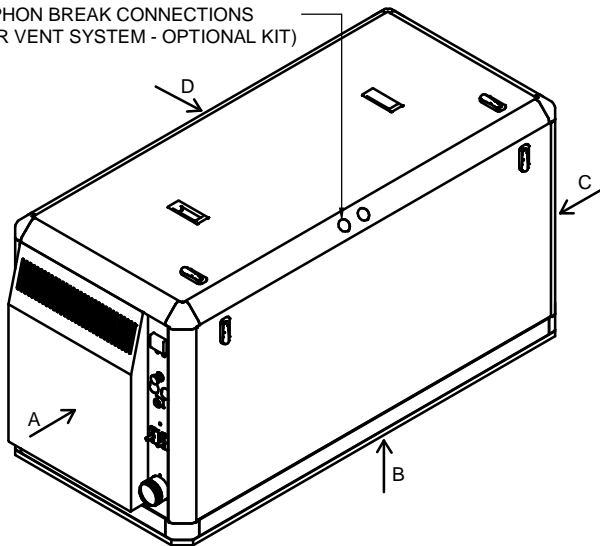


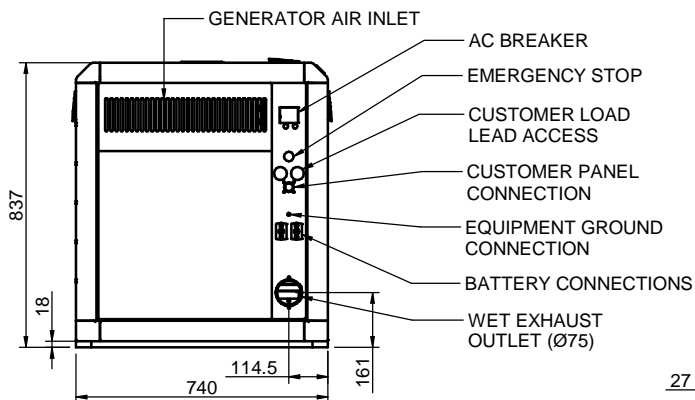
(29 GS / 32 GSA)

SIPHON BREAK CONNECTIONS
(AIR VENT SYSTEM - OPTIONAL KIT)

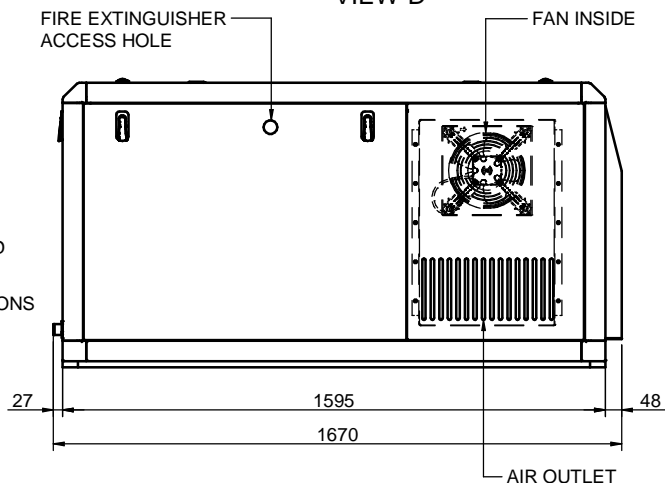


(29 GSC / 32 GSAC)

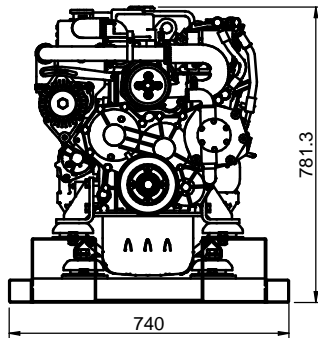
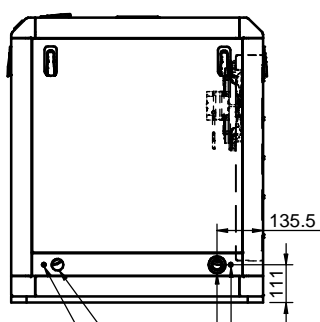
VIEW A



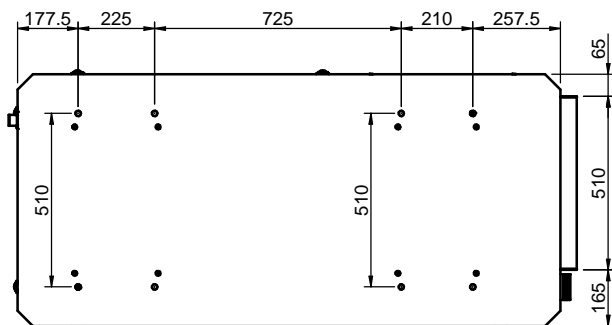
VIEW D



VIEW C



VIEW B



LEAKS COOLANT
OUTLET

SEA WATER OUTLET (Ø32)
(ONLY DRY EXHAUST)

SEA WATER INLET (Ø32)

FUEL INLET (Ø8)

GRUPO 29GS-29GSC / 32GSA-32GSAC

GENSET 29GS-29GSC / 32GSA-32GSAC

MATERIAL	ACABADO	TRATAMIENTO	PRESENTACION	ESCALA
----------	---------	-------------	--------------	--------

DIBUJADO XAVIER	VERIFICADO S. UBACH	GRADO PRECISION	FECHA CREACION 13/03/2013	ULTIMA REVISION
--------------------	------------------------	-----------------	------------------------------	-----------------



SOLÉ, S.A.

GGAB / GGMB