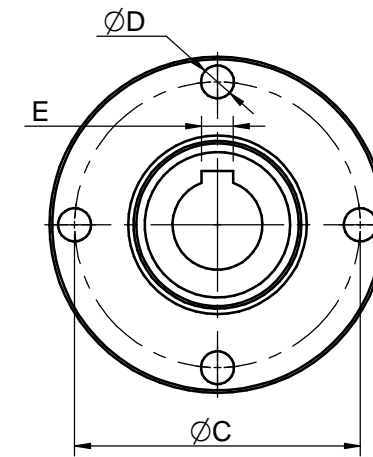
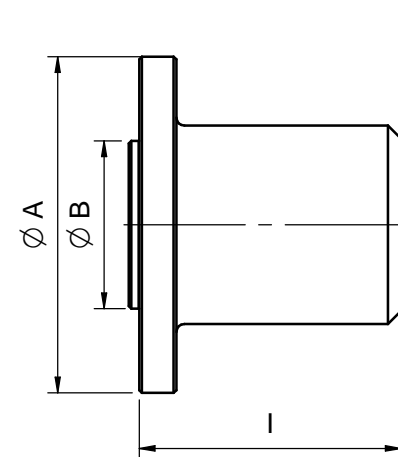


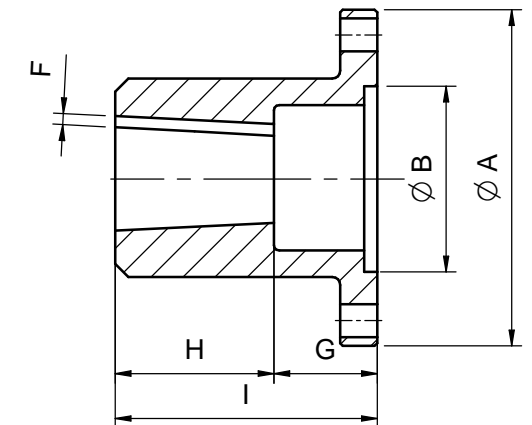
**TABLA DE DIMENSIONES Y REFERENCIAS**  
**TABLE OF DIMENSIONS AND PART NUMBERS**

∅	Tipo Type	∅ A	∅ B	∅ C	∅ D	E	F	G	H	I	Inversor Gearbox	Tipo Type	Ref.
35	A	127	63.5	108	4x∅11.5	10	3.7	24	60	84	ZF-HURTH	HBW360H, HSW450AH, HSW630AHV, ZF45A	40035005A
											Technodrive	TM345A/545A/93 TM93A/170/170A	
											PRM	PRM-160/260	
											Borg Warner	BW-71/72C VDrive	
											Volvo	MS-4, MS-1, HS-1A, HS45A, HS63AE, HS63IV	
35	A	120	65	100	4x∅10.5	10	3.7	37	60	97	Yanmar	KBW-20, KM-4A, KMH4A, KMH40A	40035006A
40	A	127	63.5	108	4x∅11.5	12	3.7	24	60	84	ZF-HURTH	HBW360H, HSW450AH, HSW630AHV	40040005A
											Technodrive	TM93A/93, TM345/345A, TM545A, TM170A/170	
											PRM	PRM-160/260	
											Borg Warner	BW-71/72C VDrive	
											Volvo	MS-4, MS-1, HS-1A, HS45A, HS63AE, HS63IV	
											Yanmar	KMH40A, KMH50A	
40	A	127	63.5	108	4x∅12	12	3.7	28	60	88	ZF	ZF-63-IV	40040008A
40	B	146	76.2	120	6x∅16.5	12	3.7	30	60	90	ZF	ZF-80A	40040006A
											Volvo	HS80EA	
45	A	127	63.5	108	4x∅11.5	14	4.2	26	60	86	ZF-HURTH	HBW360H, HSW450AH, HSW630AHV	40045005A
											Technodrive	TM93A/93, TM485A, TM345A/545A, TM170A/170	
											PRM	PRM-160/260	
											Borg Warner	BW-71/72C VDrive	
											Volvo	MS-4, HS-1, HS-1A	
											Yanmar	KMH40A, KMH50A	
45	B	146	76.2	120	6x∅16.5	14	4.2	26	60	86	Technodrive	TM265/265A	40045006A
											ZF	ZF-280A	
											TWIN DISC	MG-5061A, MG-5050A	
											Yanmar	KMH60A	
45	B	184	95.25	152.4	6x∅19.5	14	4.2	45	60	105	TWIN DISC	MG-5085A	40045007A
45	B	146	72.6	120	6x∅16.5	14	4.2	31	60	91	ZF	ZF-80A	40045009A
											Volvo	HS-80EA	
45	B	155	100	125	10x∅16.2	14	4.2	26	60	86	ZF	ZF-305A	40045010A
45	A	127	63.5	108	4x∅12	14	4.2	20	60	80	ZF	ZF-63-IV	40045011A
45	B	146	76.2	120.6	6x∅13	14	4.2	20	60	80	ZF	ZF-80IV	40045012A
45	B	121	63.5	98.42	6x∅12.5	14	4.2	26	60	86	ZF-HURTH	IRM 220A	40045013A
50	A	127	63.5	108	4x∅12	14	4.2	26	60	86	ZF-HURTH	HBW360H/ HSW450AH/ HSW630AHV	40050005A
											Technodrive	TM93A/93, TM485A, TM345A/, TM545A/545, TM170A/170	
											PRM	PRM-160/260	
											Borg Warner	BW-71/72C VDrive	
											Volvo	MS-4, HS-1, HS-1A	
											Yanmar	KMH50A	
50	B	146	76.2	120.65	6x∅16.5	14	4.2	26	60	86	Technodrive	TM265/265A	40050006A
											ZF	ZF-80A, ZF-280/280A, 220/286A	
											TWIN DISC	MG-5061A, MG-5050A	
											Yanmar	KMH60A	

**TYPE A**



**TYPE B**



∅	Tipo Type	∅ A	∅ B	∅ C	∅ D	E	F	G	H	I	Inversor Gearbox	Tipo Type	Ref.
50	A	127	63.5	108	4x∅12	14	4.2	20	60	76	ZF-HURTH	HSW/HSWE-630V	40050007A
50	B	121	63.5	98.42	6x∅12.5	14	4.2	26	60	86	ZF-HURTH	IRM-220A	40050008A
50	B	146	76.2	120.65	6x∅13	14	4.2	---	60	80	ZF-HURTH	HSW-800-VI	40050009A
50	B	155	100	125	10x∅16.2	14	4.2	26	60	86	ZF	ZF-305A	40050010A
50	B	184	95	152.4	6x∅19.5	14	4.2	45	60	105	TWIN DISC	MG-5081A MG-5085A	40050011A
50	B	155	100	125	10x∅16.2	14	4.2	50	60	110	ZF	ZF-305A	40050012A
50	B	205	140	170	10x∅18.5	14	4.2	45	60	105	ZF	ZF-325-IV	40050013A
50	B	170	115	140	12x∅16.5	14	4.2	45	60	105	ZF	ZF-325-IV	40050014A
60	B	146	76.2	120.6	6x∅16.5	18	5.3	42	68	110	Technodrive	TM265/265A	40060006A
											ZF	ZF-80A, ZF-280A	
											TWIN DISC	MG-5061A, MG-5050A	
											Yanmar	KMH60A	
60	B	184	95.25	152.4	6x∅16.5	18	5.3	42	68	110	Technodrive	TM-200	40060008A
60	B	184	95.3	152.4	8x∅16.5	18	5.3	42	68	110	ZF	ZF-311A	40060009A
60	B	155	100	125	10x∅16.5	18	5.3	42	68	110	ZF	ZF-305A	40060013A
60	A	127	63.5	108	4x∅12	18	5.3	24	66	90	Technodrive	TM345/345A/545A/93/93A TM170/170A TM485A	40060014A
											ZF	ZF-63A	
60	A	127	63.5	108	4x∅12	18	5.3	---	68	64	ZF	ZF-63-IV	40060017A

Cotas en mm; Cono: 1:10  
Dimensions in mm; Cone 1:10

PLATINA CÓNICA				
HALF COUPLINGS				
MATERIAL	ACABADO	TRATAMIENTO	PRESENTACION	ESCALA
				1:1
DIBUJADO	VERIFICADO	GRADO PRECISIÓN	FECHA CREACIÓN	ÚLTIMA REVISIÓN
XAVIER	S.SUBACH		11/03/2013	
		<b>SOLE, S.A.</b>		<b>1721</b>