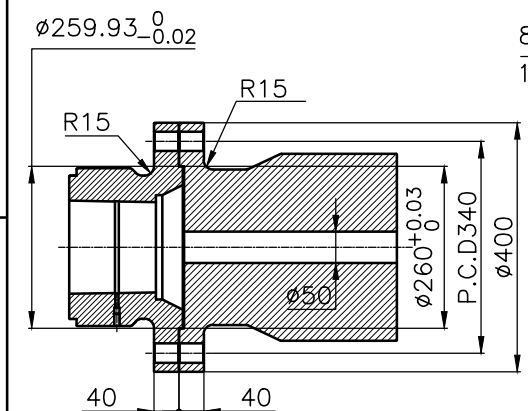
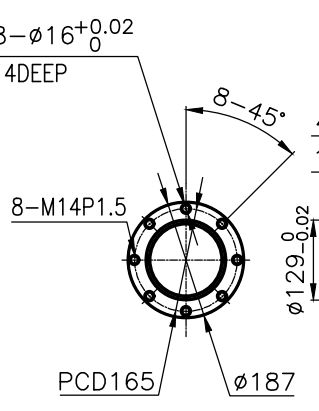


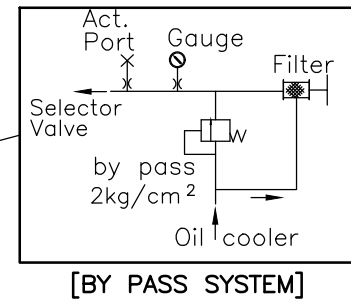
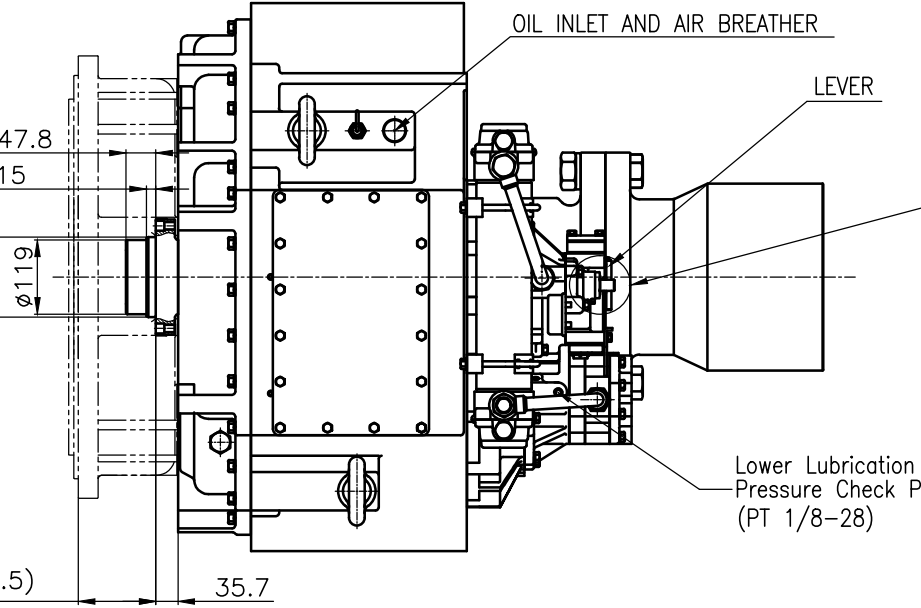
000 67000GBLA-E-018CFR ON DWG



OUTPUT SHAFT COUPLING & PROPELLER COUPLING DIMENSION



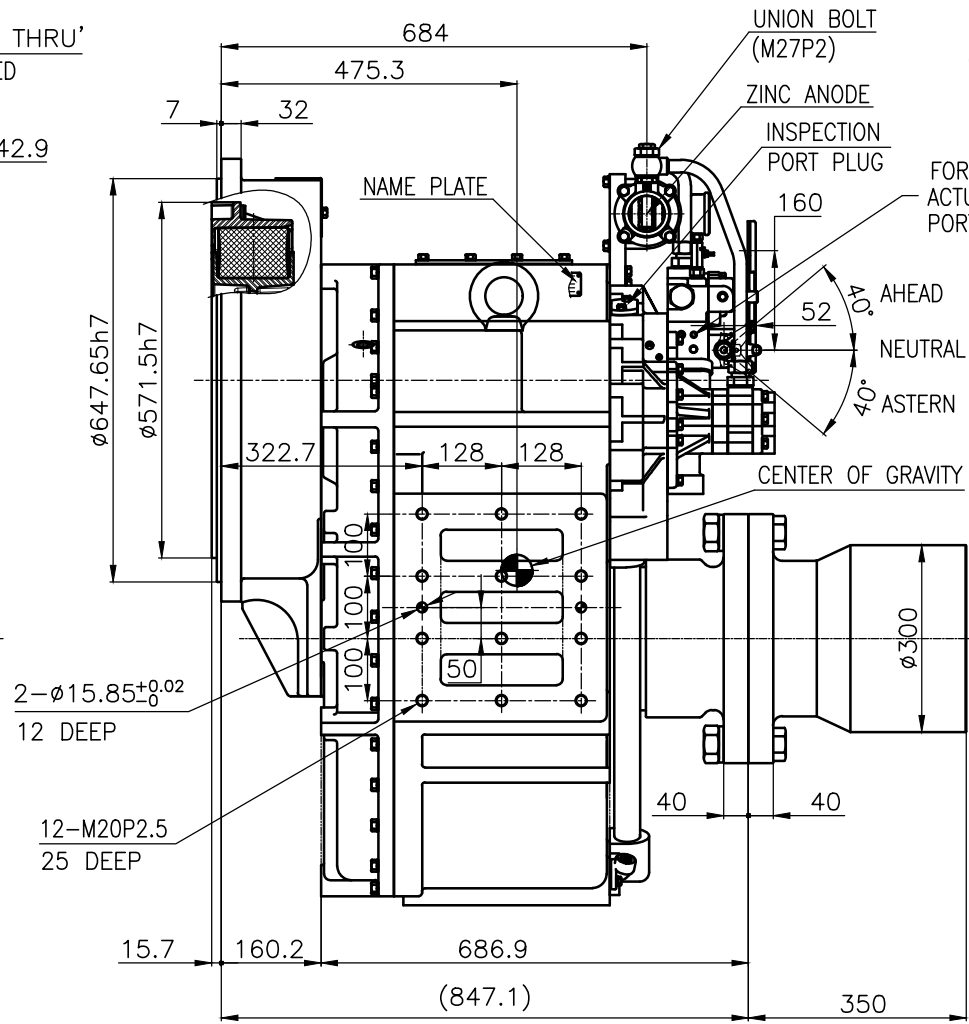
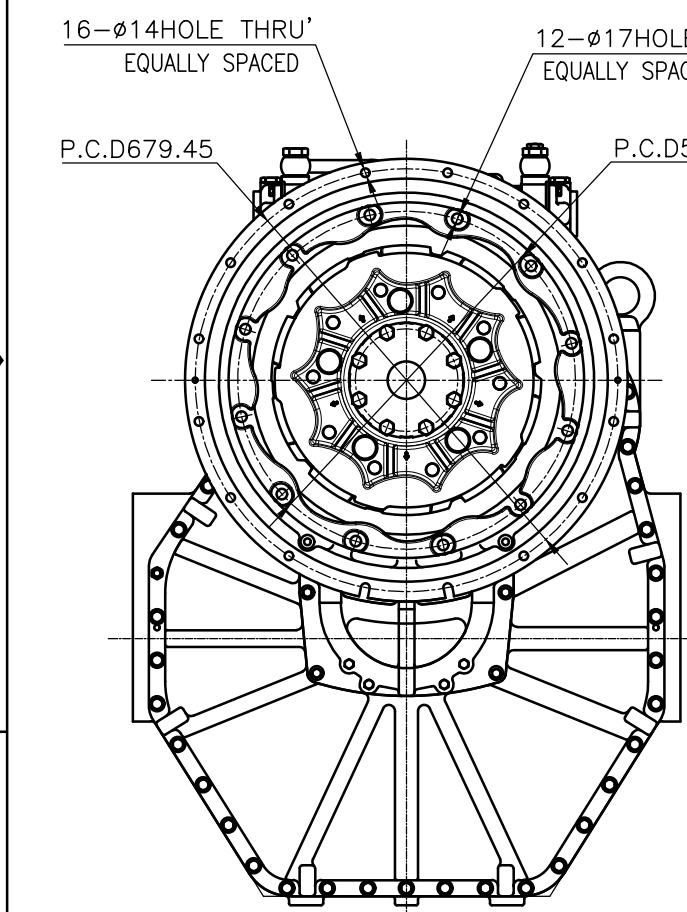
INPUT COUPLING DIMENSION



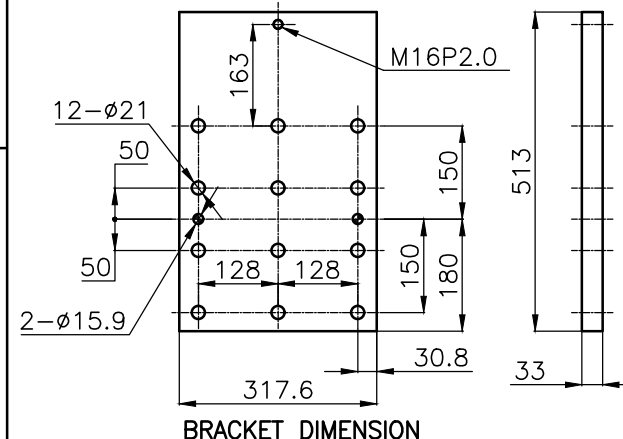
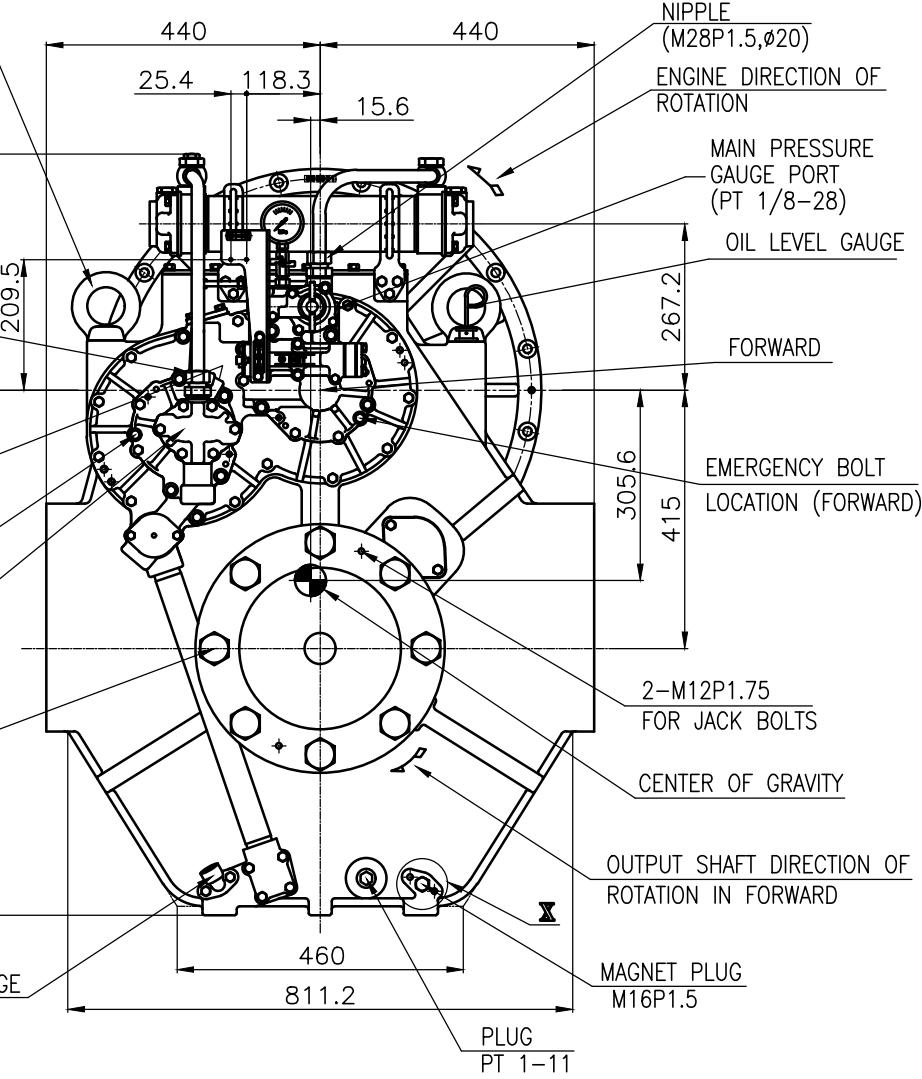
[BY PASS SYSTEM]

DMT600BL MARINE TRANSMISSION SPECIFICATION

GEAR RATIO	4.12, 4.48, 5.11, 5.62, 5.91		
TOTAL WEIGHT	APPROX. 1605kg (DRY, EXCEPT FOR PROPELLER COUPLING, PPcoupling weight 184kg)		
OIL CAPACITY	APPROX. 37 L		
OIL VISCOSITY	SAE # 30		
OIL PRESSURE	2.16 ~ 2.64 MPa	CLUTCH OIL	
DIRECTION OF ROTATION	INPUT	C.C.W VIEWED FROM THE STERN	
	OUTPUT	C.W VIEWED FROM THE STERN	
OIL CHANGE INTERVAL	THE FIRST 100HOURS OF INITIAL OPERATION AND EVERY 1000HOURS THEREAFTER		
SHIFTING LIMIT	UNDER 50% OF THE RATED ENGINE SPEED		
OIL COOLER	WATER FLOW	100 ~ 200 L/min	TEMPERATURE OF COOLING WATER
			MAX 32°C
OPERATING TORQUE OF SHIFTING LEVER	UNDER 2.94Nm		



EYEBOLT FOR LIFTING MARINE TRANSMISSION (2-BOLTS ONE EACH SIDE)



BRACKET DIMENSION

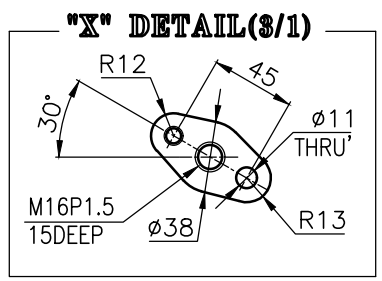
REMARK

1. HOUSING : SAE# 0

2. DRIVING RING : SAE 18"

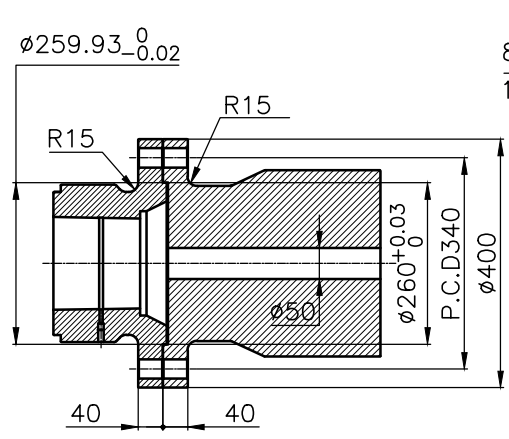
3. COUPLING TYPE

CENTA FLEX COUPLING: 77520802

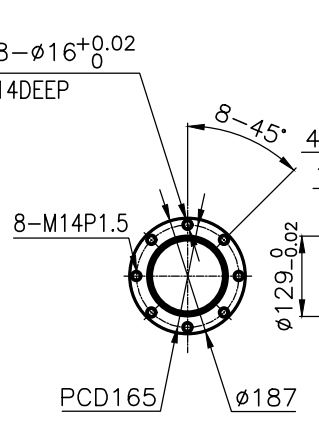


공통공차 TOLERANCE ON				PART NO.		PART NAME		개수 Q'TY	재질 MATERIAL	구 Size	비고 REMARKS
분수 FRACTIONS	소수 DECIMALS	각도 ANGLES	±	제 MATERIAL	적용 DATE	척도 SCALE	형식 TYPE		원도 번호 ORIGINAL DWG. NO.		
±	±	±	±		2019.11.28	1/1	DMT600BL				
				승인 APPROVED BY	검토 CHECKED BY	제도 DRAWN	설계 DESIGNED		MARINE TRANSMISSION		
						KC.Yoon			67000GBLA-E-018CFR		
									000		
				D-I INDUSTRIAL			크기 SIZE	A 8	코드 번호 CODE ID. NO.		

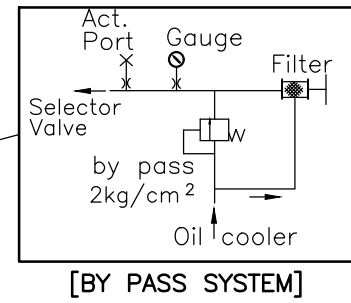
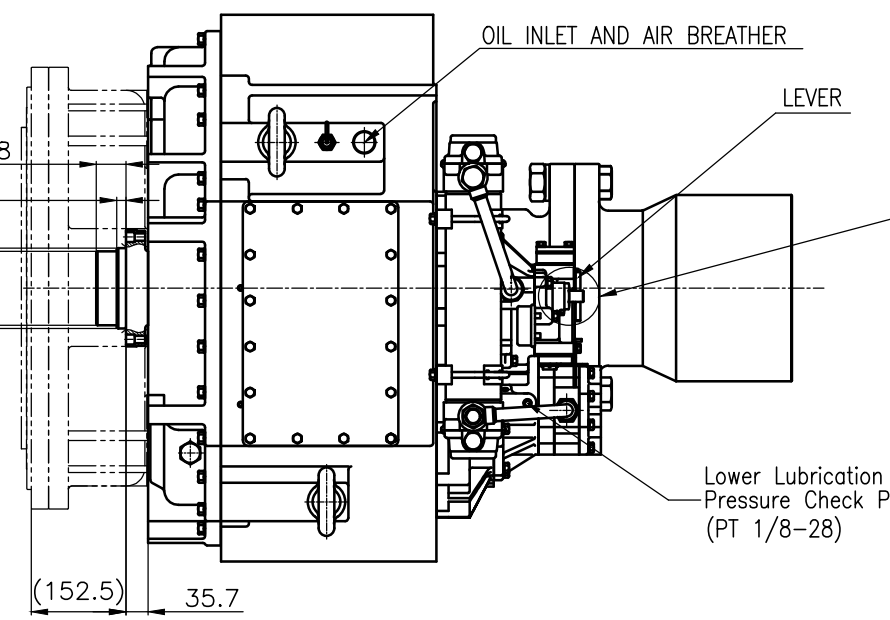
DMT600BL MARINE TRANSMISSION SPECIFICATION	
GEAR RATIO	4.12, 4.48, 5.11, 5.62, 5.91
TOTAL WEIGHT	APPROX. 1645Kg (DRY, EXCEPT FOR PROPELLER COUPLING, PPcoupling weight 184kg)
OIL CAPACITY	APPROX. 37 L
OIL VISCOSITY	SAE # 30
OIL PRESSURE	2.16 ~ 2.64 MPa CLUTCH OIL
DIRECTION OF ROTATION	INPUT C.C.W VIEWED FROM THE STERN
IN FORWARD	OUTPUT C.W VIEWED FROM THE STERN
OIL CHANGE INTERVAL	THE FIRST 100HOURS OF INITIAL OPERATION AND EVERY 1000HOURS THEREAFTER
SHIFTING LIMIT	UNDER 50% OF THE RATED ENGINE SPEED
OIL COOLER	WATER FLOW 100 ~ 200 L/min TEMPERATURE OF COOLING WATER MAX 32°C
OPERATING TORQUE OF SHIFTING LEVER	UNDER 2.94Nm



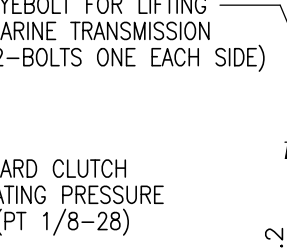
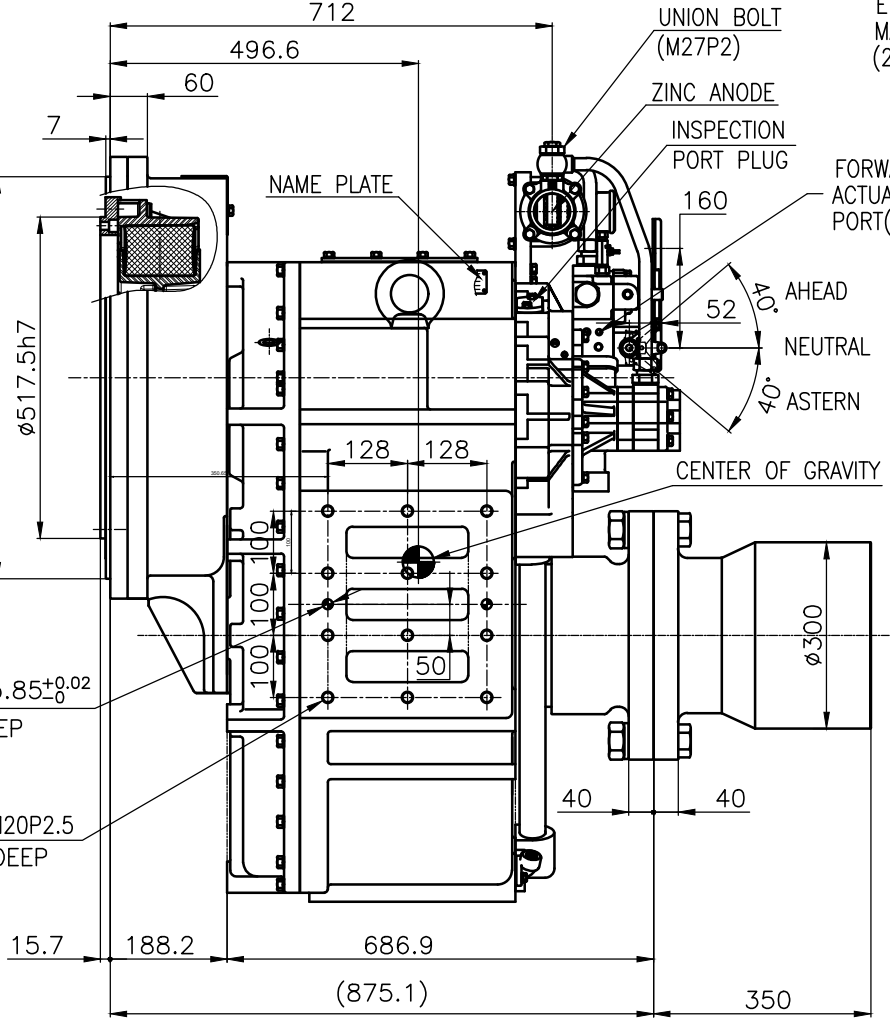
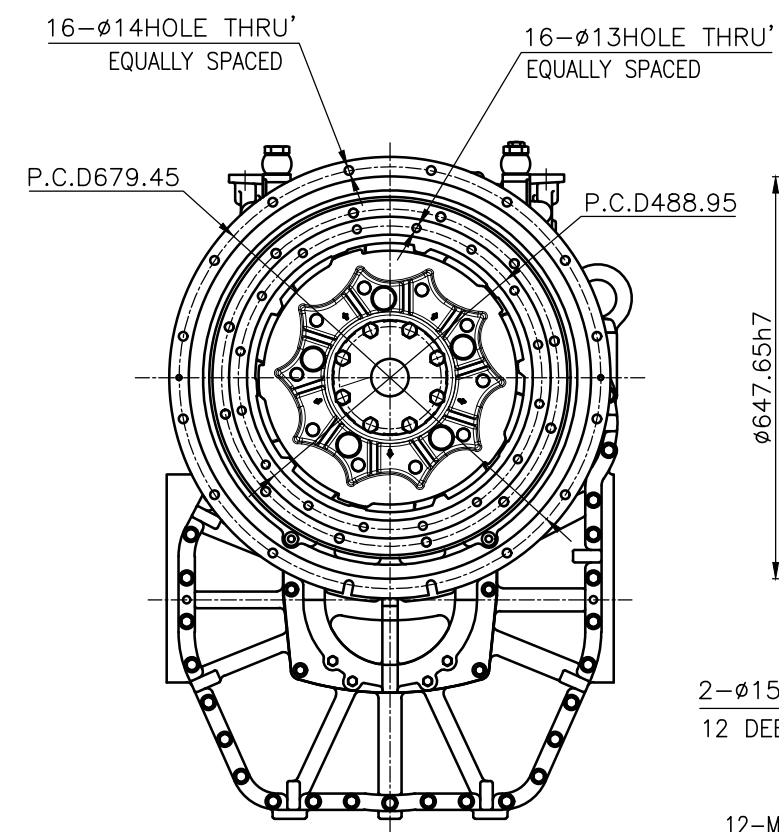
OUTPUT SHAFT COUPLING & PROPELLER COUPLING DIMENSION



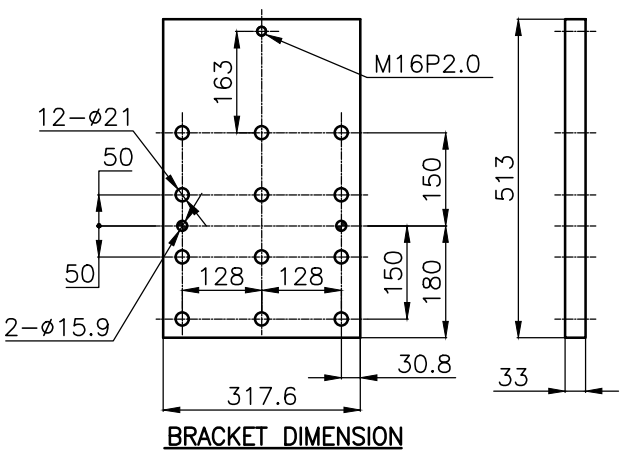
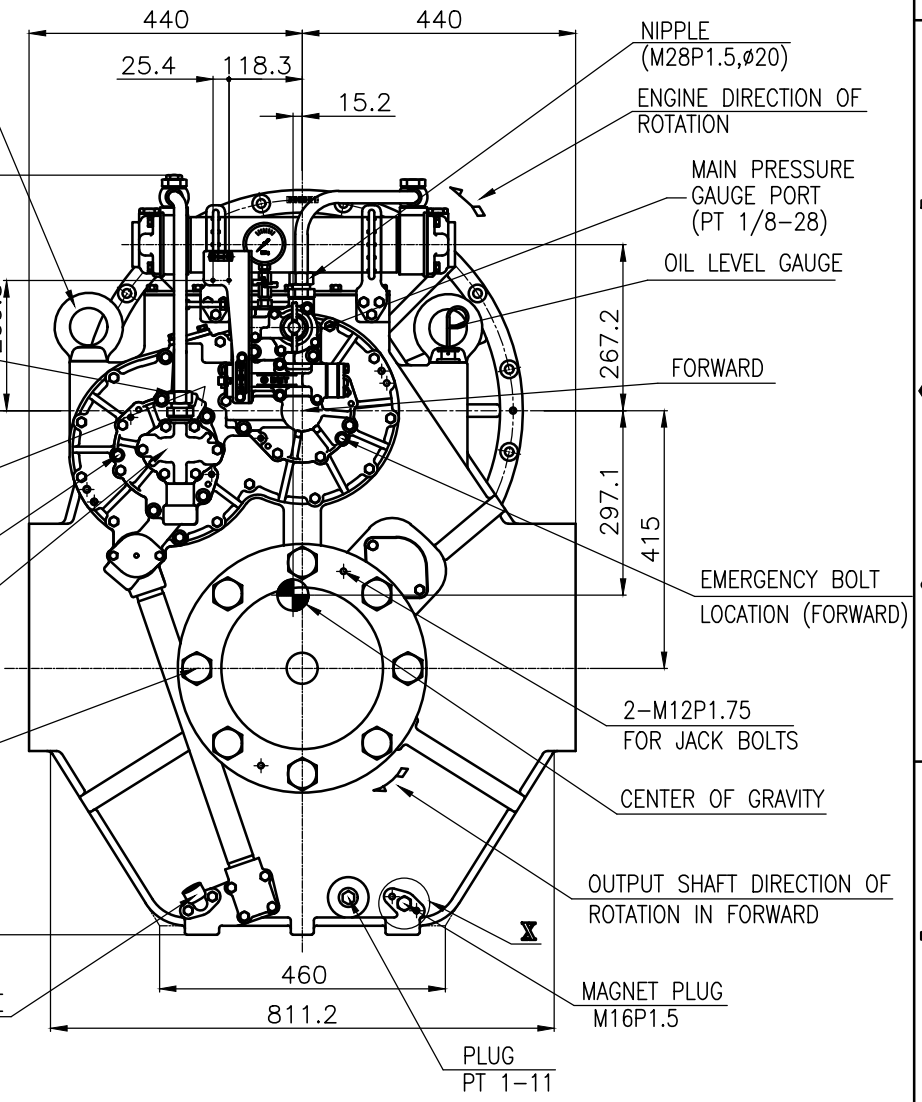
INPUT COUPLING DIMENSION



[BY PASS SYSTEM]

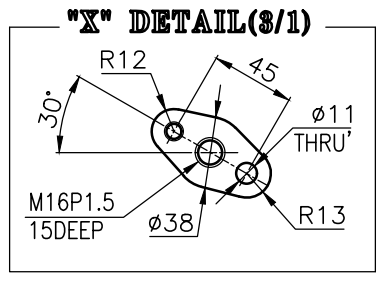


EYEBOLT FOR LIFTING MARINE TRANSMISSION (2-BOLTS ONE EACH SIDE)



BRACKET DIMENSION

REMARK
 1. HOUSING : SAE# 0
 2. DRIVING RING : SAE 16"
 3. COUPLING TYPE
 CENTA FLEX COUPLING: 77520802
 DUMMY: 550951, 77520890



"X" DETAIL(3/1)

공통공차 TOLERANCE ON		公差		公差		公差		公差		公差		公差		公差	
분수	소수	각도	분수	소수	각도	분수	소수	각도	분수	소수	각도	분수	소수	각도	분수
±	±	±	±	±	±	±	±	±	±	±	±	±	±	±	±
1초과 4 이하	±0.3	±0.1	±0.05												
4 16	±0.5	±0.2	±0.07												
16 63	±0.7	±0.3	±0.1												
63 250	±1.2	±0.5	±0.2												
250 1000	±2.0	±0.8	±0.3												

번호	PART NO.	PART NAME	개수	재질	규격	비고

입력	구분	조급	종급	정급
1	초과 4 이하	±0.3	±0.1	±0.05
4	16	±0.5	±0.2	±0.07
16	63	±0.7	±0.3	±0.1
63	250	±1.2	±0.5	±0.2
250	1000	±2.0	±0.8	±0.3

번호	DATE	SCALE	TYPE	NAME	DWG. NO.	REV.
	2019.11.28	1/1		KC.Yoon	67000GBLA~E-016CFR	000

D-I INDUSTRIAL		크기	코드 번호
		A 8	CODE ID. NO.