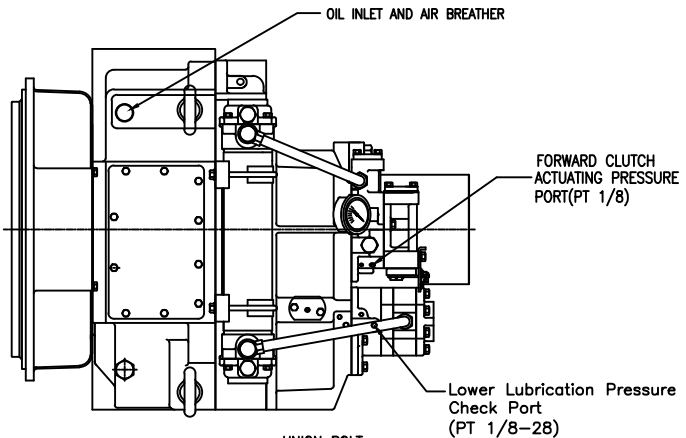
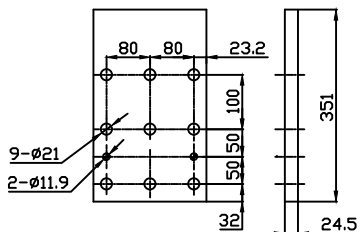
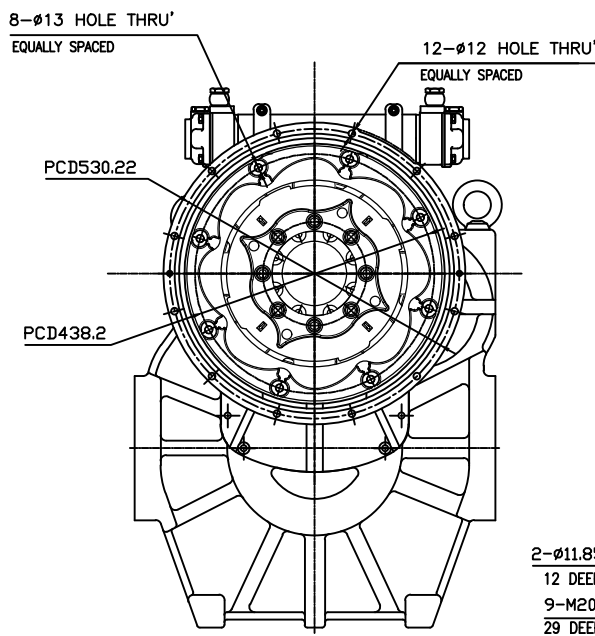


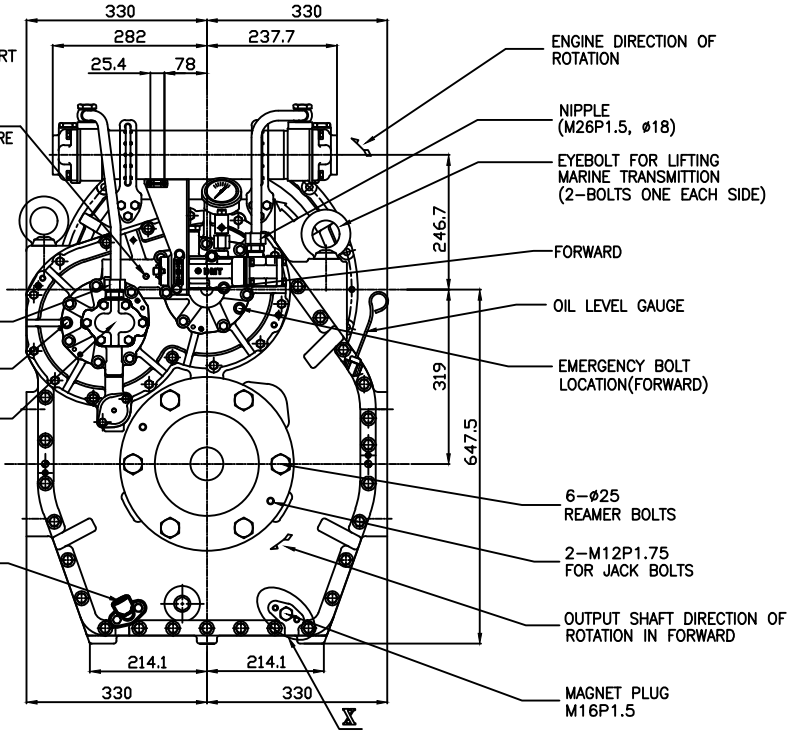
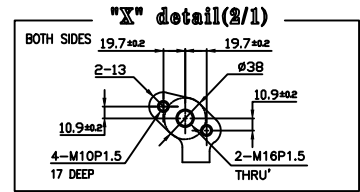
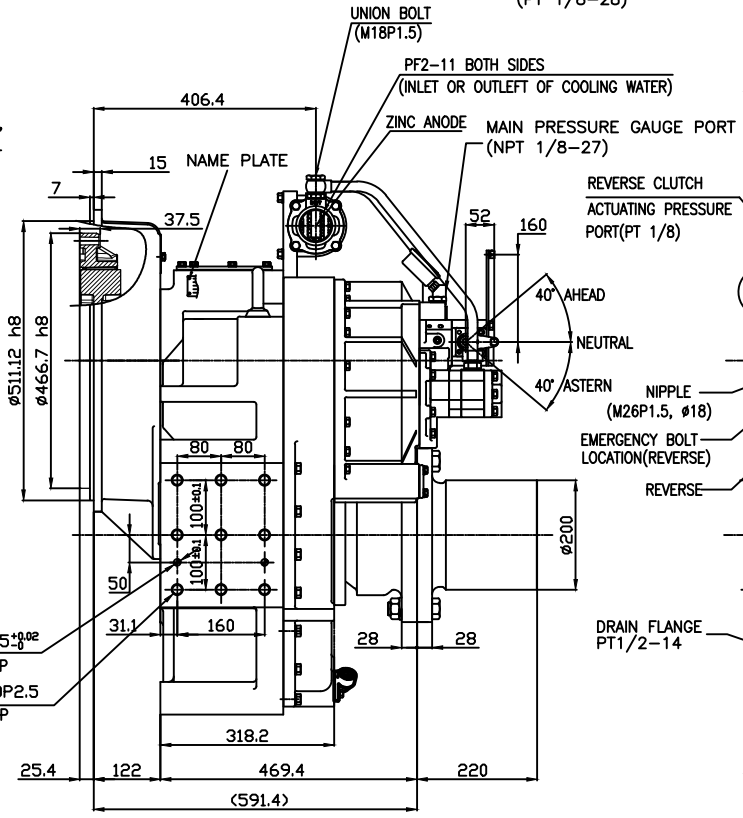
OUTPUT SHAFT COUPLING & PROPELLER COUPLING DIMENSION



DMT330DL MARINE TRANSMISSION SPECIFICATION	
GEAR RATIO	2.61, 3.10, 3.56, 4.13, 4.59
TOTAL WEIGHT	APPROX. 768 Kg(DRY)
OIL CAPACITY	APPROX. 17.5 L
OIL VISCOSITY	SAE #30
OIL PRESSURE	1.96 ~ 2.54 MPa CLUTCH OIL
DIRECTION OF ROTATION IN FORWARD	INPUT C.C.W VIEWED FROM THE STERN OUTPUT C.W VIEWED FROM THE STERN
OIL CHANGE INTERVAL	THE FIRST 100HOURS OF INITIAL OPERATION AND EVERY 1000HOURS THEREAFTER
SHIFTING LIMIT	UNDER 50% OF THE RATED ENGINE SPEED
OIL COOLER	WATER FLOW 90 ~ 120L/m TEMPERATURE OF COOLING WATER MAX 32°
OPERATING TORQUE OF SHIFTING LEVER	UNDER 2.94Nm

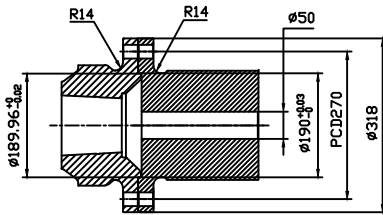


REMARK  
 1. HOUSING : SAE# 1  
 2. DRIVING RING : SAE 14"  
 3. COULING TYPE  
 -CENTA Flex Coupling : 77268801

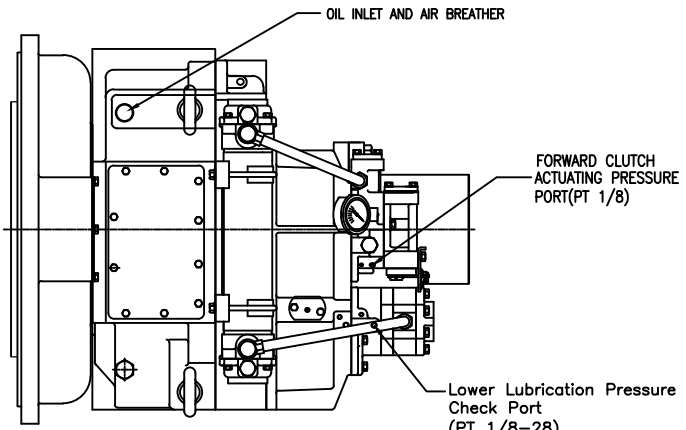


공정명칭	TOLERANCE ON	번호	PART NO.	PART NAME	개수	재료	규격	비고
분수	FRACTIONS	소수	DECIMALS	각도	ANGLES	작성 DATE 2018.06.08		
±	±	±	±	±	±	SCALE	1/1	TYPE
±	±	±	±	±	±	APPROVED BY	DESIGNED	NAME
±	±	±	±	±	±	CHECKED BY	DRAWN	NAME
±	±	±	±	±	±	TW.KIM		DWG. NO.
±	±	±	±	±	±	33000GDLA-E-114CFR		계량(REV.)
±	±	±	±	±	±	000		000
±	±	±	±	±	±	D-I INDUSTRIAL		크기
±	±	±	±	±	±	A 0		코드 번호
±	±	±	±	±	±	SIZE		CODE ID. NO.

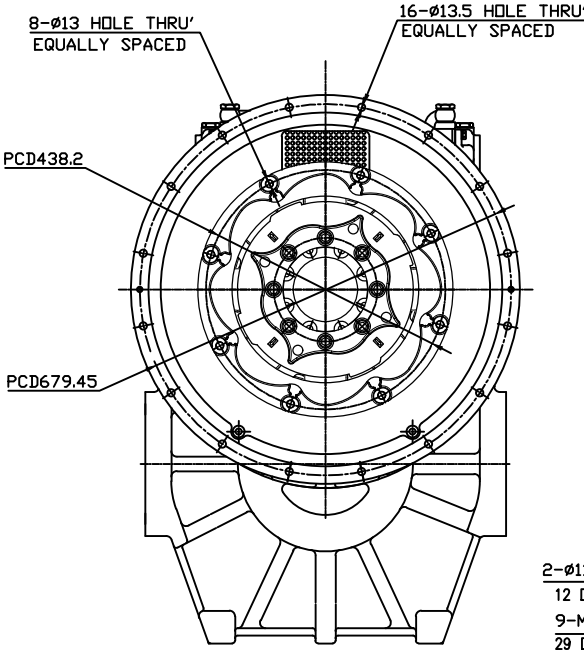




OUTPUT SHAFT COUPLING & PROPELLER COUPLING DIMENSION

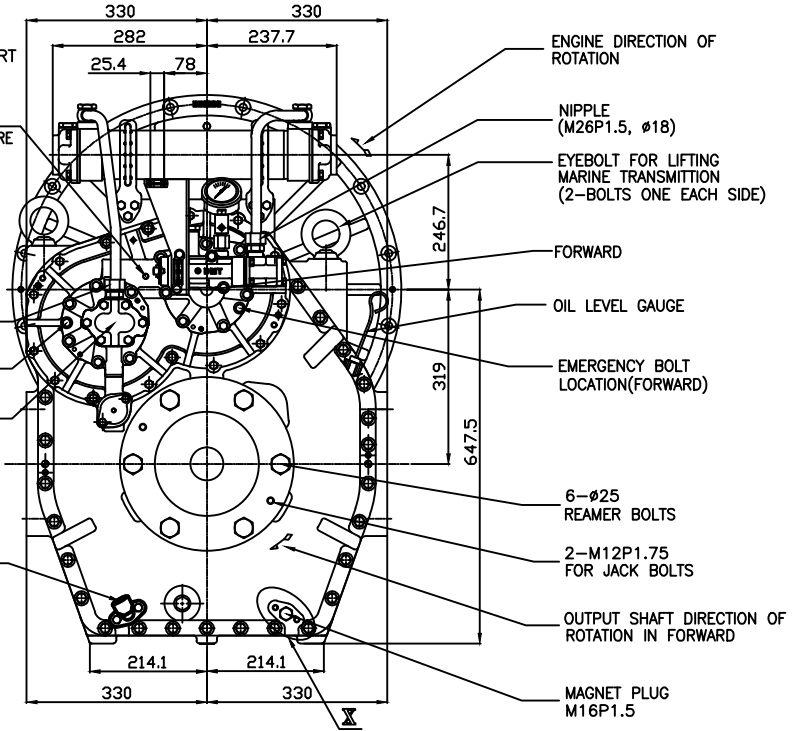
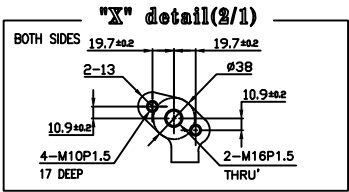
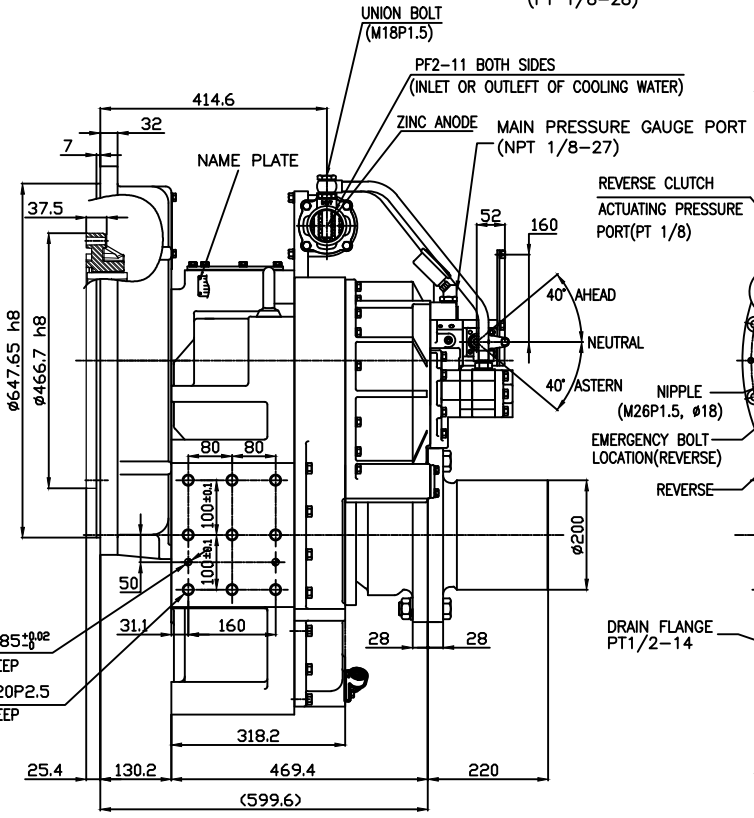
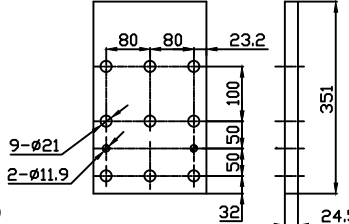


DMT330DL MARINE TRANSMISSION SPECIFICATION	
GEAR RATIO	2.61, 3.10, 3.56, 4.13, 4.59
TOTAL WEIGHT	APPROX. 806 Kg(DRY)
OIL CAPACITY	APPROX. 17.5 L
OIL VISCOSITY	SAE # 30
OIL PRESSURE	1.96 ~ 2.54 MPa CLUTCH OIL
DIRECTION OF ROTATION IN FORWARD	INPUT C.C.W VIEWED FROM THE STERN OUTPUT C.W VIEWED FROM THE STERN
OIL CHANGE INTERVAL	THE FIRST 100HOURS OF INITIAL OPERATION AND EVERY 1000HOURS THEREAFTER
SHIFTING LIMIT	UNDER 50% OF THE RATED ENGINE SPEED
OIL COOLER	WATER FLOW 90 ~ 120L/m TEMPERATURE OF COOLING WATER MAX 32°
OPERATING TORQUE OF SHIFTING LEVER	UNDER 2.94Nm



REMARK  
 1. HOUSING : SAE# 0  
 2. DRIVING RING : SAE 14"  
 3. COULING TYPE  
 -CENTA Flex Coupling : 77268803

BRACKET DIMENSION



공정명칭	TOLERANCE ON	번호	PART NO.	PART NAME	개수	재질	규격	비고
분수	DECIMALS	각도	MATERIAL					
±	±	±	DATE 2018.06.08 SCALE 1/1					
APPROVED BY	CHECKED BY	DESIGNED	NAME TW.KIM					
1	16	63	250	1000	±0.3	±0.1	±0.05	±0.07
4	16	63	250	1000	±0.5	±0.2	±0.07	±0.1
16	63	250	1000	1000	±0.7	±0.3	±0.1	±0.2
63	250	1000	1000	1000	±1.2	±0.5	±0.2	±0.3
250	1000	1000	1000	1000	±2.0	±0.8	±0.3	±0.3

TYPE	DMT330DL	ORIGINAL DWG. NO.
NAME	MARINE TRANSMISSION	
DWG. NO.	33000GDLA-E-014CFR	000
SIZE	A0	CODE ID. NO.

