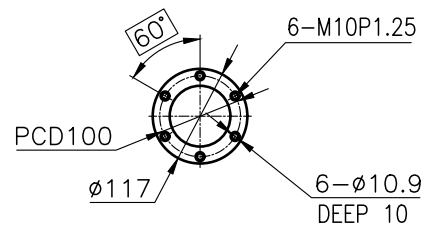
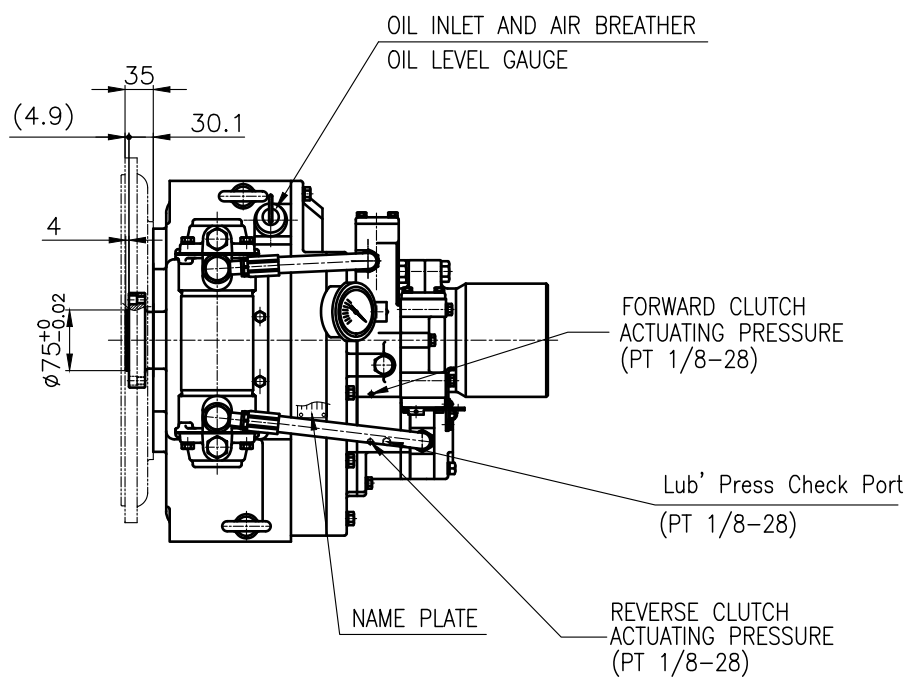


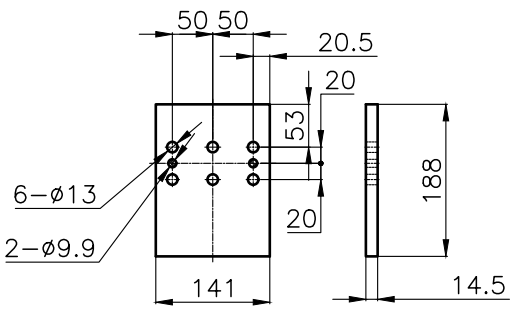
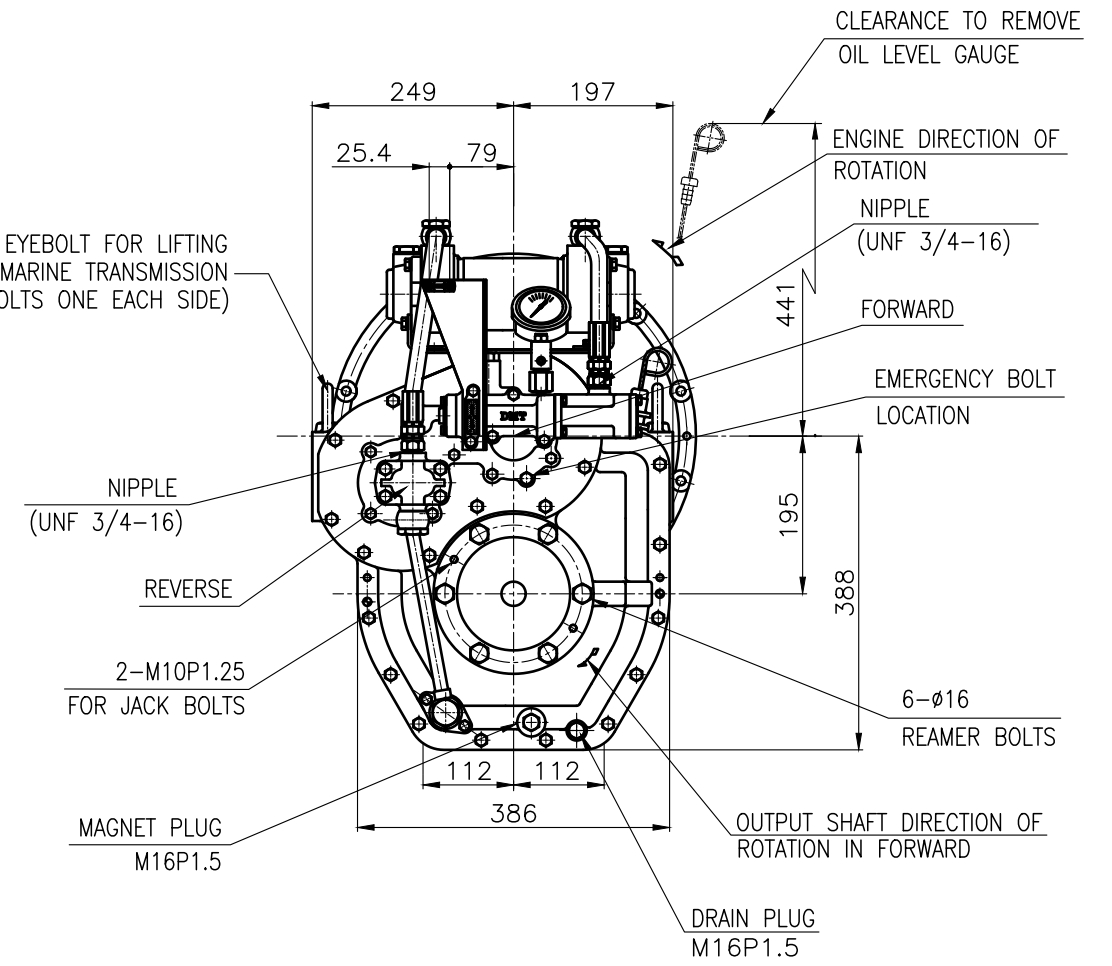
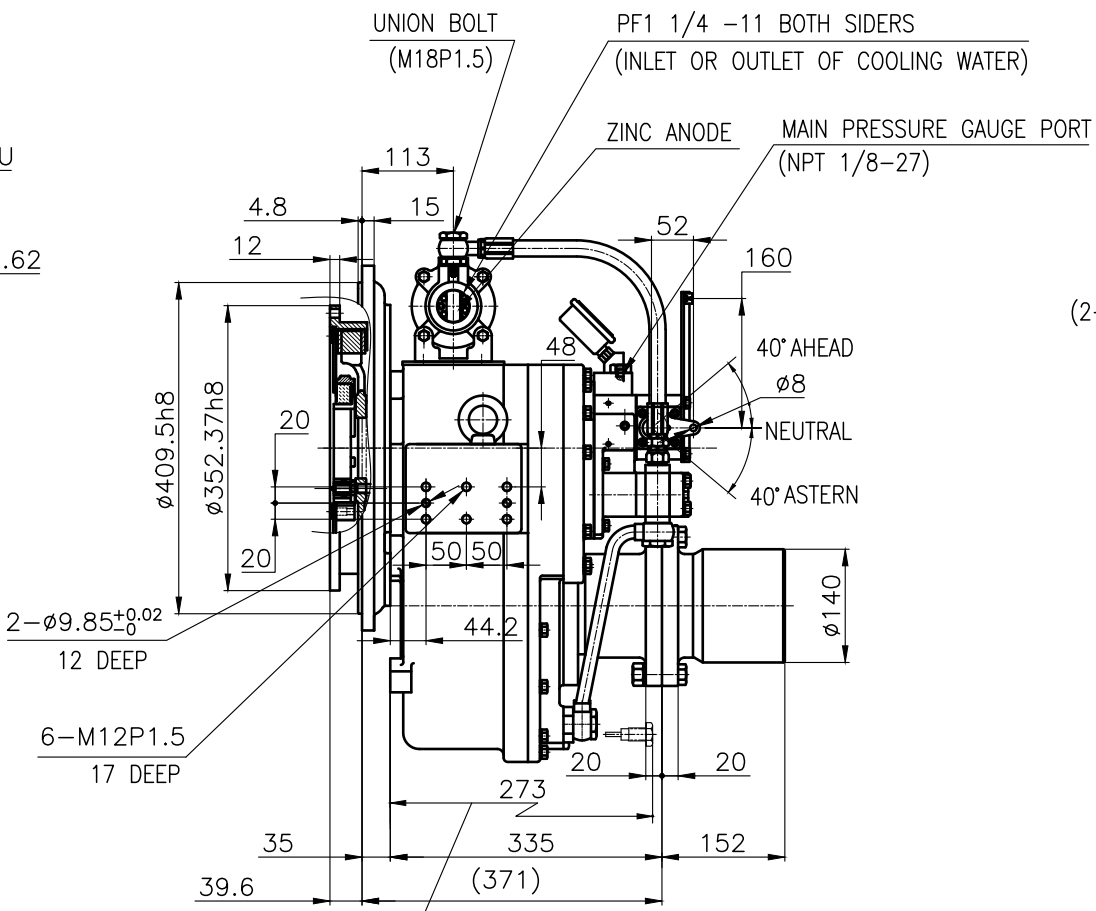
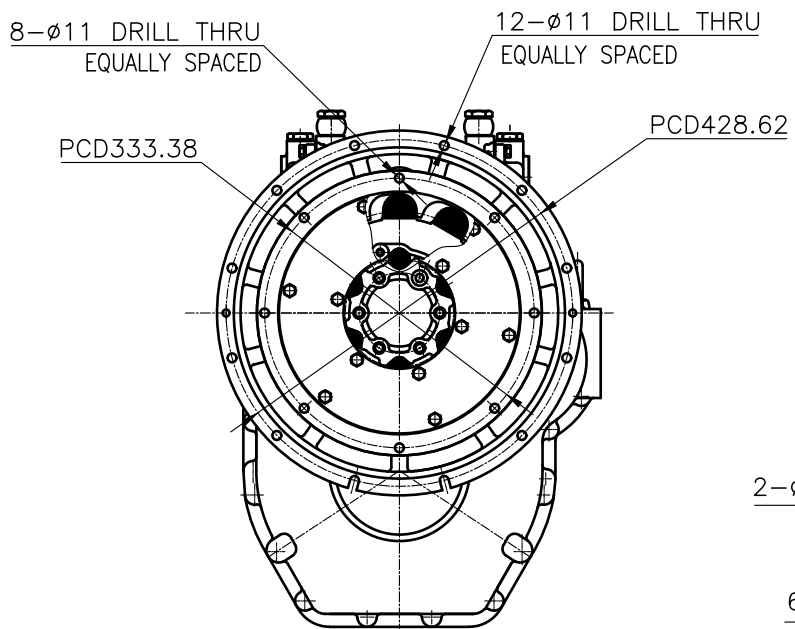
OUTPUT SHAFT COUPLING & PROPELLER COUPLING DIMENSION



INPUT COUPLING DIMENSION



DMT 110A MARINE TRANSMISSION SPECIFICATION			
GEAR RATIO	1.77	2.09	2.42 2.82 3.19 3.81
TOTAL WEIGHT	APPROX. 212 kg(DRY)		
OIL CAPACITY	APPROX. 4 L		
OIL VISCOSITY	SAE # 30		
OIL PRESSURE	1.96 ~ 2.54 MPa	CLUTCH OIL	
DIRECTION OF ROTATION	INPUT	C.C.W VIEWED FROM THE STERN	
	OUTPUT	C.W VIEWED FROM THE STERN	
OIL CHANGE INTERVAL	THE FIRST 100HOURS OF INITIAL OPERATION AND EVERY 1000HOURS THEREAFTER		
SHIFTING LIMIT	UNDER 50% OF THE RATED ENGINE SPEED		
OIL COOLER	WATER FLOW 40 ~ 60L/min		TEMPERATURE OF COOLING WATER MAX 32°C
	OPERATING TORQUE OF SHIFTING LEVER		UNDER 2.94Nm



BRACKET DIMENSION

- REMARK (HOT)
- 1.HOUSING: SAE#3
 - 2.DRIVING RING: SAE 11.5"
 - 3.COUPLING TYPE : DUAL STAGE
 - 4.APPLICATION ENGINE : STANDARD

公差公差 TOLERANCE ON				번호 NO.	품 PART NO.	품 PART 명	개수 Q'TY	재 MATERIAL	규 SIZE	비 REMARKS	
분수 FRACTIONS	소수 DECIMALS	각도 ANGLES	± ± ±	제 MATERIAL			형 식 TYPE	DMT110A ORIGINAL DWG. NO.			
±	±	±	±	작성 DATE 2018.06.20	척도 SCALE N/S	승 인 APPROVED BY JK.Kim	검 도 CHECKED BY TH.Cha	제 도 DRAWN MA.Kim	설 계 DESIGNED	품 명 NAME MARINE TRANSMISSION	
일 구 분	조 급	중 급	정 급	D-I INDUSTRIAL			도 번 DWG. NO. 11000GA~E-3115DCH	개 정 (REV.) 000	크 기 SIZE A 3 코-드 번호 CODE ID. NO.		
1 초과 4 이하	± 0.3	± 0.1	± 0.05								
4 16	± 0.5	± 0.2	± 0.07								
16 63	± 0.7	± 0.3	± 0.1								
63 250	± 1.2	± 0.5	± 0.2								
250 1000	± 2.0	± 0.8	± 0.3								

