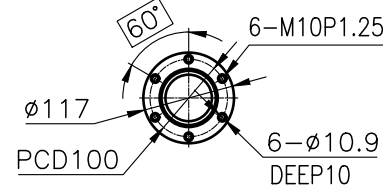
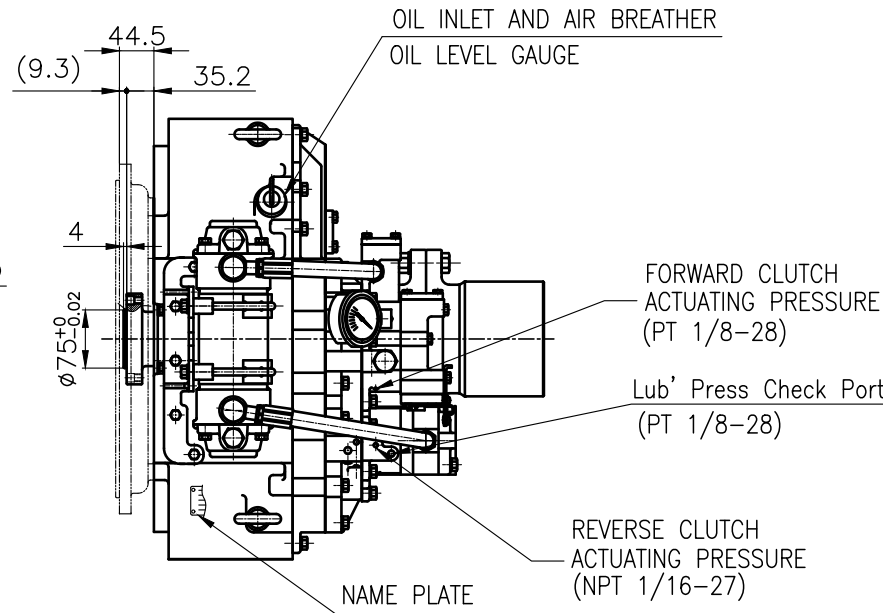


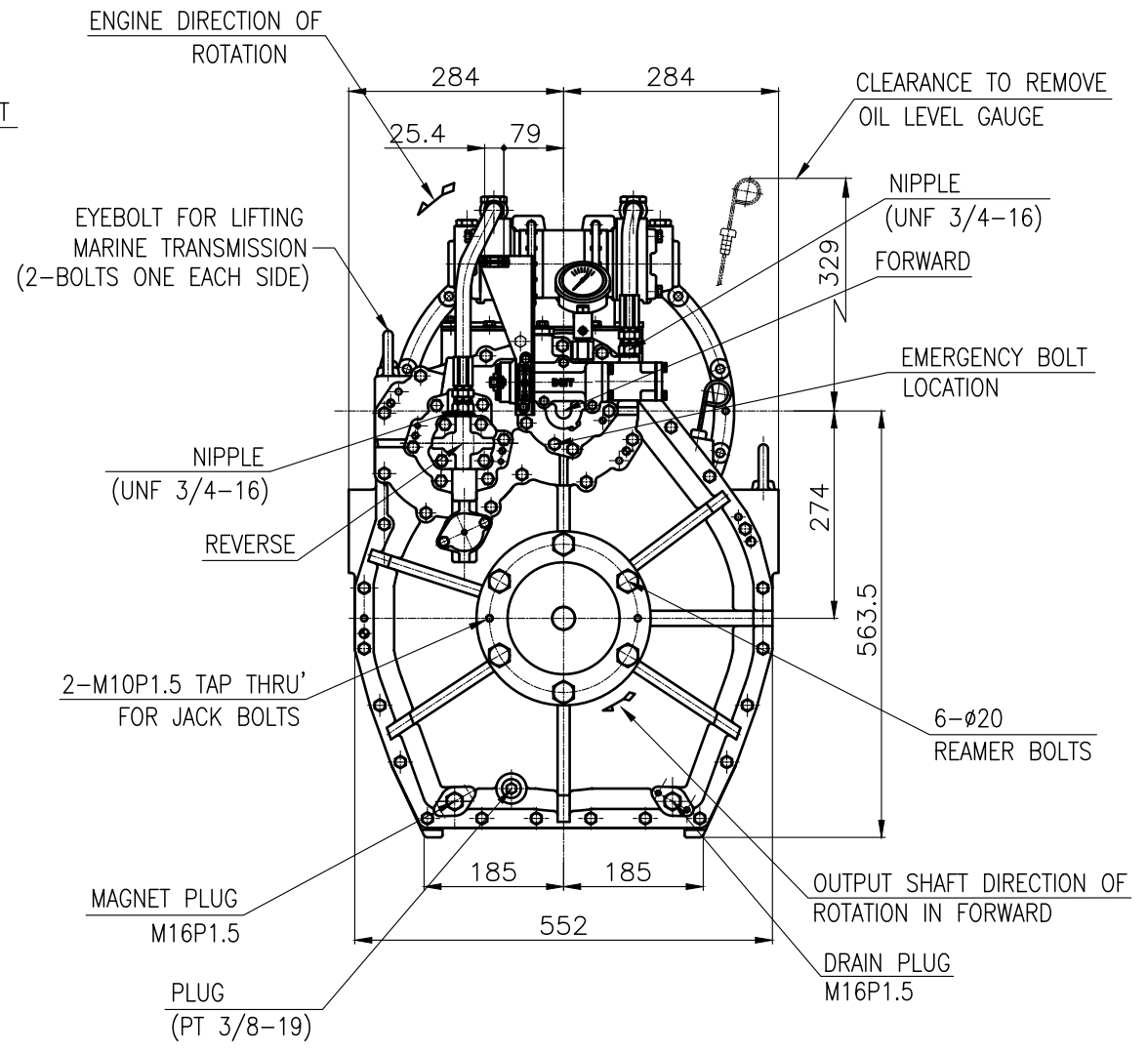
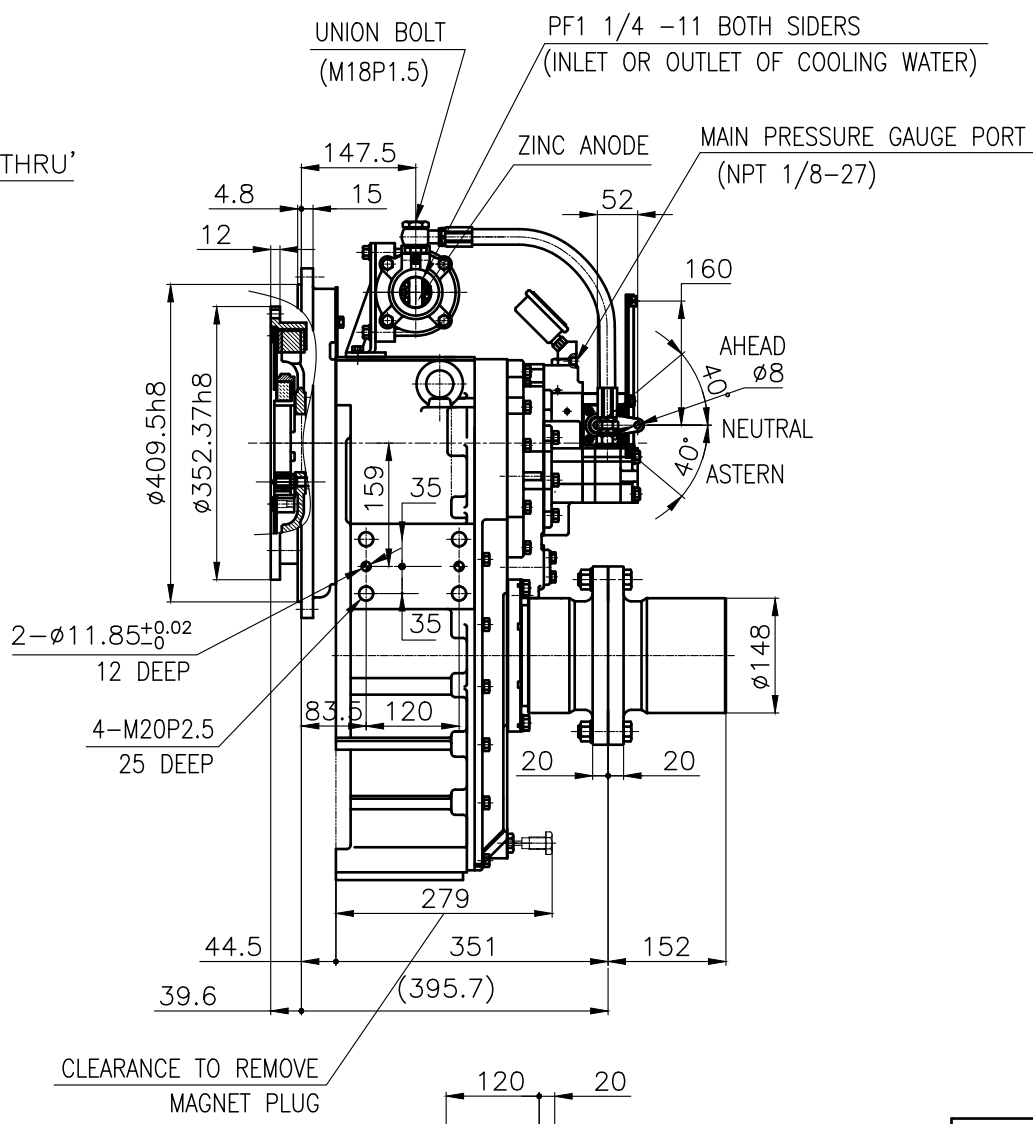
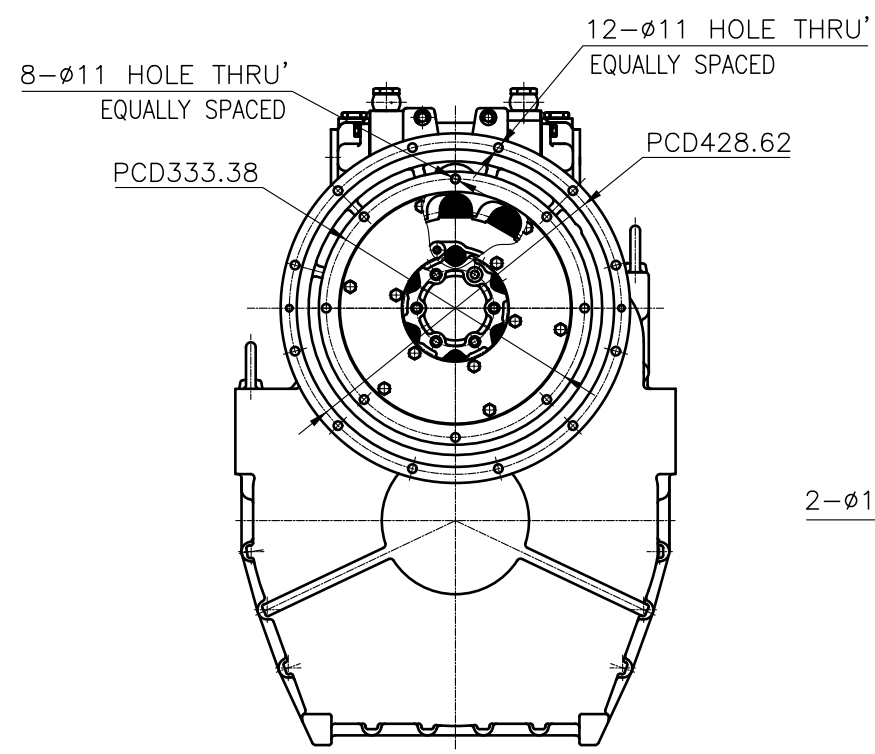
OUTPUT SHAFT COUPLING & PROPELLER COUPLING DIMENSION



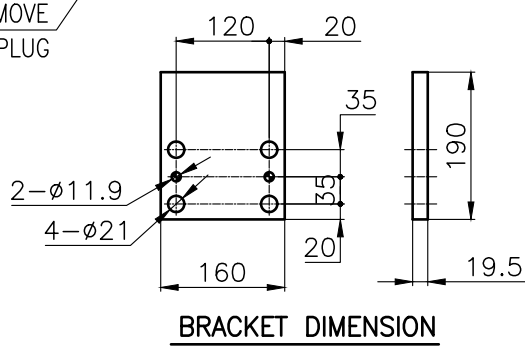
INPUT COUPLING DIMENSION



DMT 135HL MARINE TRANSMISSION SPECIFICATION			
GEAR RATIO	4.07, 4.50, 4.95		
TOTAL WEIGHT	APPROX. 263 kg(DRY)		
OIL CAPACITY	APPROX. 9.5L		
OIL VISCOSITY	SAE # 30		
OIL PRESSURE	1.96 ~ 2.54 MPa	CLUTCH OIL	
DIRECTION OF ROTATION	INPUT	C.C.W VIEWED FROM THE STERN	
	OUTPUT	C.W VIEWED FROM THE STERN	
OIL CHANGE INTERVAL	THE FIRST 100HOURS OF INITIAL OPERATION AND EVERY 1000HOURS THEREAFTER		
SHIFTING LIMIT	UNDER 50% OF THE RATED ENGINE SPEED		
OIL COOLER	WATER FLOW 40 ~ 60L/min		TEMPERATURE OF COOLING WATER MAX 32°C
	OPERATING TORQUE OF SHIFTING LEVER		UNDER 2.94Nm



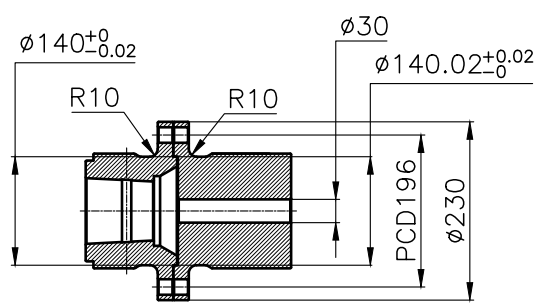
- REMARK (HOT)
- 1.HOUSING: SAE#3
 - 2.DRIVING RING: SAE 11.5"
 - 3.COUPLING TYPE : DUAL STAGE
 - 4.APPLICATION ENGINE : STANDARD



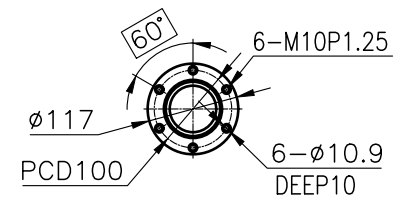
BRACKET DIMENSION

공통공차 TOLERANCE ON				번호 NO.		PART NO.		PART NAME		개수 QTY		재질 MATERIAL		규격 SIZE		비고 REMARKS	
분수 FRACTIONS	소수 DECIMALS	각도 ANGLES	±	원도 NO.	작성 DATE	척도 SCALE	형식 TYPE	DMT135HL		원도 번호 ORIGINAL DWG. NO.		MARINE TRANSMISSION		도 번호 DWG. NO.		000	
± 0.1	± 0.05	± 0.1	± 0.05	1 초과 4 이하	2018.06.20	N/S	품명 NAME	MARINE TRANSMISSION		도 번호 DWG. NO.		13500GH~C-3115DCH		개정(REV.)		000	
± 0.2	± 0.1	± 0.2	± 0.07	4	APPROVED BY	SCALE	소재 MATERIAL	JK.Kim TH.Cha MA.Kim		크기 SIZE		A 3		코드 번호 CODE ID. NO.			
± 0.3	± 0.1	± 0.3	± 0.1	16	검토 CHECKED BY	SCALE	소재 MATERIAL	JK.Kim TH.Cha MA.Kim		크기 SIZE		A 3		코드 번호 CODE ID. NO.			
± 0.4	± 0.1	± 0.4	± 0.07	16	검토 CHECKED BY	SCALE	소재 MATERIAL	JK.Kim TH.Cha MA.Kim		크기 SIZE		A 3		코드 번호 CODE ID. NO.			
± 0.5	± 0.1	± 0.5	± 0.07	63	검토 CHECKED BY	SCALE	소재 MATERIAL	JK.Kim TH.Cha MA.Kim		크기 SIZE		A 3		코드 번호 CODE ID. NO.			
± 0.6	± 0.1	± 0.6	± 0.07	250	검토 CHECKED BY	SCALE	소재 MATERIAL	JK.Kim TH.Cha MA.Kim		크기 SIZE		A 3		코드 번호 CODE ID. NO.			
± 0.7	± 0.1	± 0.7	± 0.07	250	검토 CHECKED BY	SCALE	소재 MATERIAL	JK.Kim TH.Cha MA.Kim		크기 SIZE		A 3		코드 번호 CODE ID. NO.			
± 0.8	± 0.1	± 0.8	± 0.07	1000	검토 CHECKED BY	SCALE	소재 MATERIAL	JK.Kim TH.Cha MA.Kim		크기 SIZE		A 3		코드 번호 CODE ID. NO.			

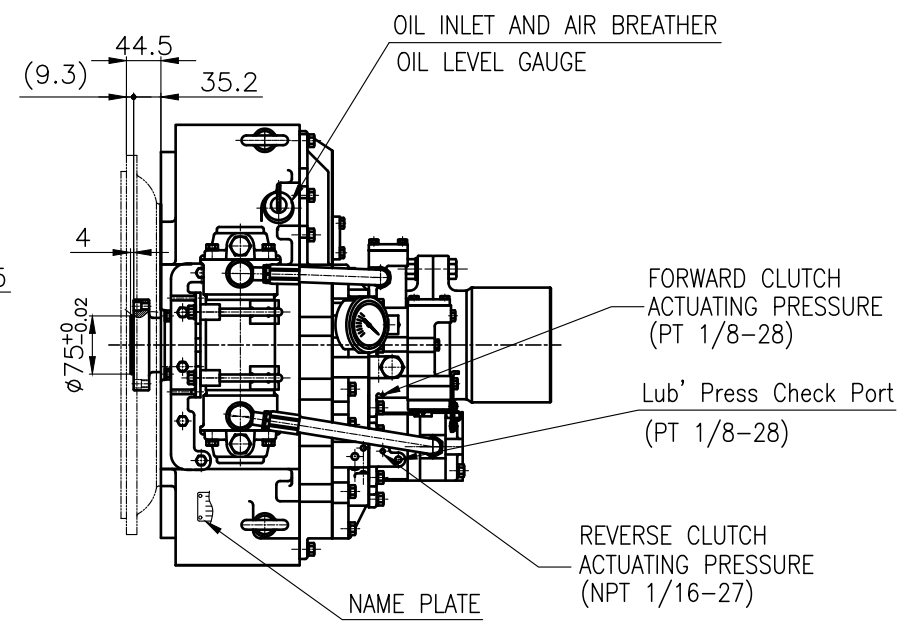




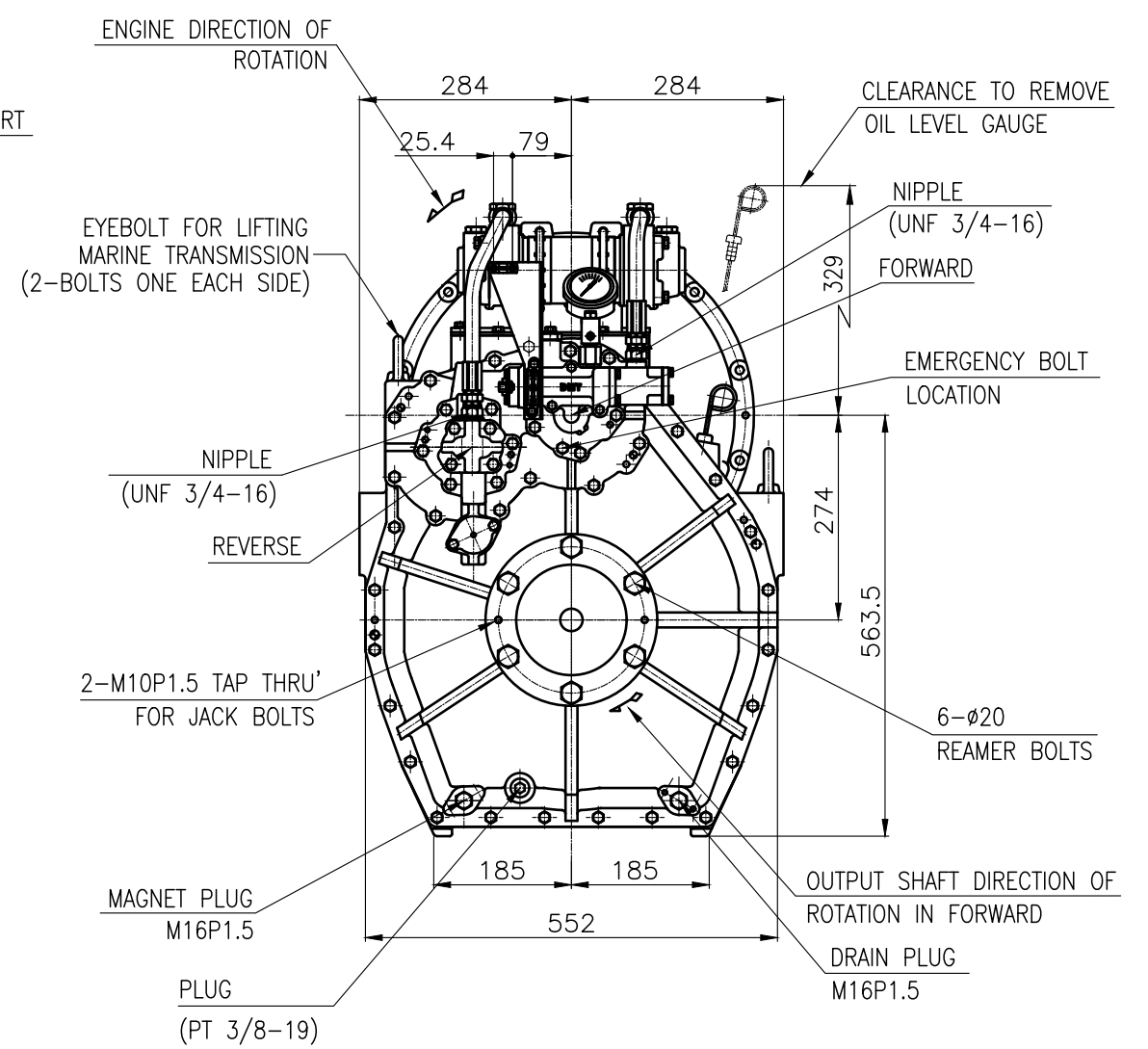
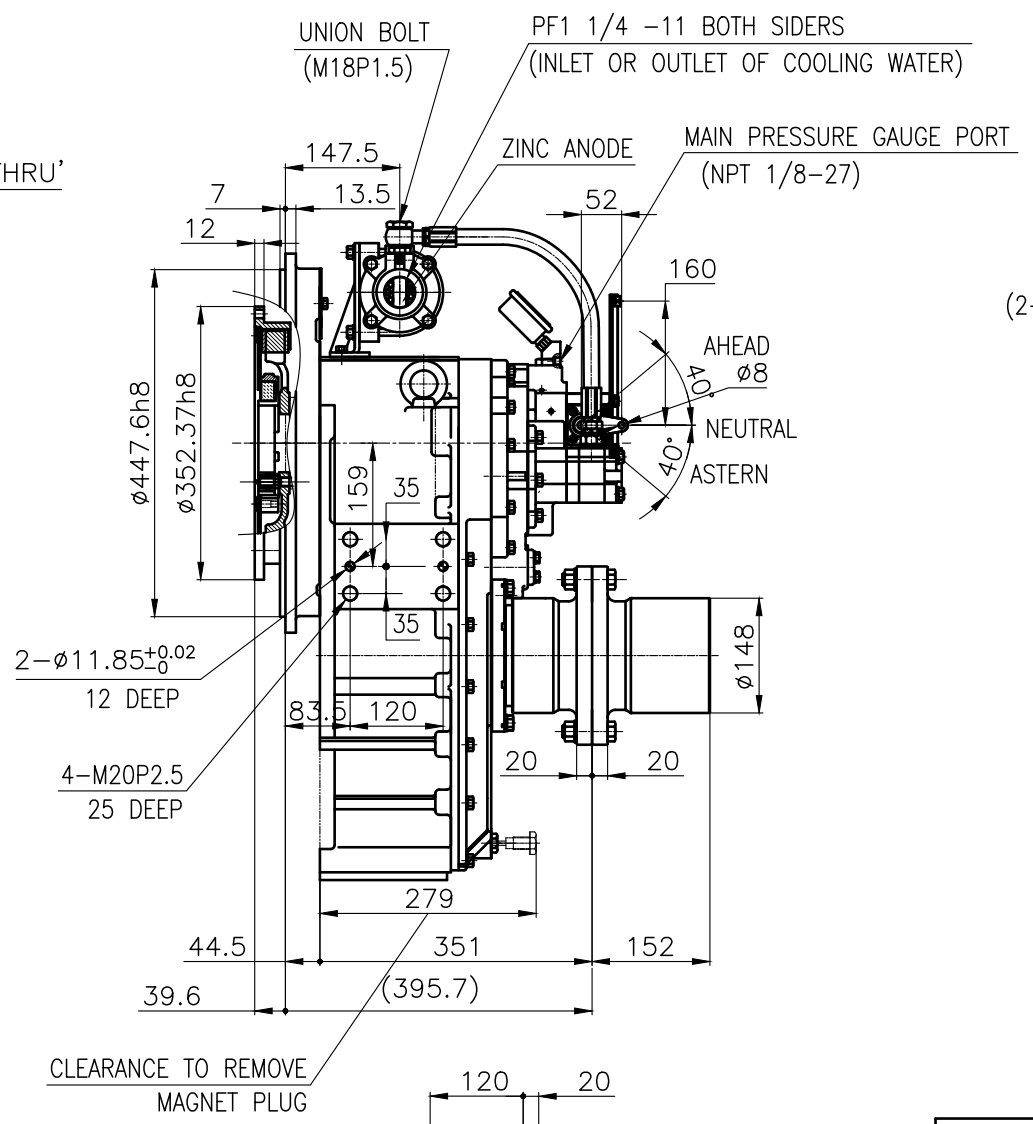
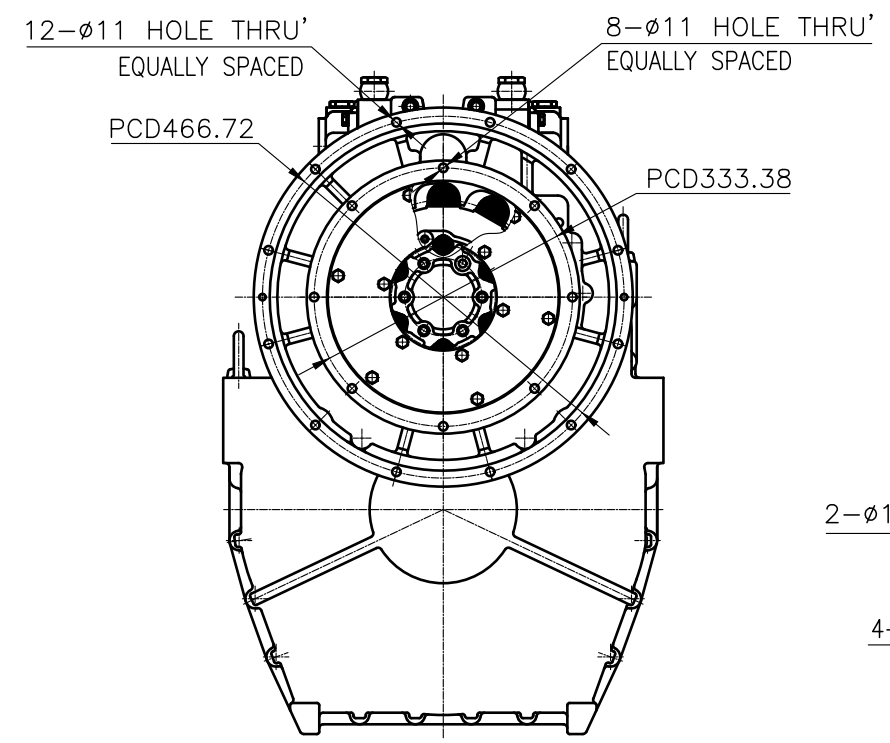
OUTPUT SHAFT COUPLING & PROPELLER COUPLING DIMENSION



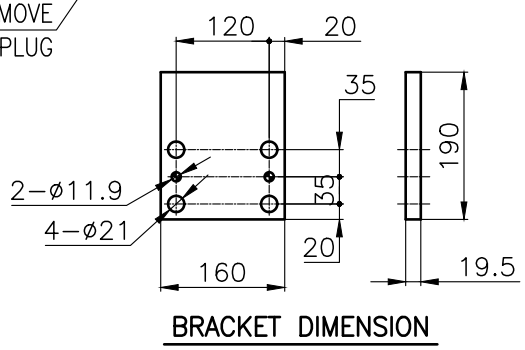
INPUT COUPLING DIMENSION



DMT 135HL MARINE TRANSMISSION SPECIFICATION	
GEAR RATIO	4.07, 4.50, 4.95
TOTAL WEIGHT	APPROX. 263 kg(DRY)
OIL CAPACITY	APPROX. 9.5L
OIL VISCOSITY	SAE # 30
OIL PRESSURE	1.96 ~ 2.54 MPa CLUTCH OIL
DIRECTION OF ROTATION	INPUT C.C.W VIEWED FROM THE STERN
	OUTPUT C.W VIEWED FROM THE STERN
OIL CHANGE INTERVAL	THE FIRST 100HOURS OF INITIAL OPERATION AND EVERY 1000HOURS THEREAFTER
SHIFTING LIMIT	UNDER 50% OF THE RATED ENGINE SPEED
OIL COOLER	WATER FLOW 40 ~ 60L/min
	TEMPERATURE OF COOLING WATER MAX 32°C
OPERATING TORQUE OF SHIFTING LEVER	UNDER 2.94Nm

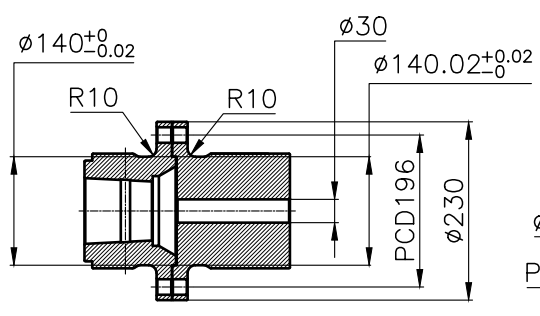


- REMARK (HOT)
- 1.HOUSING: SAE#2
 - 2.DRIVING RING: SAE 11.5"
 - 3.COUPLING TYPE : DUAL STAGE
 - 4.APPLICATION ENGINE : STANDARD

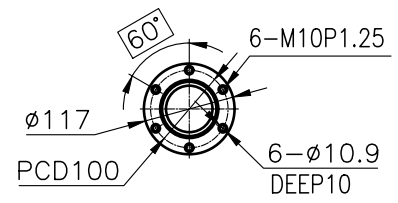


공통공차 TOLERANCE ON				번호 NO.	품 PART NO.	품 PART NAME	개수 Q'TY	재 MATERIAL	규 SIZE	비 REMARKS
분수 FRACTIONS	소수 DECIMALS	각도 ANGLES	공차 TOLERANCE	작성 DATE	검도 SCALE	형 TYPE	도 DWG. NO.	기-드 번호 CODE ID. NO.	원도 번호 ORIGINAL DWG. NO.	개정(REV.)
±	±	±	±	2018.06.20	N/S	DMT135HL	13500GHA~C-2115DCH	A 3		000
1 초과 4 이하	± 0.3	± 0.1	± 0.05	APPROVED BY	SCALE	MARINE TRANSMISSION				
4	± 0.5	± 0.2	± 0.07	JK.Kim	2018.06.20					
16	± 0.7	± 0.3	± 0.1	CHECKED BY	DRAWN					
16	± 0.7	± 0.3	± 0.1	TH.Cha	DESIGNED					
63	± 1.2	± 0.5	± 0.2	MA.Kim						
250	± 2.0	± 0.8	± 0.3							

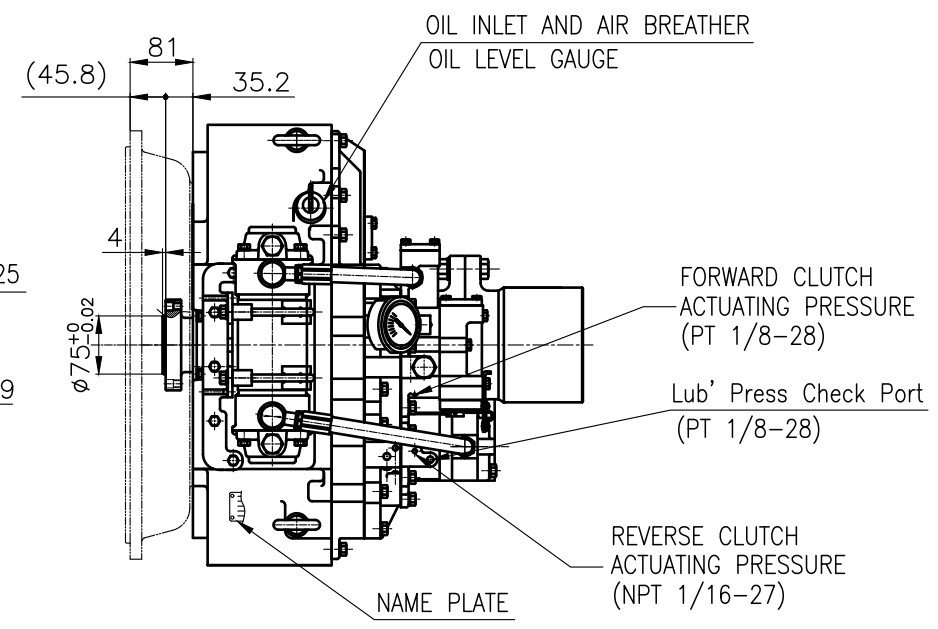
D-I INDUSTRIAL



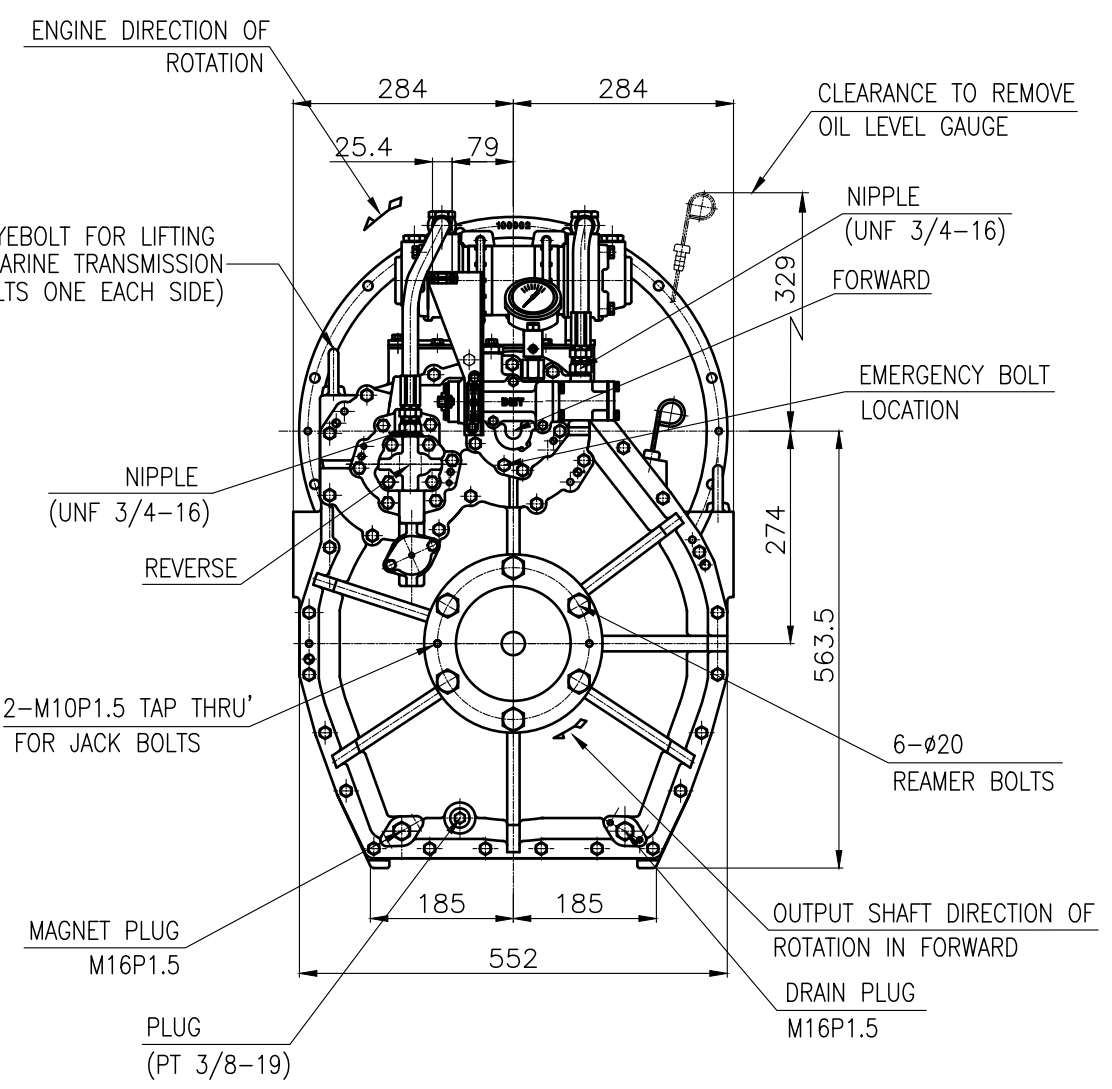
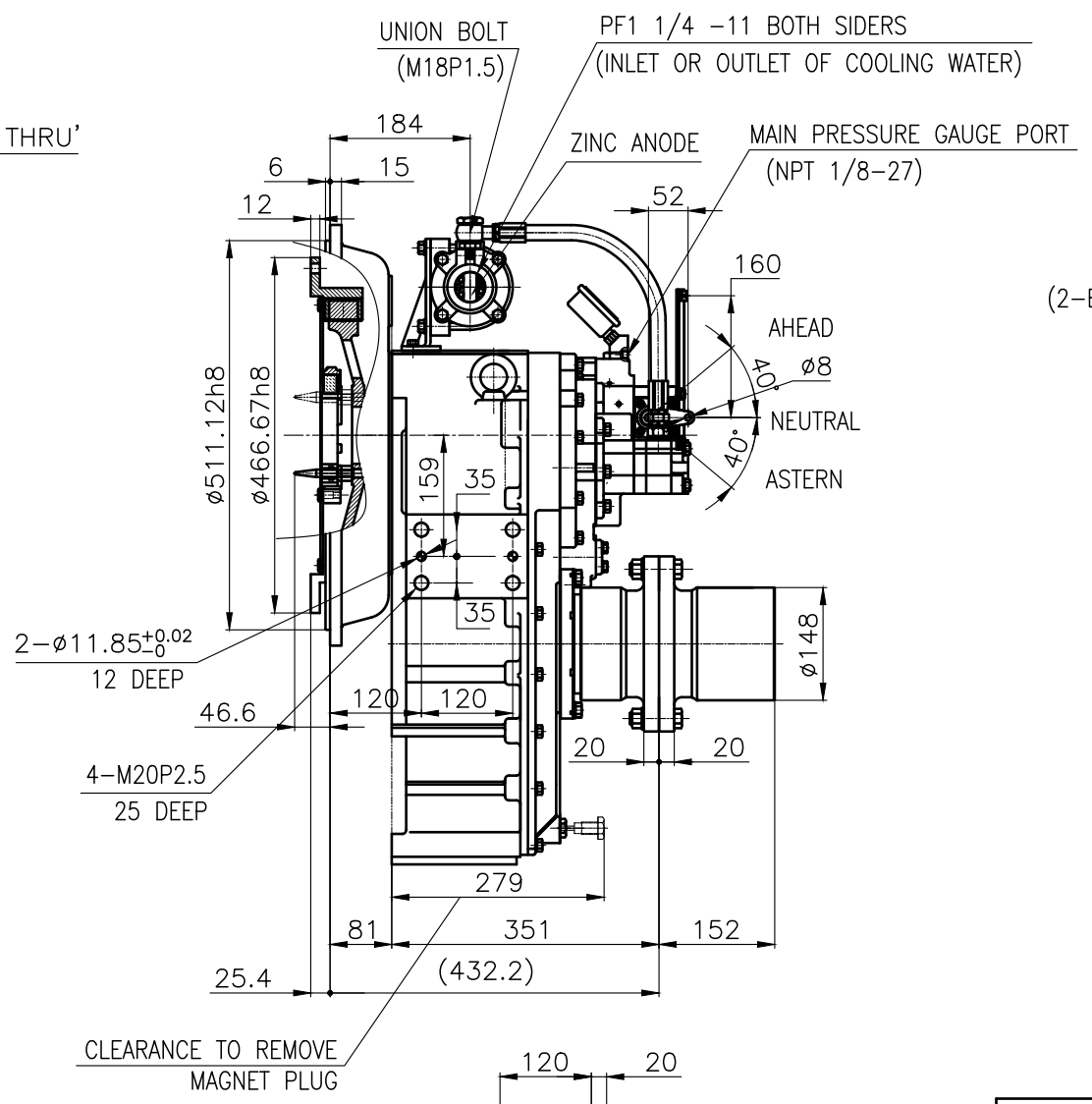
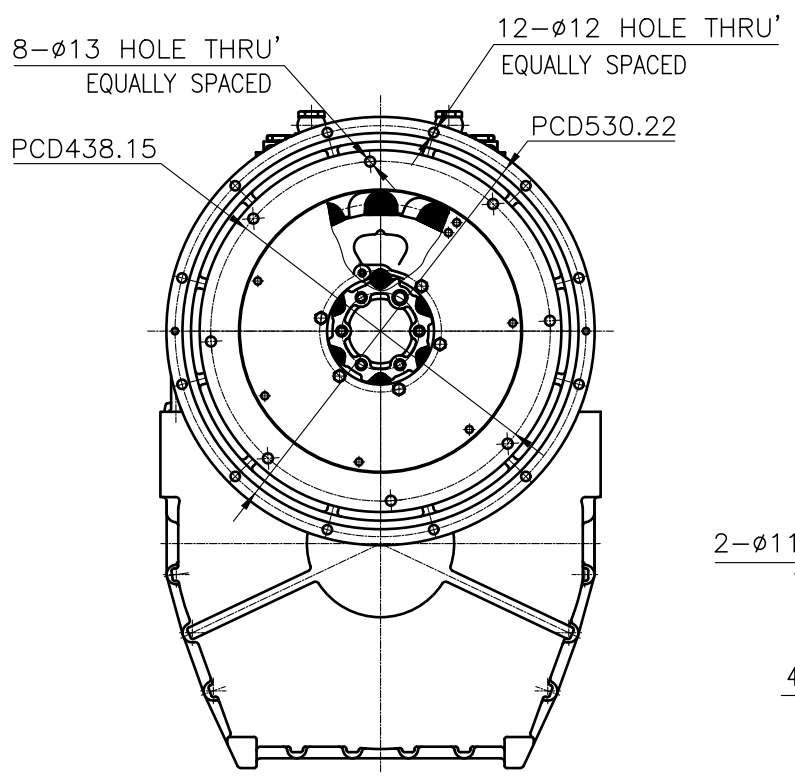
OUTPUT SHAFT COUPLING & PROPELLER COUPLING DIMENSION



INPUT COUPLING DIMENSION



DMT 135HL MARINE TRANSMISSION SPECIFICATION			
GEAR RATIO	4.07, 4.50, 4.95		
TOTAL WEIGHT	APPROX. 263 kg(DRY)		
OIL CAPACITY	APPROX. 9.5L		
OIL VISCOSITY	SAE # 30		
OIL PRESSURE	1.96 ~ 2.54 MPa		CLUTCH OIL
DIRECTION OF ROTATION	INPUT	C.C.W VIEWED FROM THE STERN	
	OUTPUT	C.W VIEWED FROM THE STERN	
OIL CHANGE INTERVAL	THE FIRST 100HOURS OF INITIAL OPERATION AND EVERY 1000HOURS THEREAFTER		
SHIFTING LIMIT	UNDER 50% OF THE RATED ENGINE SPEED		
OIL COOLER	WATER FLOW 40 ~ 60L/min		TEMPERATURE OF COOLING WATER
			MAX 32°C
OPERATING TORQUE OF SHIFTING LEVER	UNDER 2.94Nm		



- REMARK (HOT)
- 1.HOUSING: SAE#1
 - 2.DRIVING RING: SAE 14"
 - 3.COUPLING TYPE : DUAL STAGE
 - 4.APPLICATION ENGINE : STANDARD

공통공차 TOLERANCE ON				번호 NO.		PART NO.		PART NAME		개수 Q'TY		재질 MATERIAL		규격 SIZE		비고 REMARKS	
분수 FRACTIONS	소수 DECIMALS	각도 ANGLES	±	±	±	±	±	±	±	±	±	±	±	±	±	±	±
1 초과 4 이하	± 0.3	± 0.1	± 0.05														
4	± 0.5	± 0.2	± 0.07														
16	± 0.7	± 0.3	± 0.1														
63	± 1.2	± 0.5	± 0.2														
250	± 2.0	± 0.8	± 0.3														

구분	작성 DATE	척도 SCALE	TYPE	원도 번호 ORIGINAL DWG. NO.
1	2018.06.20	N/S	DMT135HL	
2			MARINE TRANSMISSION	
3			13500GHA~C-114DCH	000

구분	검토	확인	검토	검토	검토	검토	검토	검토	검토	검토	검토	검토	검토	검토	검토	검토	검토	검토
1	JK.Kim	TH.Cha	MA.Kim															

공기 SIZE	크기	코드 번호 CODE ID. NO.
A 3		