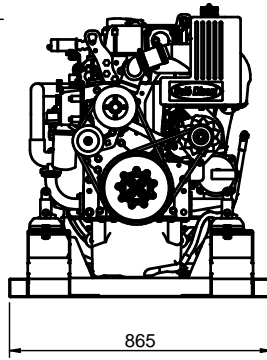
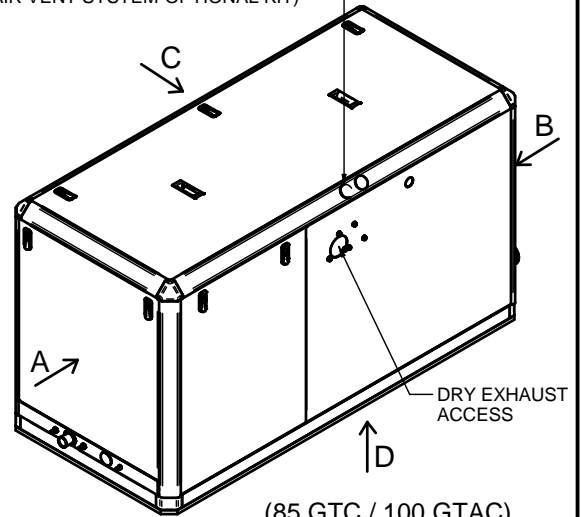


(85 GT / 100 GTA)

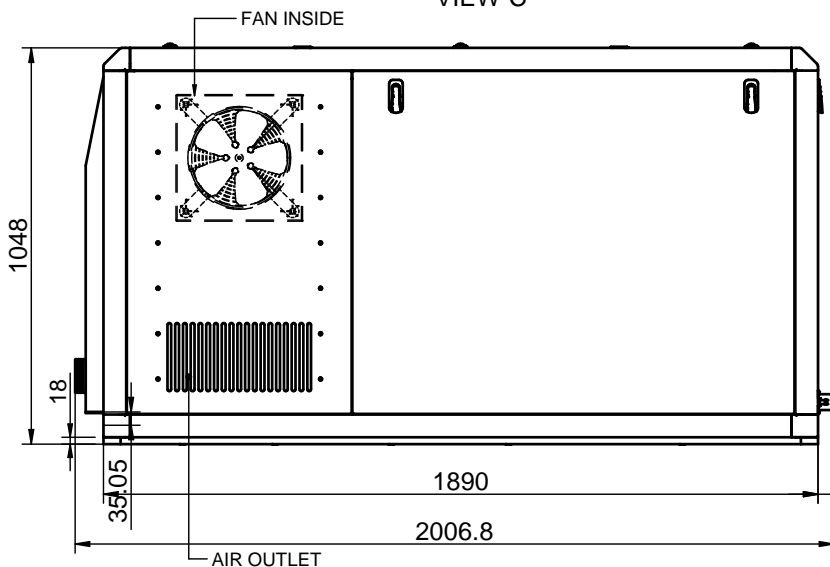


SIPHON BREAK CONNECTIONS
(AIR VENT SYSTEM-OPTIONAL KIT)



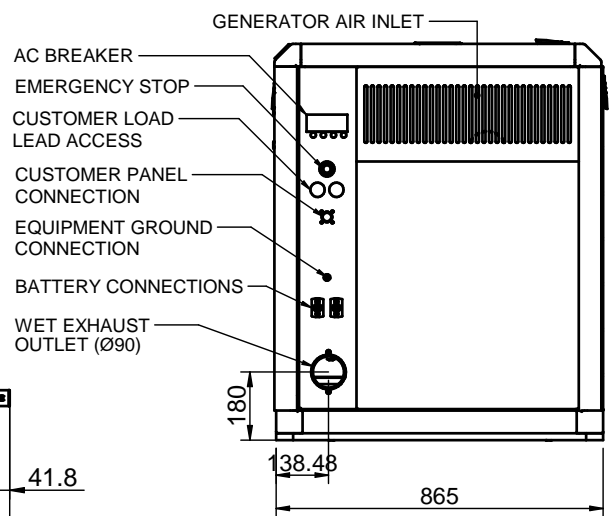
(85 GTC / 100 GTAC)

VIEW C

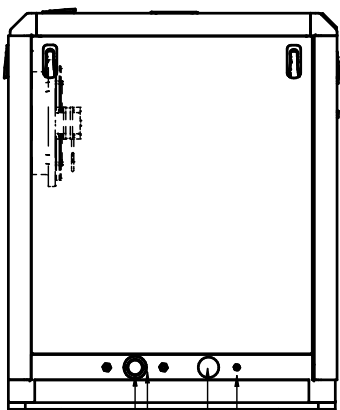
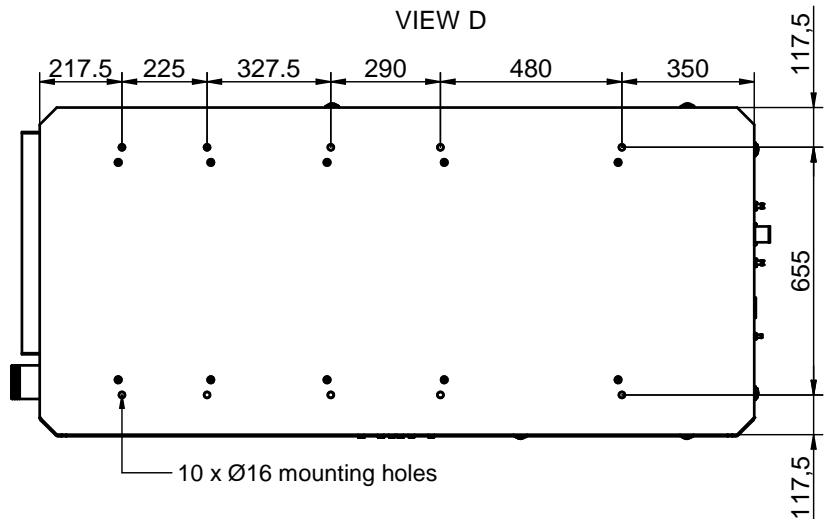


VIEW A

VIEW B



VIEW D



SEA WATER OUTLET (Ø42)
(ONLY DRY EXHAUST)
LEAKS COOLANT OUTLET (Ø8)
FUEL INLET/
OUTLET (Ø12)
SEA WATER
INLET (Ø42)

| | | | | |
|---|------------|-------------------|------------------------------|--------------------------------|
| GRUPO 85 GT-85 GTC / 100 GTA-100 GTAC | | | | |
| GENSET 85 GT-85 GTC / 100 GTA-100 GTAC | | | | |
| MATERIAL | ACABADO | TRATAMIENTO | PRESENTACION | ESCALA |
| DIBUJADO P. IGLESIAS | VERIFICADO | GRADO PRECISION | FECHA CREACION 15/04/2020 | ULTIMA REVISION |
| | | SOLÉ, S.A. | | FA0749 FA0750 FA0751 FA0752 |
| | | | | C |