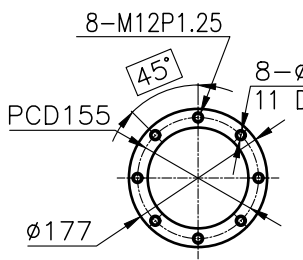
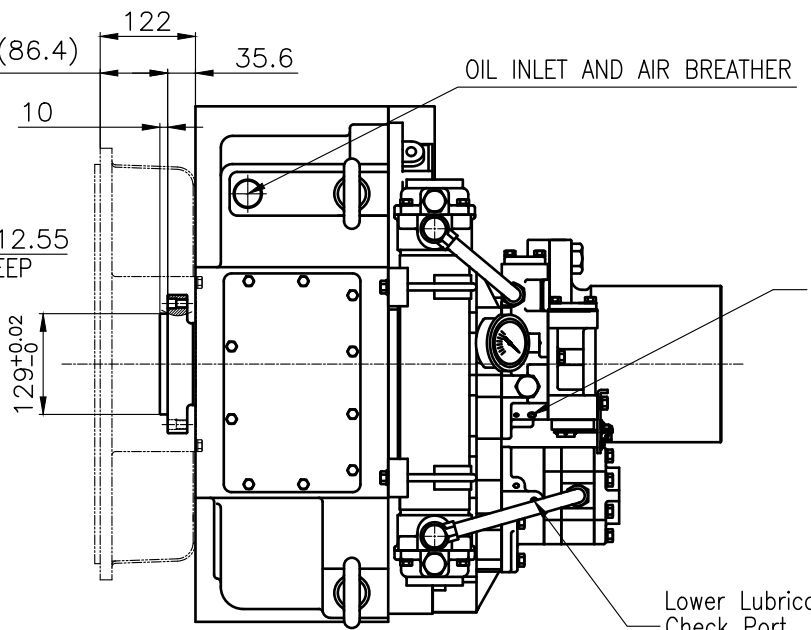


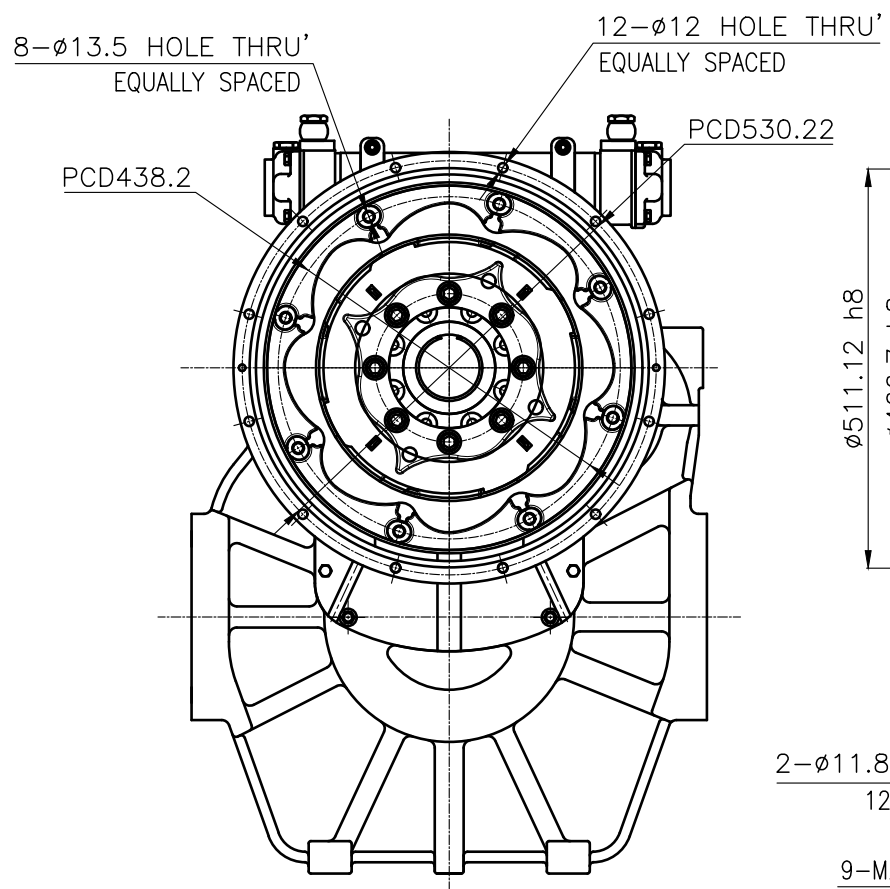
OUTPUT SHAFT COUPLING & PROPELLER COUPLING DIMENSION



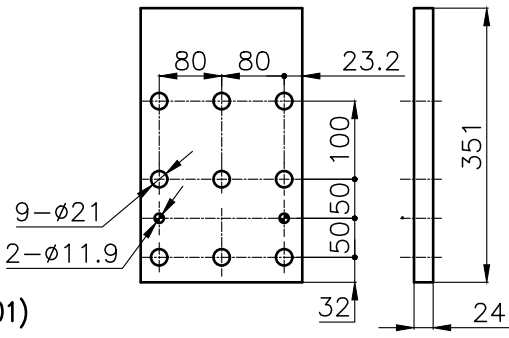
INPUT COUPLING DIMENSION



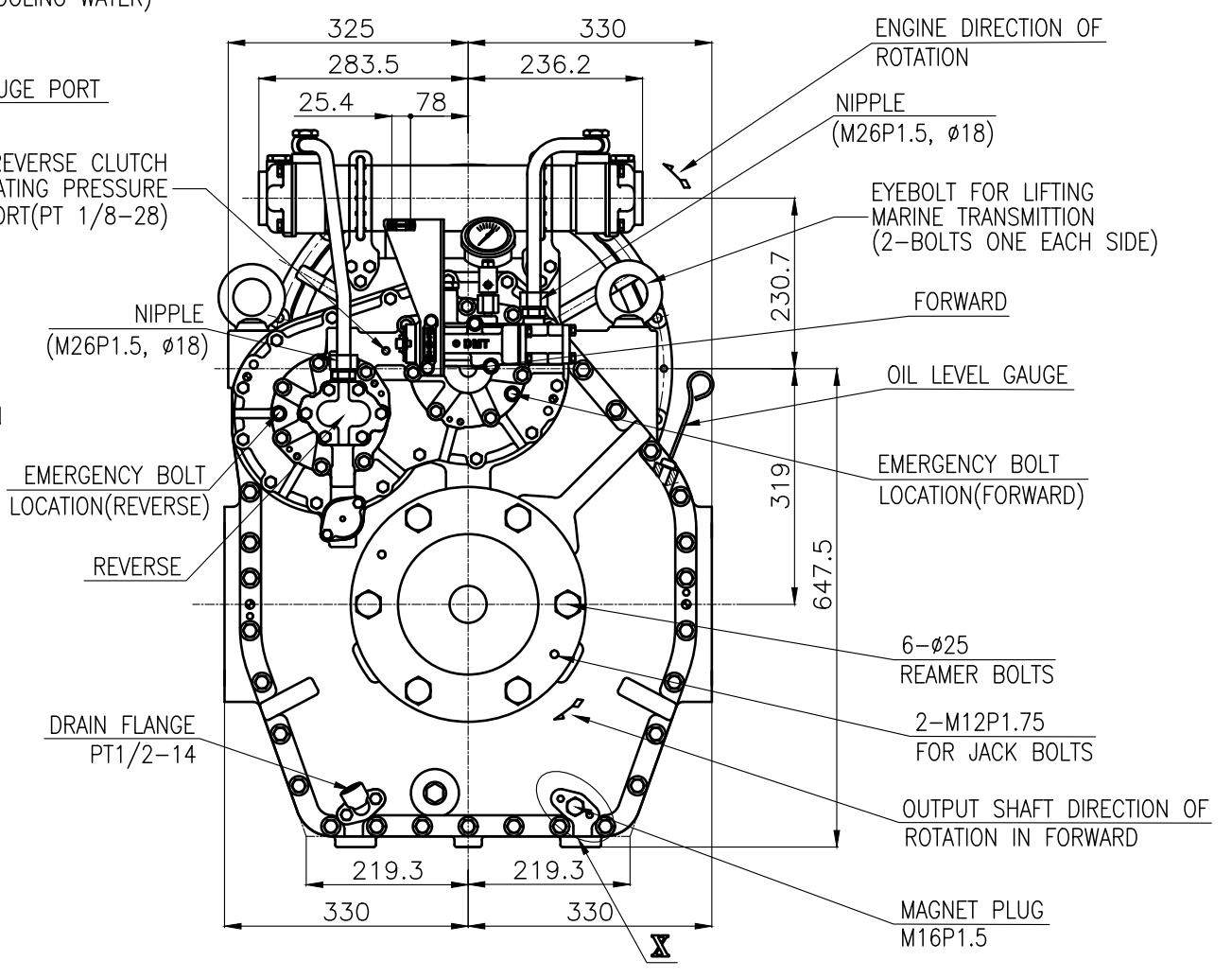
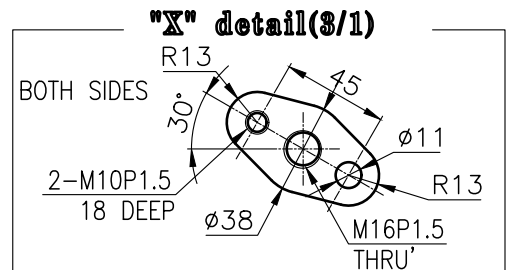
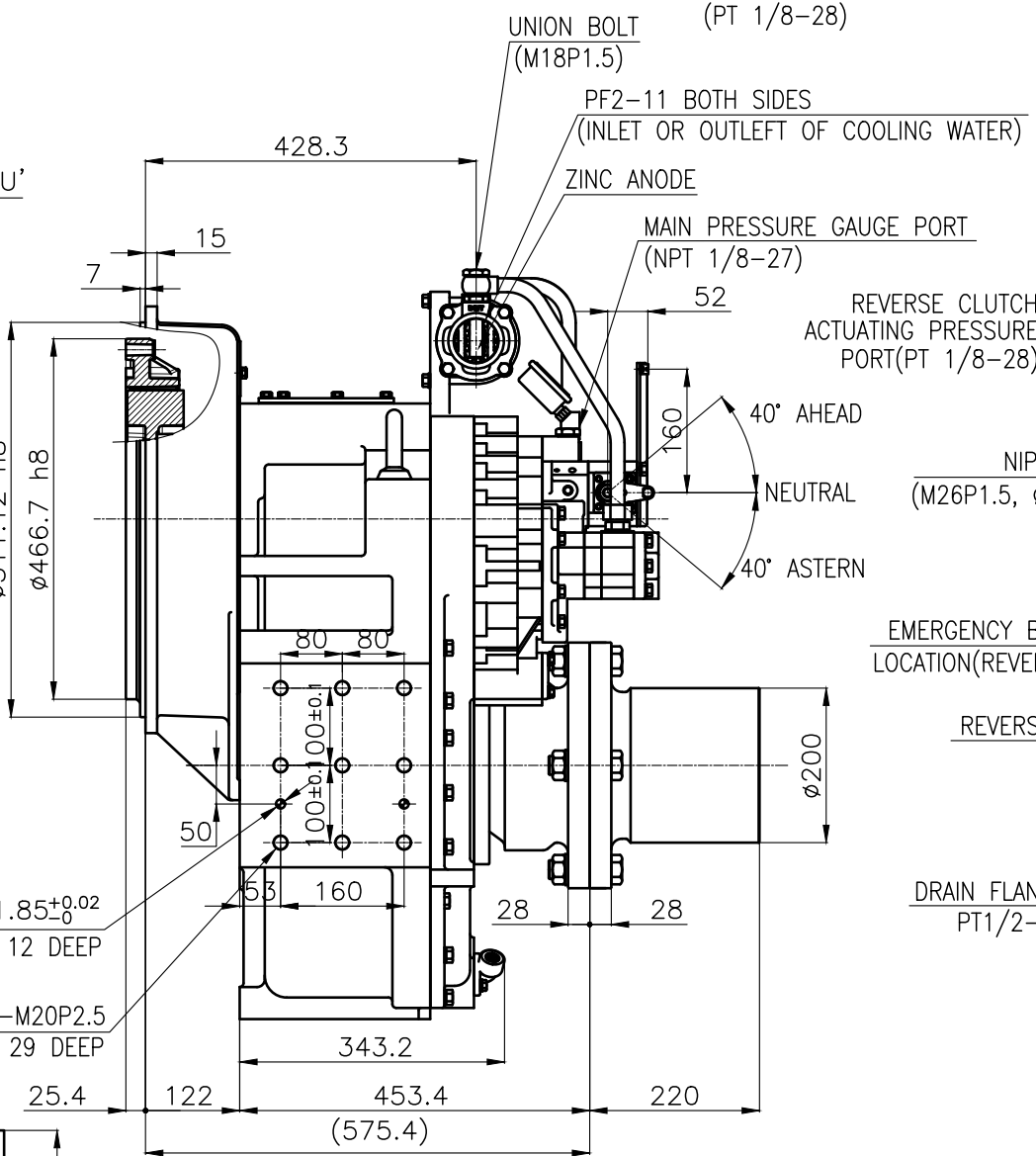
DMT300HL MARINE TRANSMISSION SPECIFICATION		
GEAR RATIO	2.61, 3.10, 3.56, 4.13, 4.59	
TOTAL WEIGHT	APPROX. - Kg(DRY)	
OIL CAPACITY	APPROX. - L	
OIL VISCOSITY	SAE # 30	
OIL PRESSURE	1.96 ~ 2.54 MPa	CLUTCH OIL
DIRECTION OF ROTATION	INPUT	C.C.W VIEWED FROM THE STERN
	OUTPUT	C.W VIEWED FROM THE STERN
OIL CHANGE INTERVAL	THE FIRST 100HOURS OF INITIAL OPERATION AND EVERY 1000HOURS THEREAFTER	
SHIFTING LIMIT	UNDER 50% OF THE RATED ENGINE SPEED	
OIL COOLER	WATER FLOW	90 ~ 120L/m
	TEMPERATURE OF COOLING WATER	MAX 32°
OPERATING TORQUE OF SHIFTING LEVER	UNDER 2.94Nm	



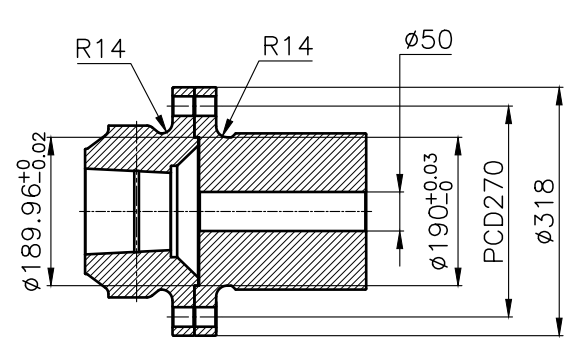
REMARK
 1.HOUSING: SAE#1
 2.DRIVING RING: SAE 14"
 3.COUPLING TYPE :
 CENTA Flex Coupling (77268801)



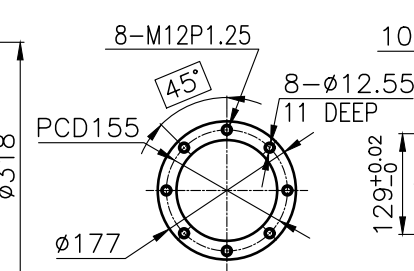
BRACKET DIMENSION



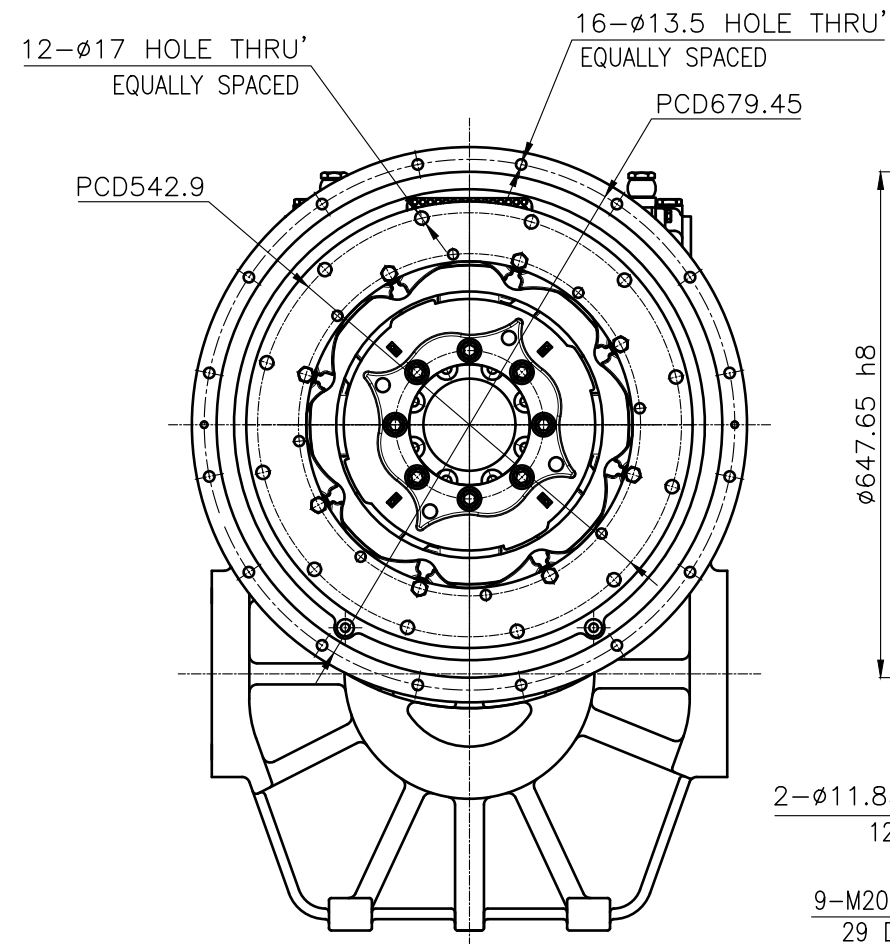
공통공차 TOLERANCE ON	번호 PART NO.	PART NAME	개수 Q'TY	재질 MATERIAL	규격 SIZE	비고 REMARKS
분수 FRACTIONS	작성 DATE 2018.06.29	척도 SCALE N/S	형식 TYPE	DMT300HL		
소수 DECIMALS	승인 BY JK.Kim	검도 CHECKED BY TH.Cha	품명 NAME	MARINE TRANSMISSION		
각도 ANGLES	도면 DRAWN CH.Baek	설계 DESIGNED	도번 DWG. NO.	30000GA~E-114CFR		
±	1 초과 4 이하 ±0.3 ±0.1 ±0.05		크기 SIZE	A 3		
	4 16 ±0.5 ±0.2 ±0.07		코드 번호 CODE ID. NO.			
	16 63 ±0.7 ±0.3 ±0.1					
	63 250 ±1.2 ±0.5 ±0.2					
	250 1000 ±2.0 ±0.8 ±0.3					



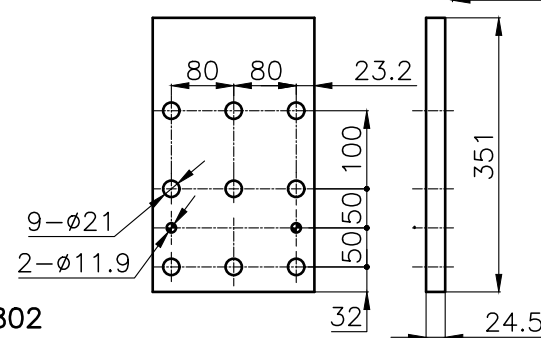
OUTPUT SHAFT COUPLING & PROPELLER COUPLING DIMENSION



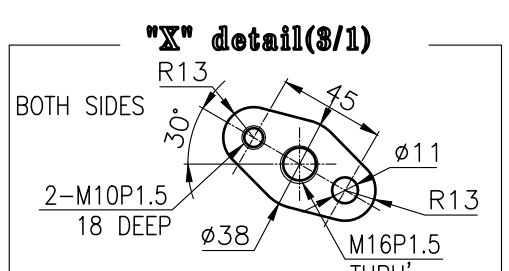
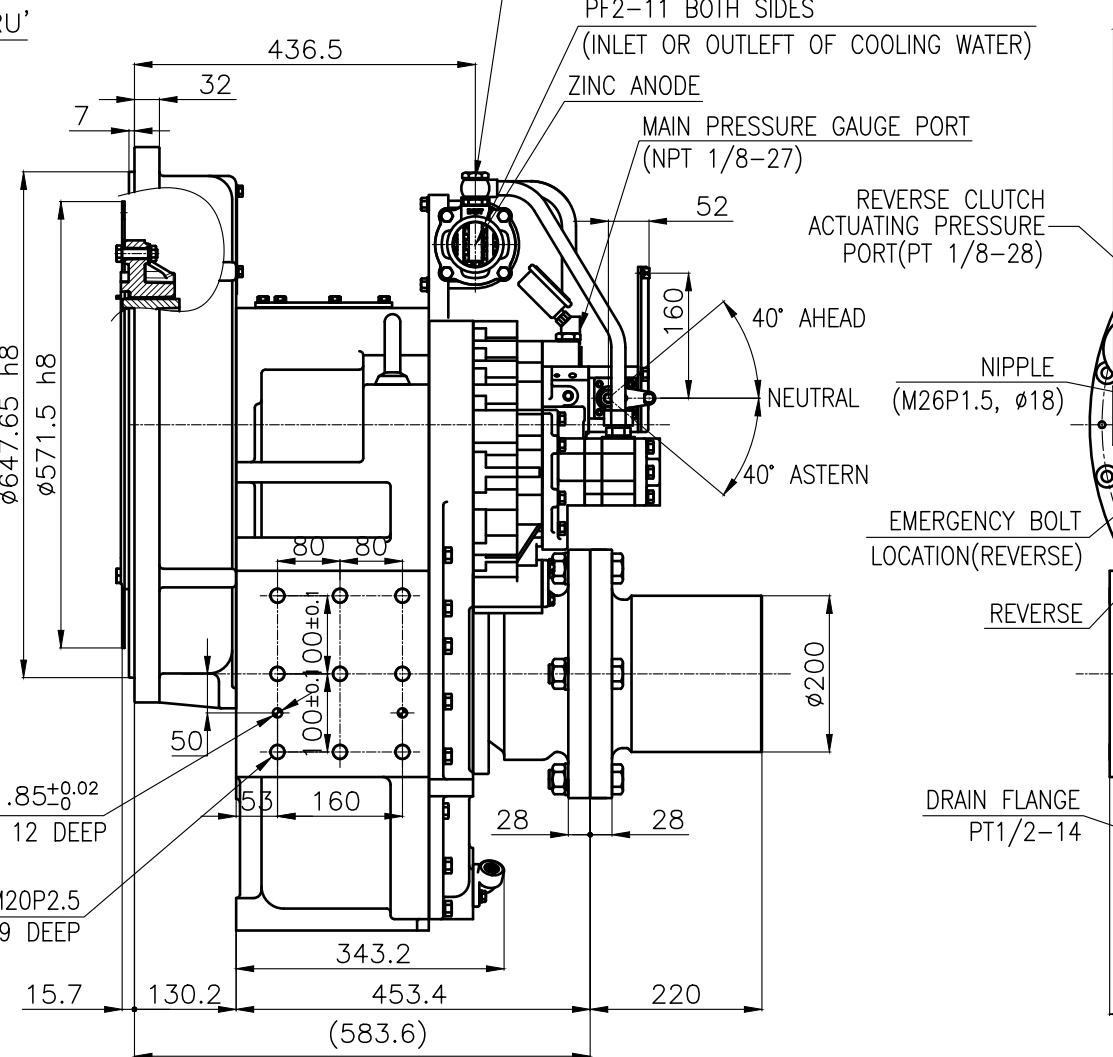
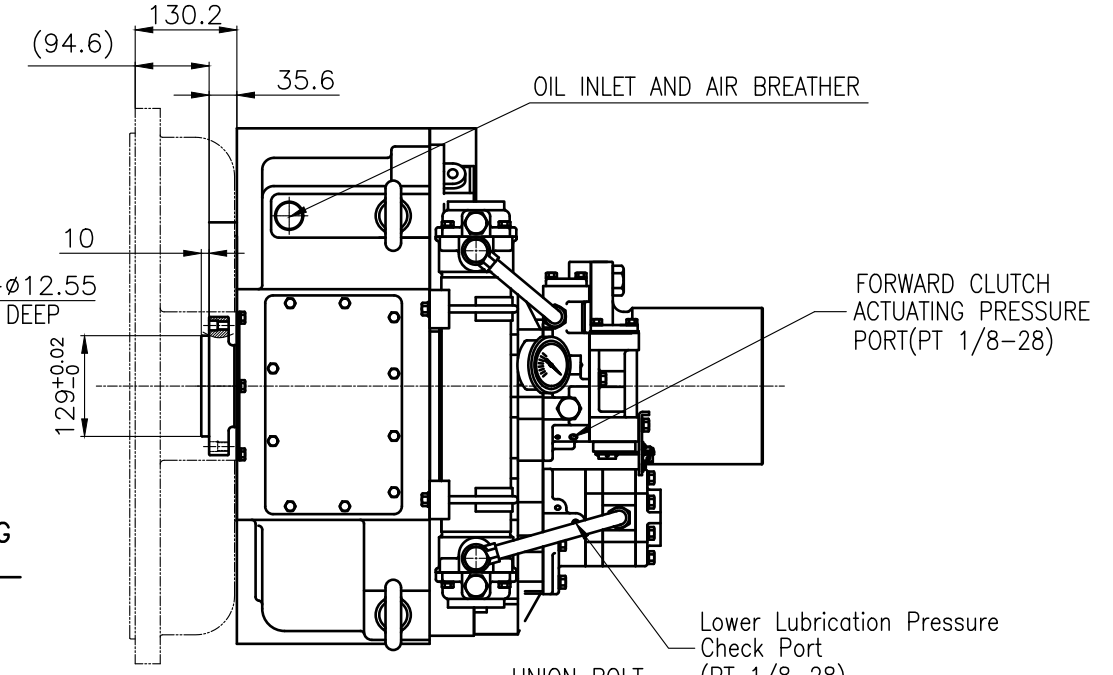
INPUT COUPLING DIMENSION



REMARK
 1. HOUSING : SAE# 0
 2. DRIVING RING : SAE 18"
 3. COUPLING TYPE
 -CENTA Flex Coupling : 77268802

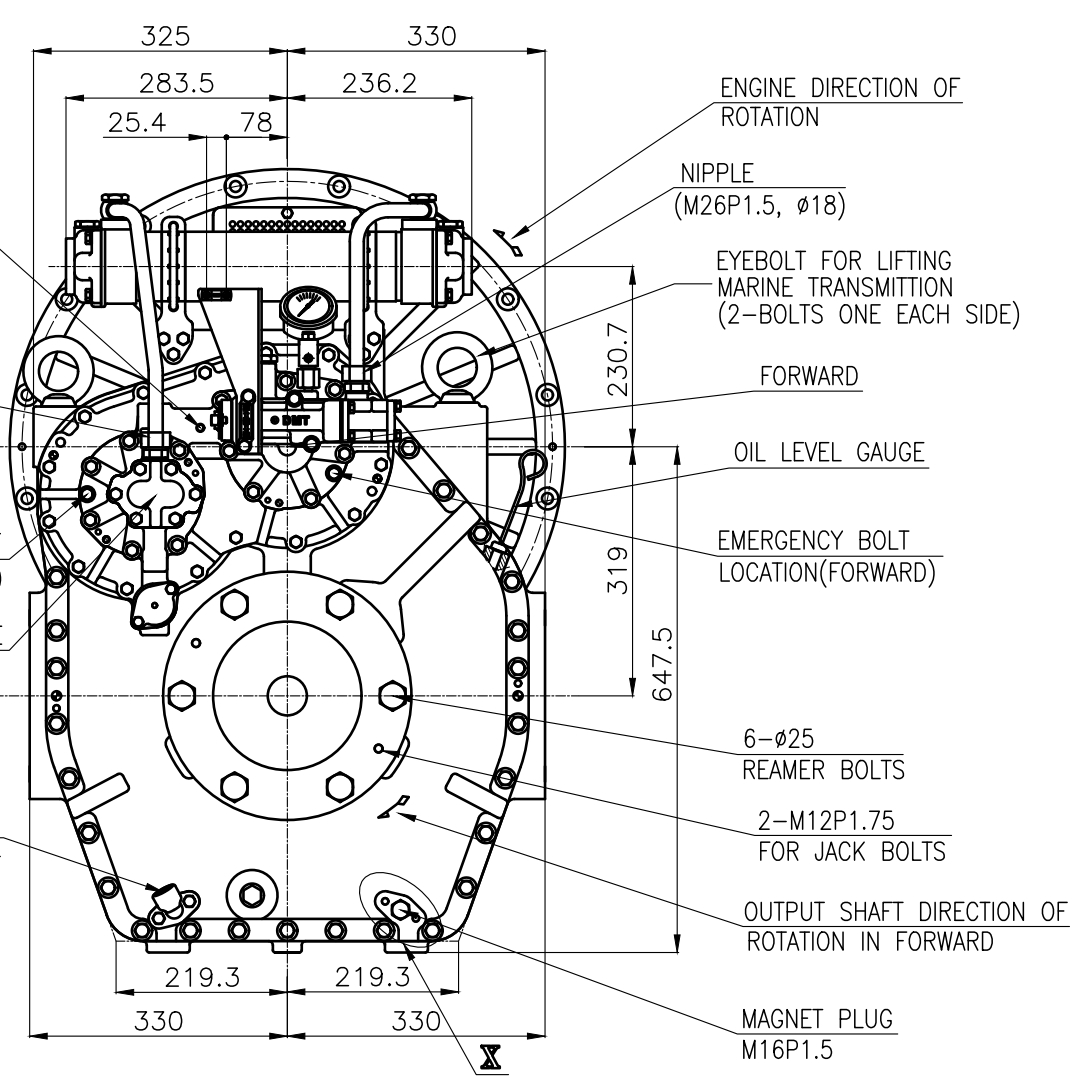


BRACKET DIMENSION

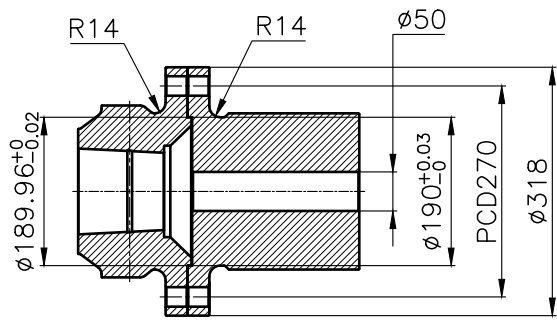


"X" detail(3/1)

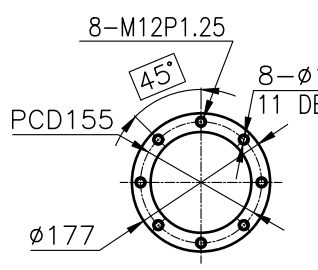
DMT300HL MARINE TRANSMISSION SPECIFICATION			
GEAR RATIO	2.61, 3.10, 3.56, 4.13, 4.59		
TOTAL WEIGHT	APPROX. 847 Kg(DRY)		
OIL CAPACITY	APPROX. 16.5 L		
OIL VISCOSITY	SAE #30		
OIL PRESSURE	1.96 ~ 2.54 MPa	CLUTCH OIL	
DIRECTION OF ROTATION	INPUT	C.C.W VIEWED FROM THE STERN	
	OUTPUT	C.W VIEWED FROM THE STERN	
OIL CHANGE INTERVAL	THE FIRST 100HOURS OF INITIAL OPERATION AND EVERY 1000HOURS THEREAFTER		
SHIFTING LIMIT	UNDER 50% OF THE RATED ENGINE SPEED		
OIL COOLER	WATER FLOW	90 ~ 120L/m	
	TEMPERATURE OF COOLING WATER	MAX 32'	
OPERATING TORQUE OF SHIFTING LEVER	UNDER 2.94Nm		



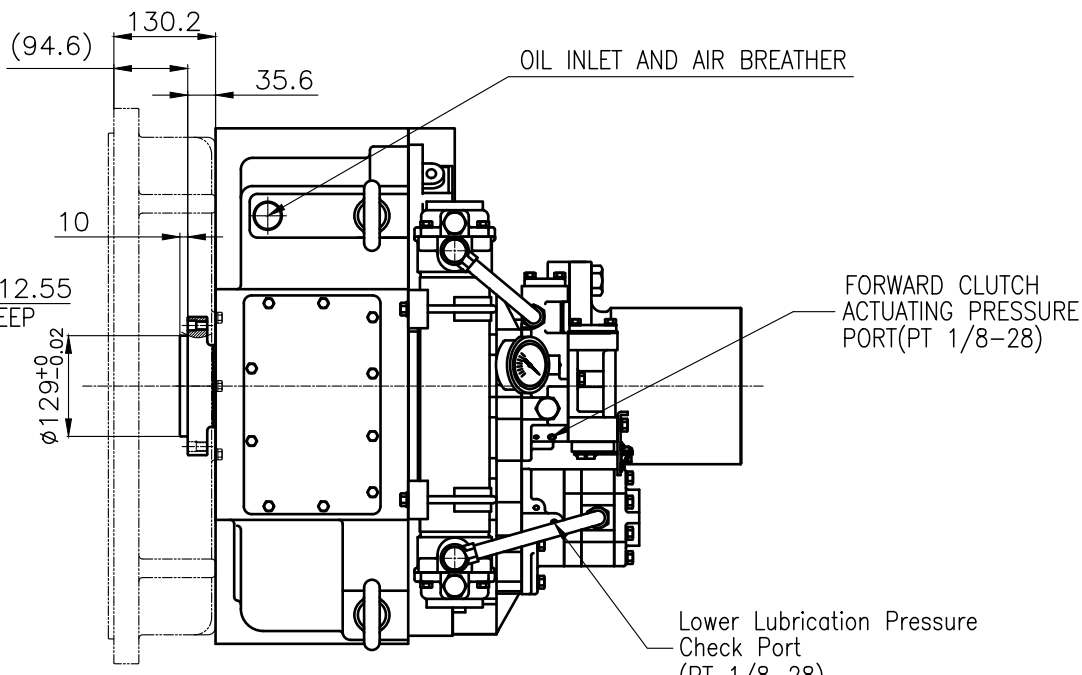
공통공차 TOLERANCE ON	번호 NO.	품 PART NO.	품 PART NAME	개수 Q'TY	재 MATERIAL	규 SIZE	비 REMARKS
분수 FRACTIONS	±	소수 DECIMALS	±	각도 ANGLES	±		원도번 ORIGINAL DWG. NO.
±	±	±	±	±			
검사 가 공	작성 DATE	검 도 CHECKED BY	척 도 SCALE	형 식 TYPE	DMT300HL		
1 초과 4 이하 ±0.3 ±0.1 ±0.05	2018.06.29	JK.Kim	N/S	품 명 NAME	MARINE TRANSMISSION		
4 16 ±0.5 ±0.2 ±0.07	APPROVED BY	TH.Cha		도 번 DWG. NO.	30000GA~E-018CFR		
16 63 ±0.7 ±0.3 ±0.1	JK.Kim	CH.Baek		크 기 SIZE	A 3		
63 250 ±1.2 ±0.5 ±0.2	D-I INDUSTRIAL			교-도 번호 CODE ID. NO.			
250 1000 ±2.0 ±0.8 ±0.3							



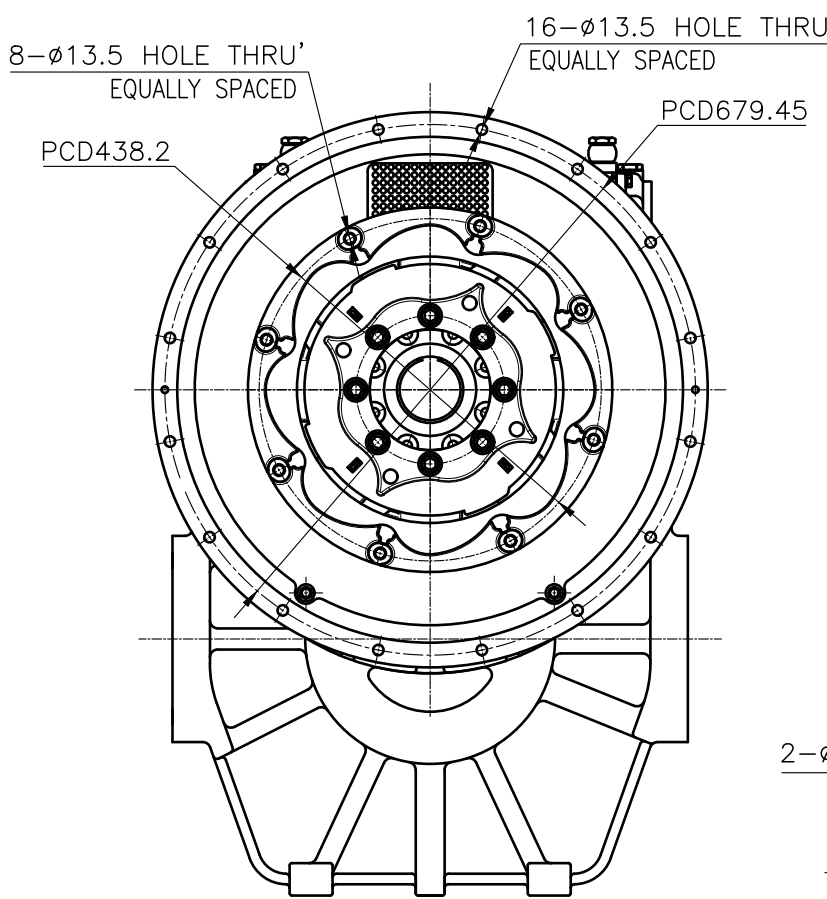
OUTPUT SHAFT COUPLING & PROPELLER COUPLING DIMENSION



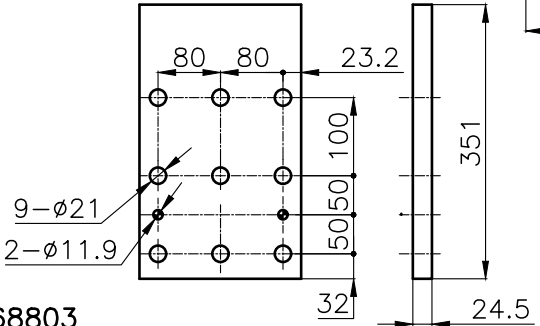
INPUT COUPLING DIMENSION



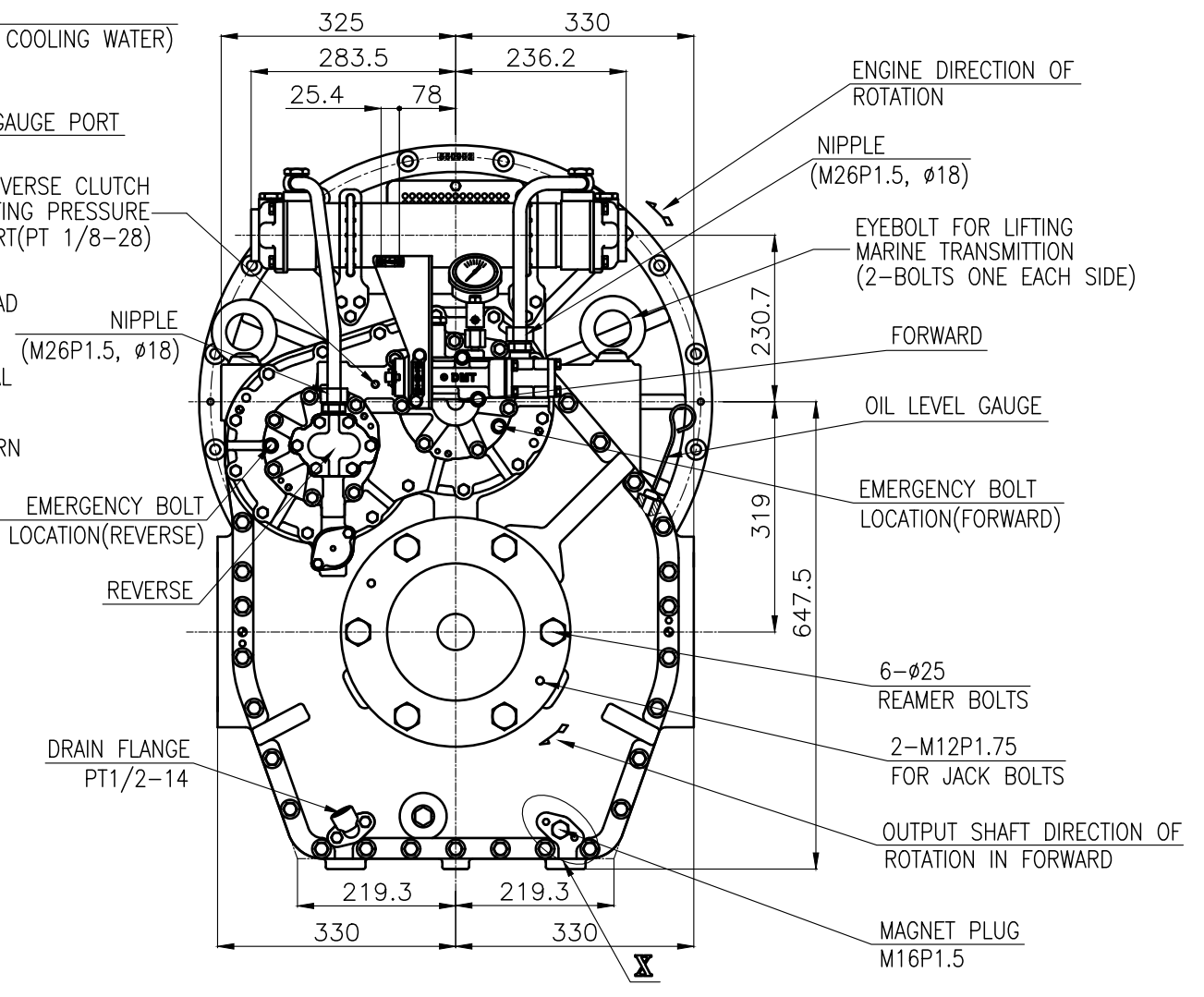
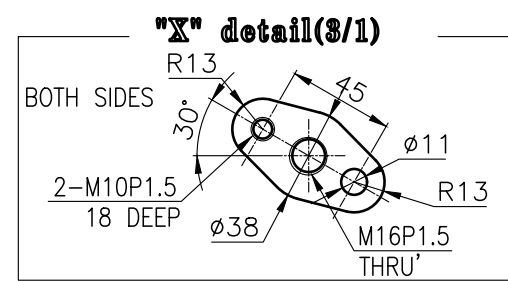
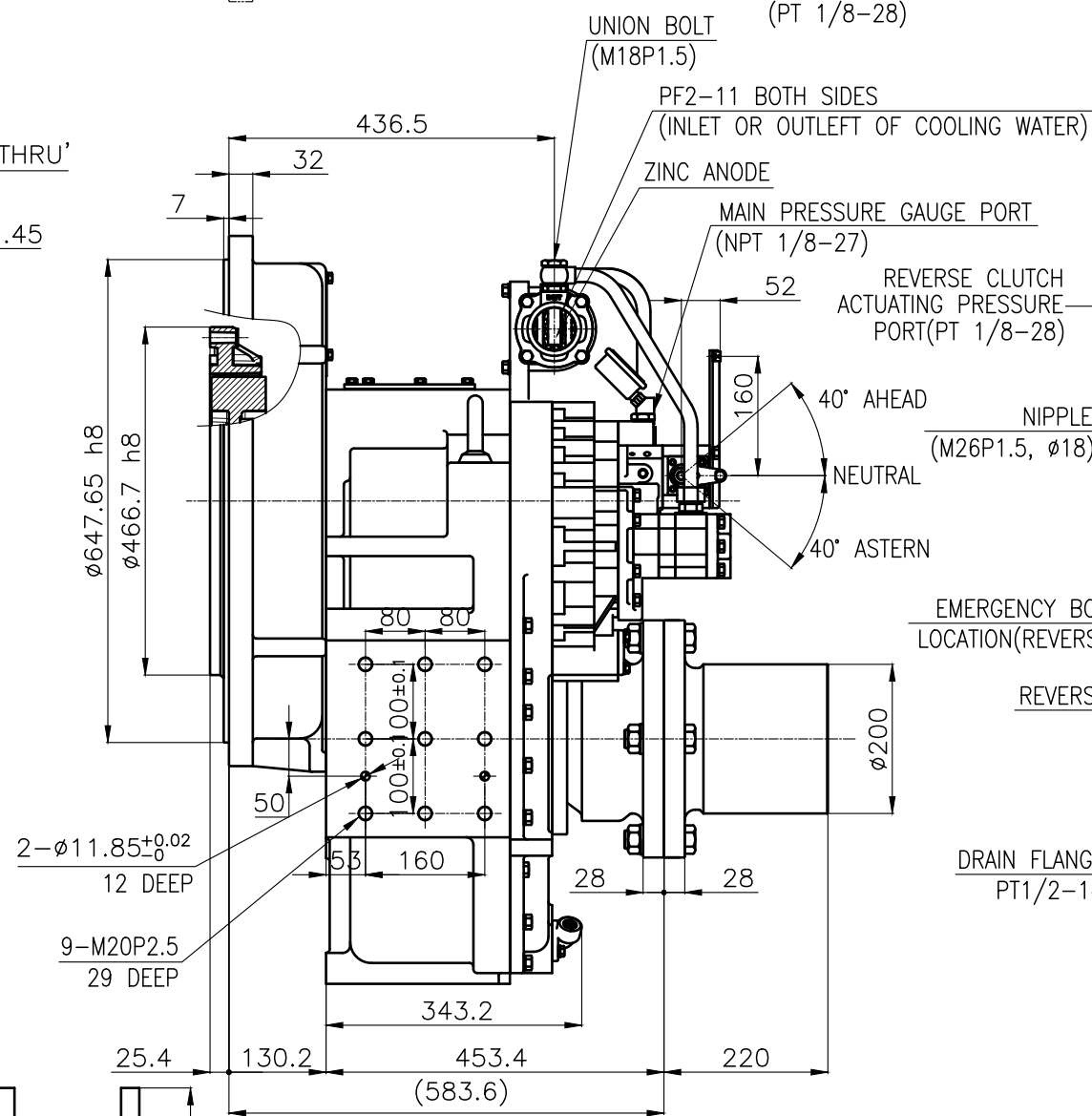
DMT300HL MARINE TRANSMISSION SPECIFICATION		
GEAR RATIO	2.61, 3.10, 3.56, 4.13, 4.59	
TOTAL WEIGHT	APPROX. 787 Kg(DRY)	
OIL CAPACITY	APPROX. 16.5 L	
OIL VISCOSITY	SAE # 30	
OIL PRESSURE	1.96 ~ 2.54 MPa	CLUTCH OIL
DIRECTION OF ROTATION	INPUT	C.C.W VIEWED FROM THE STERN
	OUTPUT	C.W VIEWED FROM THE STERN
OIL CHANGE INTERVAL	THE FIRST 100HOURS OF INITIAL OPERATION AND EVERY 1000HOURS THEREAFTER	
SHIFTING LIMIT	UNDER 50% OF THE RATED ENGINE SPEED	
OIL COOLER	WATER FLOW	90 ~ 120L/m
	TEMPERATURE OF COOLING WATER	MAX 32°
OPERATING TORQUE OF SHIFTING LEVER	UNDER 2.94Nm	



REMARK
 1.HOUSING : SAE# 0
 2.DRIVING RING : SAE 14"
 3.COUPLING TYPE
 -CENTA Flex Coupling : 77268803



BRACKET DIMENSION



공용공차 TOLERANCE ON	번호 PART NO.	부품명 PART NAME	개수 Q'TY	재질 MATERIAL	규격 SIZE	비고 REMARKS
분수 FRACTIONS	작상 DATE 2018.06.29	척도 SCALE N/S	형식 TYPE	DMT300HL		
소수 DECIMALS	승인 BY JK.Kim	검도 CHECKED BY TH.Cha	품명 NAME	MARINE TRANSMISSION		
각도 ANGLES	도면 DRAWN CH.Baek	설계 DESIGNED	도번 DWG. NO.	3000GA~E-014CFR		
±	1 초과 4 이하 ±0.3 ±0.1 ±0.05	JK.Kim TH.Cha CH.Baek	크기 SIZE	A 3		
±	4 16 ±0.5 ±0.2 ±0.07	D-I INDUSTRIAL		코-드 번호 CODE ID. NO.		000
±	16 63 ±0.7 ±0.3 ±0.1					
±	63 250 ±1.2 ±0.5 ±0.2					
±	250 1000 ±2.0 ±0.8 ±0.3					