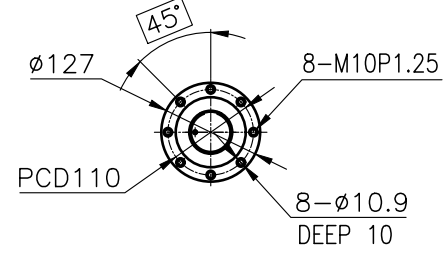
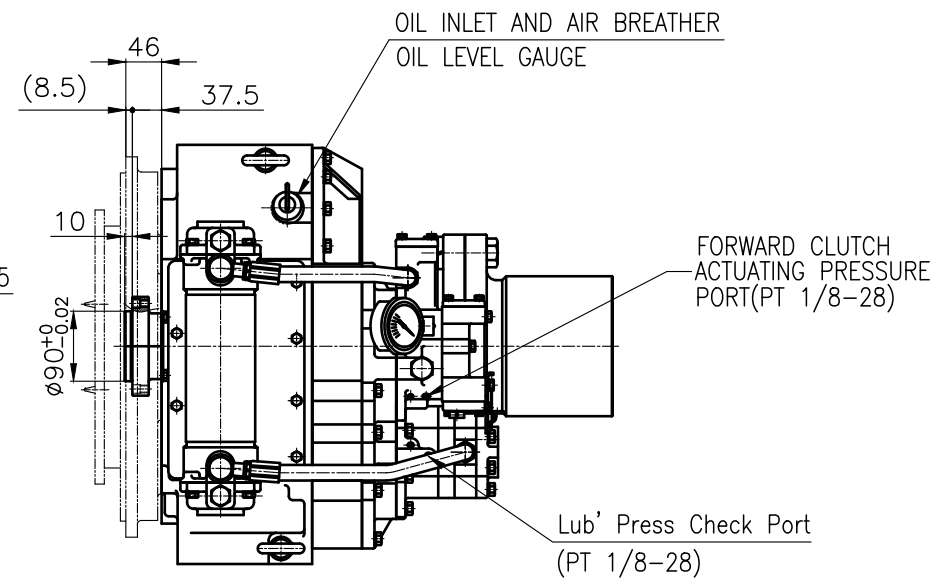


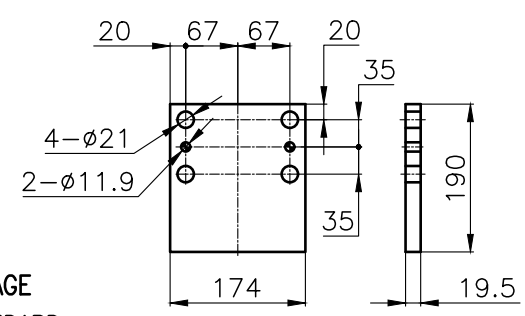
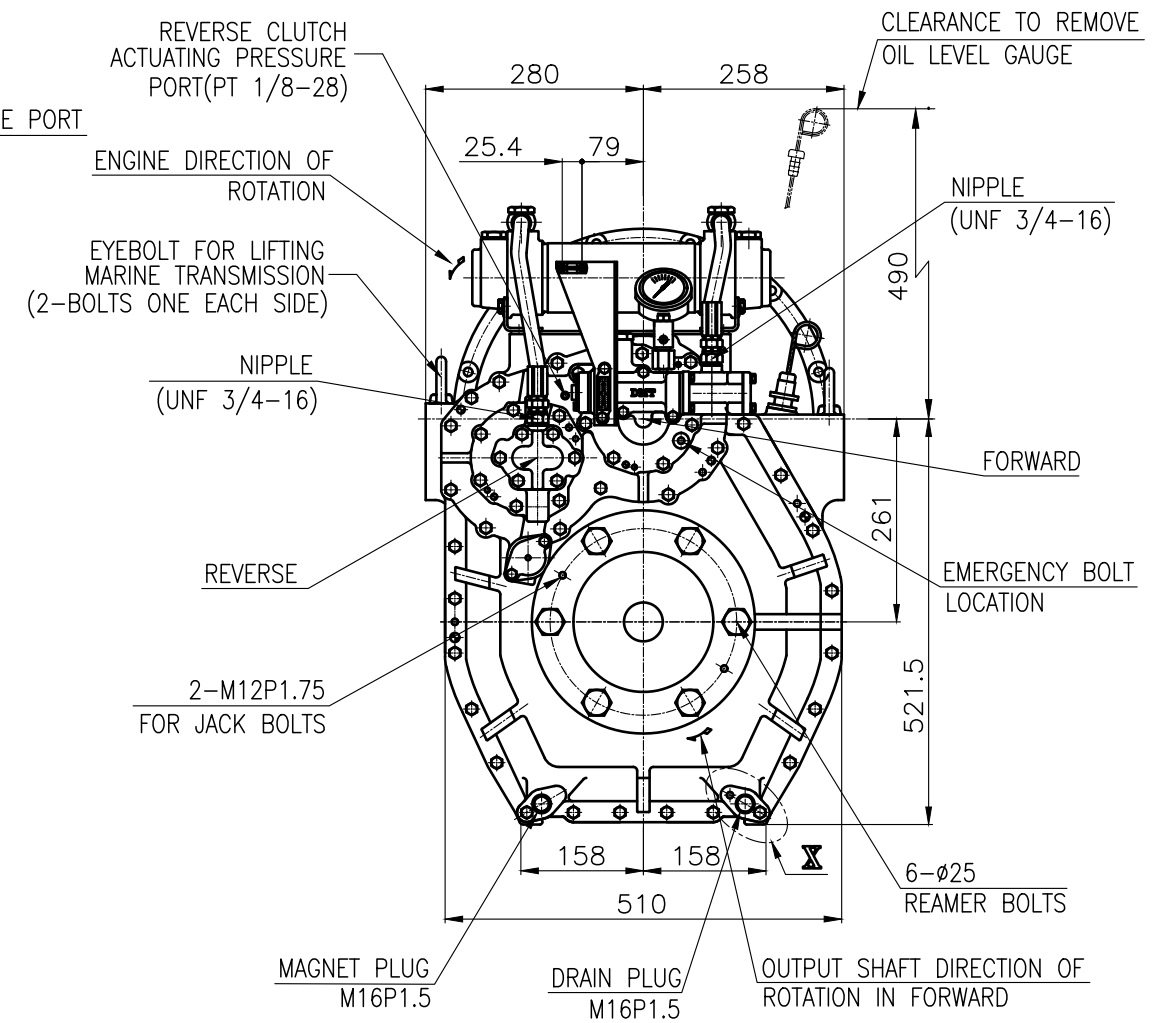
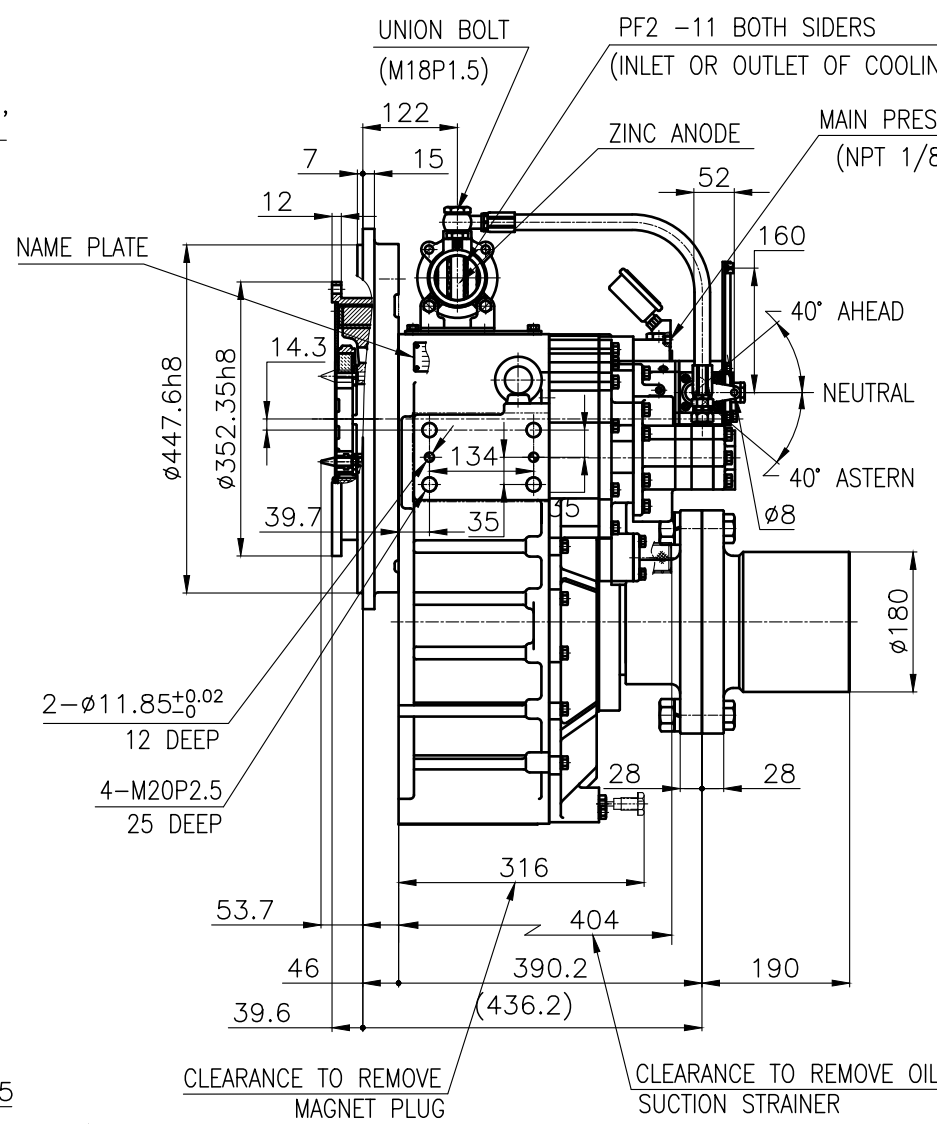
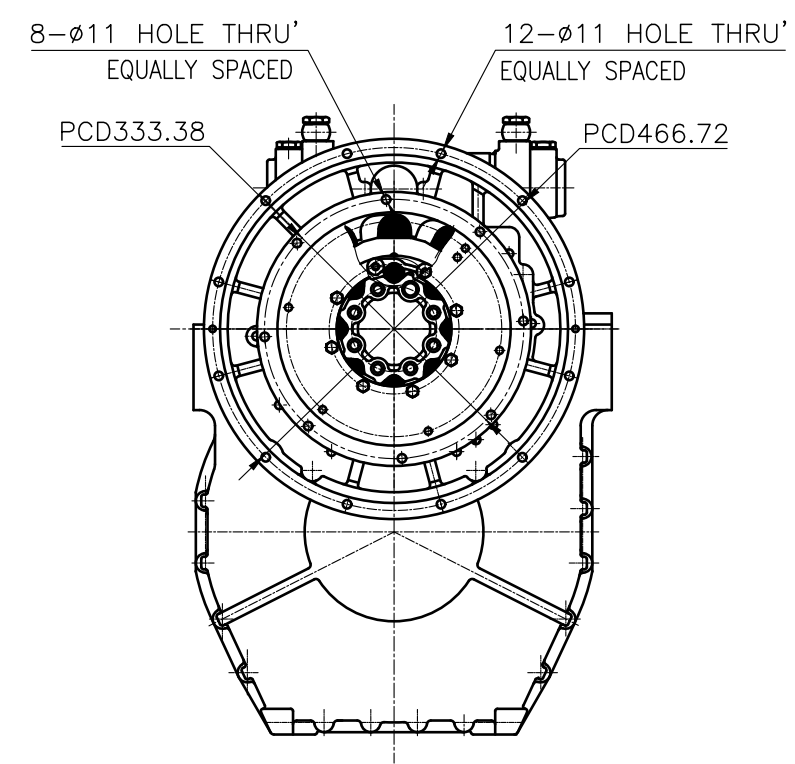
OUTPUT SHAFT COUPLING & PROPELLER COUPLING DIMENSION



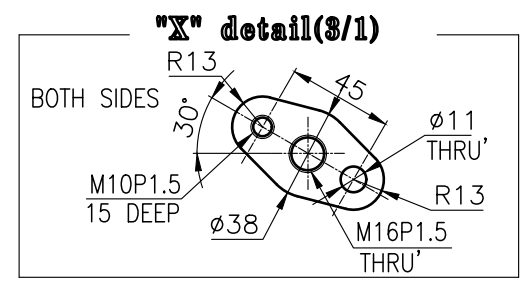
INPUT COUPLING DIMENSION



DMT 170HL MARINE TRANSMISSION SPECIFICATION	
GEAR RATIO	4.04, 4.48
TOTAL WEIGHT	APPROX. 352.5 kg(DRY)
OIL CAPACITY	APPROX. 10 L
OIL VISCOSITY	SAE # 30
OIL PRESSURE	1.96 ~ 2.54 MPa CLUTCH OIL
DIRECTION OF ROTATION IN FORWARD	INPUT C.C.W VIEWED FROM THE STERN OUTPUT C.W VIEWED FROM THE STERN
OIL CHANGE INTERVAL	THE FIRST 100HOURS OF INITIAL OPERATION AND EVERY 1000HOURS THEREAFTER
SHIFTING LIMIT	UNDER 50% OF THE RATED ENGINE SPEED
OIL COOLER	WATER FLOW 40 ~ 60L/min TEMPERATURE OF COOLING WATER MAX 32°C
OPERATING TORQUE OF SHIFTING LEVER	UNDER 2.94Nm



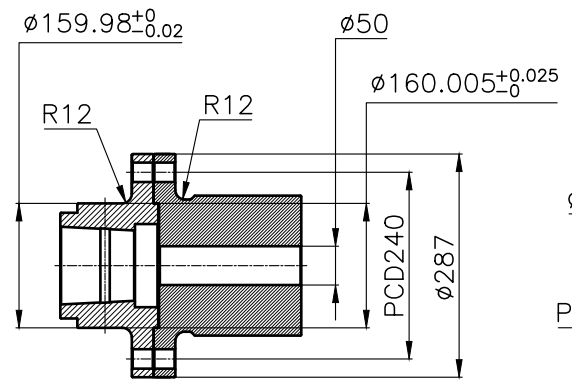
BRACKET DIMENSION



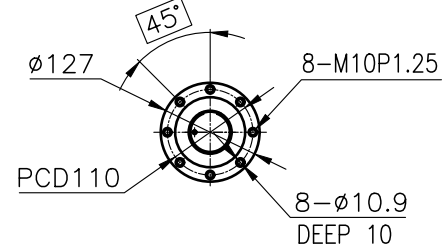
'X' detail(3/1)

- REMARK (HOT)
 1.HOUSING: SAE#2
 2.DRIVING RING: SAE 11.5"
 3.COUPLING TYPE : DUAL STAGE
 4.APPLICATION ENGINE : STANDARD

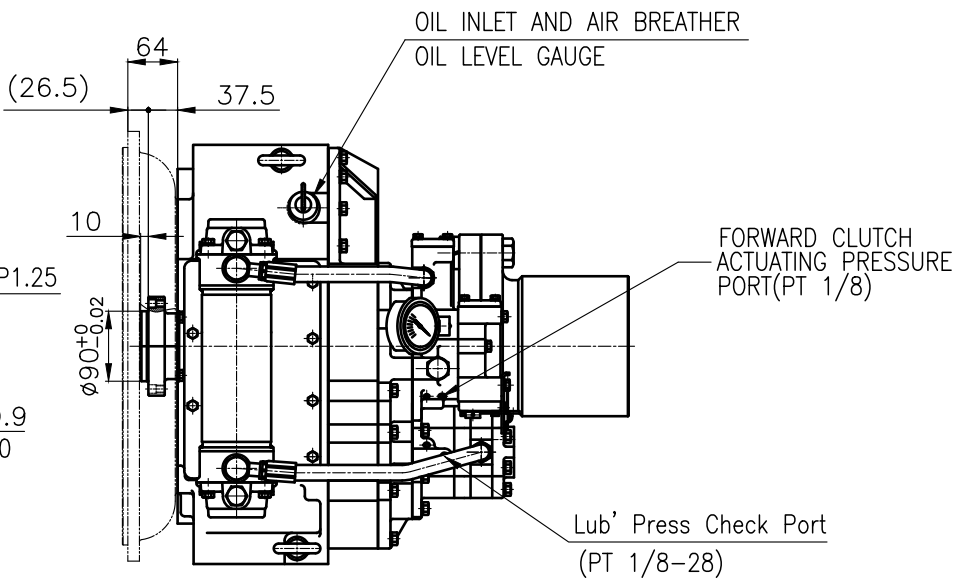
TOLERANCE ON		PART NO.		PART NAME		QTY		MATERIAL		SIZE		REMARKS	
분수	소수	각도	분수	소수	각도	분수	소수	각도	분수	소수	각도	분수	소수
±	±	±	±	±	±	±	±	±	±	±	±	±	±
FRACTIONS		DECIMALS		ANGLES		MATERIAL		TYPE		DMT170HL		ORIGINAL DWG. NO.	
±		±		±		DATE 2016.06.29		SCALE N/S		NAME		MARINE TRANSMISSION	
±		±		±		APPROVED BY JK.Kim		CHECKED BY TH.Cha		DESIGNED BY MA.Kim		DWG. NO. 17000GHB~C-2115DCH	
±		±		±		DRAWN		SIZE		A 3		CODE ID. NO.	
±		±		±		D-I INDUSTRIAL		SIZE		A 3		CODE ID. NO.	
±		±		±		1 초과 4 이하		± 0.3 ± 0.1 ± 0.05		REV. NO.		000	
±		±		±		4		± 0.5 ± 0.2 ± 0.07		REV. NO.		000	
±		±		±		16		± 0.7 ± 0.3 ± 0.1		REV. NO.		000	
±		±		±		63		± 1.2 ± 0.5 ± 0.2		REV. NO.		000	
±		±		±		250		± 2.0 ± 0.8 ± 0.3		REV. NO.		000	



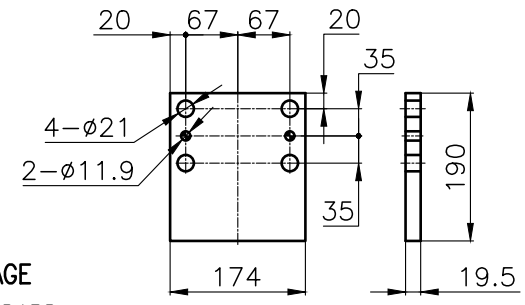
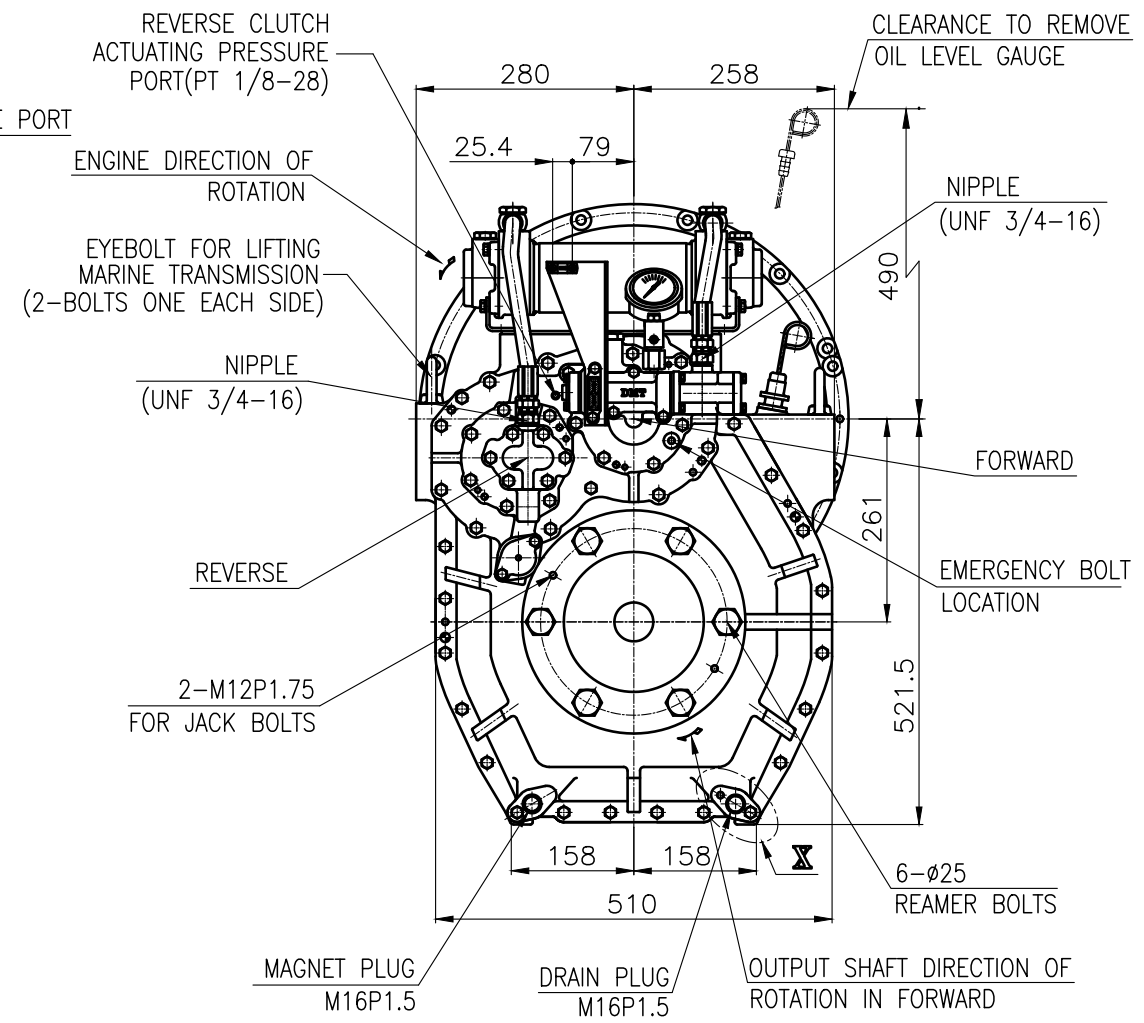
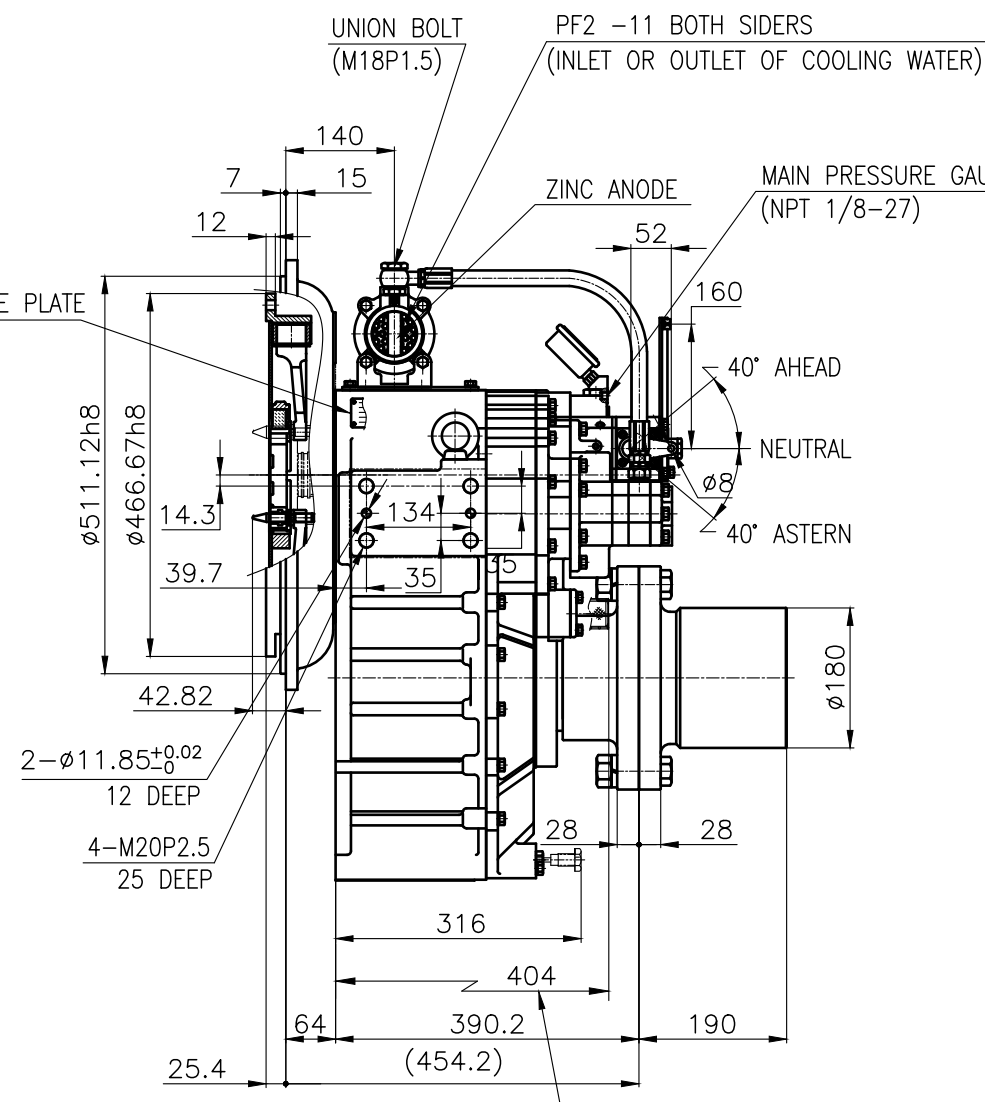
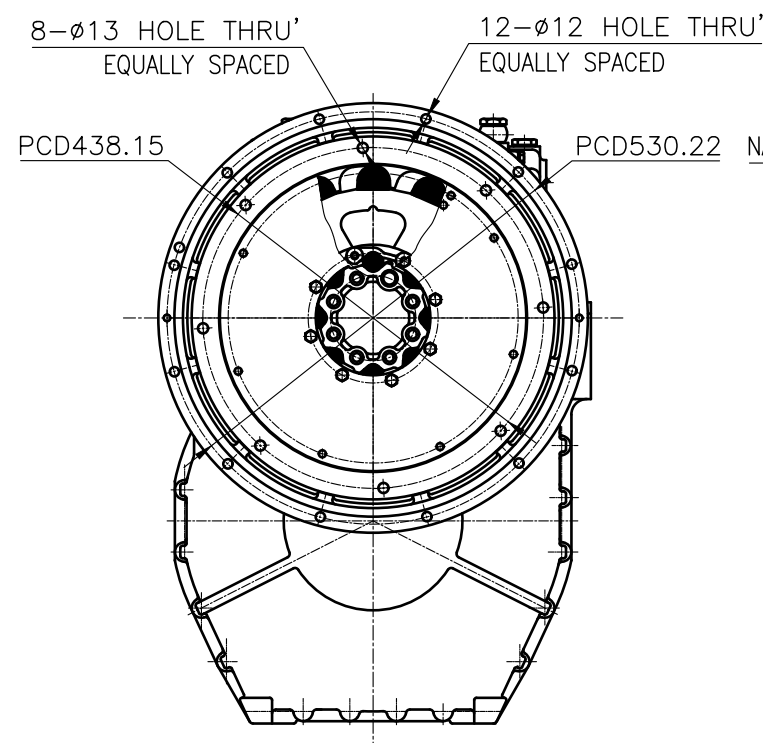
OUTPUT SHAFT COUPLING & PROPELLER COUPLING DIMENSION



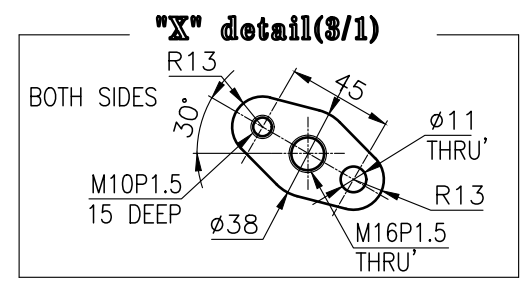
INPUT COUPLING DIMENSION



DMT 170HL MARINE TRANSMISSION SPECIFICATION			
GEAR RATIO	4.04, 4.48		
TOTAL WEIGHT	APPROX. 352.5 kg(DRY)		
OIL CAPACITY	APPROX. 10 L		
OIL VISCOSITY	SAE # 30		
OIL PRESSURE	1.96 ~ 2.54 MPa	CLUTCH OIL	
DIRECTION OF ROTATION IN FORWARD	INPUT	C.C.W VIEWED FROM THE STERN	
	OUTPUT	C.W VIEWED FROM THE STERN	
OIL CHANGE INTERVAL	THE FIRST 100HOURS OF INITIAL OPERATION AND EVERY 1000HOURS THEREAFTER		
SHIFTING LIMIT	UNDER 50% OF THE RATED ENGINE SPEED		
OIL COOLER	WATER FLOW 40 ~ 60L/min		
	TEMPERATURE OF COOLING WATER MAX 32°C		
OPERATING TORQUE OF SHIFTING LEVER	UNDER 2.94Nm		



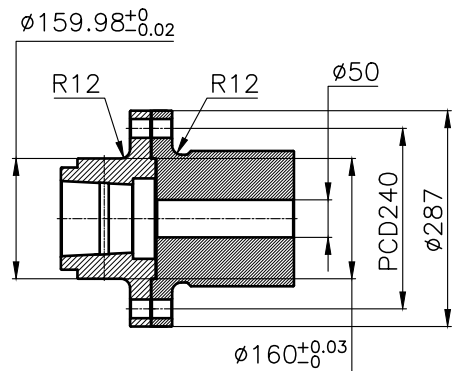
BRACKET DIMENSION



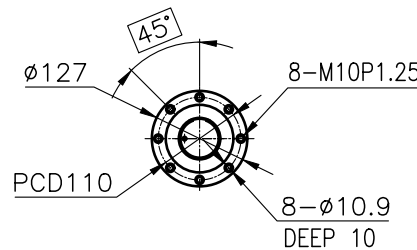
CLEARANCE TO REMOVE MAGNET PLUG
CLEARANCE TO REMOVE OIL SUCTION STRAINER

- REMARK (HOT)
1.HOUSING: SAE#1
2.DRIVING RING: SAE 14"
3.COUPLING TYPE : DUAL STAGE
4.APPLICATION ENGINE : STANDARD

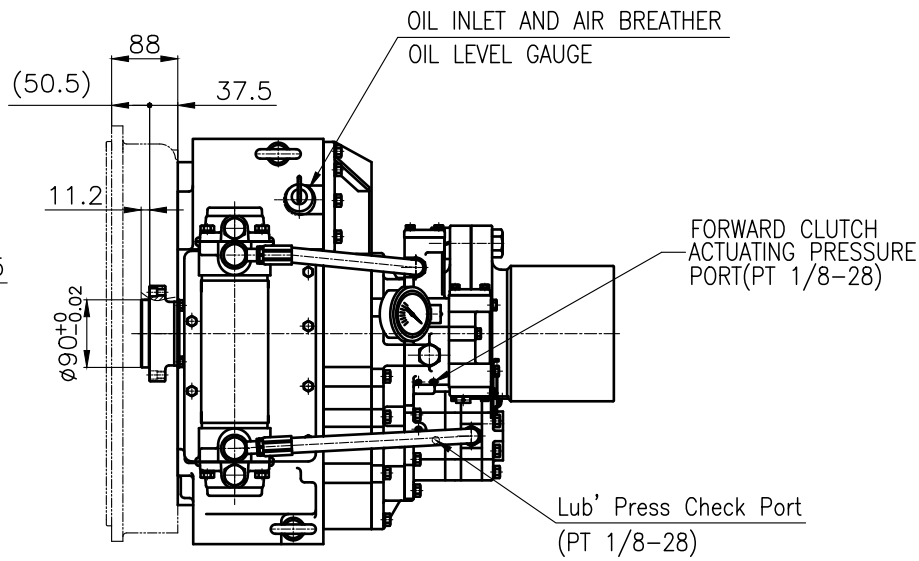
TOLERANCE ON				PART NO.		PART NAME		QTY		MATERIAL		SIZE		REMARKS																											
분수	소수	각도	공차	번호	품명	수량	재질	규격	비고																																
FRACTIONS	DECIMALS	ANGLES	TOLERANCE	NO.	PART NO.	PART NAME	QTY	MATERIAL	SIZE	REMARKS																															
±	±	±	±																																						
<table border="1"> <thead> <tr> <th>구분</th> <th>조급</th> <th>중급</th> <th>정급</th> </tr> </thead> <tbody> <tr> <td>1 초과 4 이하</td> <td>± 0.3</td> <td>± 0.1</td> <td>± 0.05</td> </tr> <tr> <td>4</td> <td>± 0.5</td> <td>± 0.2</td> <td>± 0.07</td> </tr> <tr> <td>16</td> <td>± 0.7</td> <td>± 0.3</td> <td>± 0.1</td> </tr> <tr> <td>63</td> <td>± 1.2</td> <td>± 0.5</td> <td>± 0.2</td> </tr> <tr> <td>250</td> <td>± 2.0</td> <td>± 0.8</td> <td>± 0.3</td> </tr> </tbody> </table>				구분	조급	중급	정급	1 초과 4 이하	± 0.3	± 0.1	± 0.05	4	± 0.5	± 0.2	± 0.07	16	± 0.7	± 0.3	± 0.1	63	± 1.2	± 0.5	± 0.2	250	± 2.0	± 0.8	± 0.3	2016.06.29 DATE 2016.06.29 DATE		N/S SCALE		JK.Kim TH.Cha MA.Kim		DMT170HL TYPE		MARINE TRANSMISSION NAME					
구분	조급	중급	정급																																						
1 초과 4 이하	± 0.3	± 0.1	± 0.05																																						
4	± 0.5	± 0.2	± 0.07																																						
16	± 0.7	± 0.3	± 0.1																																						
63	± 1.2	± 0.5	± 0.2																																						
250	± 2.0	± 0.8	± 0.3																																						
				2016.06.29 DATE		N/S SCALE		JK.Kim TH.Cha MA.Kim		DMT170HL TYPE		MARINE TRANSMISSION NAME																													
				2016.06.29 DATE		N/S SCALE		JK.Kim TH.Cha MA.Kim		DMT170HL TYPE		MARINE TRANSMISSION NAME																													
				2016.06.29 DATE		N/S SCALE		JK.Kim TH.Cha MA.Kim		DMT170HL TYPE		MARINE TRANSMISSION NAME																													
				2016.06.29 DATE		N/S SCALE		JK.Kim TH.Cha MA.Kim		DMT170HL TYPE		MARINE TRANSMISSION NAME																													
				2016.06.29 DATE		N/S SCALE		JK.Kim TH.Cha MA.Kim		DMT170HL TYPE		MARINE TRANSMISSION NAME																													
				2016.06.29 DATE		N/S SCALE		JK.Kim TH.Cha MA.Kim		DMT170HL TYPE		MARINE TRANSMISSION NAME																													
				2016.06.29 DATE		N/S SCALE		JK.Kim TH.Cha MA.Kim		DMT170HL TYPE		MARINE TRANSMISSION NAME																													
				2016.06.29 DATE		N/S SCALE		JK.Kim TH.Cha MA.Kim		DMT170HL TYPE		MARINE TRANSMISSION NAME																													
				2016.06.29 DATE		N/S SCALE		JK.Kim TH.Cha MA.Kim		DMT170HL TYPE		MARINE TRANSMISSION NAME																													
				2016.06.29 DATE		N/S SCALE		JK.Kim TH.Cha MA.Kim		DMT170HL TYPE		MARINE TRANSMISSION NAME																													
				2016.06.29 DATE		N/S SCALE		JK.Kim TH.Cha MA.Kim		DMT170HL TYPE		MARINE TRANSMISSION NAME																													
				2016.06.29 DATE		N/S SCALE		JK.Kim TH.Cha MA.Kim		DMT170HL TYPE		MARINE TRANSMISSION NAME																													
				2016.06.29 DATE		N/S SCALE		JK.Kim TH.Cha MA.Kim		DMT170HL TYPE		MARINE TRANSMISSION NAME																													
				2016.06.29 DATE		N/S SCALE		JK.Kim TH.Cha MA.Kim		DMT170HL TYPE		MARINE TRANSMISSION NAME																													
				2016.06.29 DATE		N/S SCALE		JK.Kim TH.Cha MA.Kim		DMT170HL TYPE		MARINE TRANSMISSION NAME																													
				2016.06.29 DATE		N/S SCALE		JK.Kim TH.Cha MA.Kim		DMT170HL TYPE		MARINE TRANSMISSION NAME																													
				2016.06.29 DATE		N/S SCALE		JK.Kim TH.Cha MA.Kim		DMT170HL TYPE		MARINE TRANSMISSION NAME																													
				2016.06.29 DATE		N/S SCALE		JK.Kim TH.Cha MA.Kim		DMT170HL TYPE		MARINE TRANSMISSION NAME																													
				2016.06.29 DATE		N/S SCALE		JK.Kim TH.Cha MA.Kim		DMT170HL TYPE		MARINE TRANSMISSION NAME																													
				2016.06.29 DATE		N/S SCALE		JK.Kim TH.Cha MA.Kim		DMT170HL TYPE		MARINE TRANSMISSION NAME																													
				2016.06.29 DATE		N/S SCALE		JK.Kim TH.Cha MA.Kim		DMT170HL TYPE		MARINE TRANSMISSION NAME																													
				2016.06.29 DATE		N/S SCALE		JK.Kim TH.Cha MA.Kim		DMT170HL TYPE		MARINE TRANSMISSION NAME																													
				2016.06.29 DATE		N/S SCALE		JK.Kim TH.Cha MA.Kim		DMT170HL TYPE		MARINE TRANSMISSION NAME																													
				2016.06.29 DATE		N/S SCALE		JK.Kim TH.Cha MA.Kim		DMT170HL TYPE		MARINE TRANSMISSION NAME																													
				2016.06.29 DATE		N/S SCALE		JK.Kim TH.Cha MA.Kim		DMT170HL TYPE		MARINE TRANSMISSION NAME																													
				2016.06.29 DATE		N/S SCALE		JK.Kim TH.Cha MA.Kim		DMT170HL TYPE		MARINE TRANSMISSION NAME																													
				2016.06.29 DATE		N/S SCALE		JK.Kim TH.Cha MA.Kim		DMT170HL TYPE		MARINE TRANSMISSION NAME																													
				2016.06.29 DATE		N/S SCALE		JK.Kim TH.Cha MA.Kim		DMT170HL TYPE		MARINE TRANSMISSION NAME																													
				2016.06.29 DATE		N/S SCALE		JK.Kim TH.Cha MA.Kim		DMT170HL TYPE		MARINE TRANSMISSION NAME																													
				2016.06.29 DATE		N/S SCALE		JK.Kim TH.Cha MA.Kim		DMT170HL TYPE		MARINE TRANSMISSION NAME																													
				2016.06.29 DATE		N/S SCALE		JK.Kim TH.Cha MA.Kim		DMT170HL TYPE		MARINE TRANSMISSION NAME																													
				2016.06.29 DATE		N/S SCALE		JK.Kim TH.Cha MA.Kim		DMT170HL TYPE		MARINE TRANSMISSION NAME																													
				2016.06.29 DATE		N/S SCALE		JK.Kim TH.Cha MA.Kim		DMT170HL TYPE		MARINE TRANSMISSION NAME																													
				2016.06.29 DATE		N/S SCALE		JK.Kim TH.Cha MA.Kim		DMT170HL TYPE		MARINE TRANSMISSION NAME																													
				2016.06.29 DATE		N/S SCALE		JK.Kim TH.Cha MA.Kim		DMT170HL TYPE		MARINE TRANSMISSION NAME																													
				2016.06.29 DATE		N/S SCALE		JK.Kim TH.Cha MA.Kim		DMT170HL TYPE		MARINE TRANSMISSION NAME																													
				2016.06.29 DATE		N/S SCALE		JK.Kim TH.Cha MA.Kim		DMT170HL TYPE		MARINE TRANSMISSION NAME																													
				2016.06.29 DATE		N/S SCALE		JK.Kim TH.Cha MA.Kim		DMT170HL TYPE		MARINE TRANSMISSION NAME																													
				2016.06.29 DATE		N/S SCALE		JK.Kim TH.Cha MA.Kim		DMT170HL TYPE		MARINE TRANSMISSION NAME																													
				2016.06.29 DATE		N/S SCALE		JK.Kim TH.Cha MA.Kim		DMT170HL TYPE		MARINE TRANSMISSION NAME																													
				2016.06.29 DATE		N/S SCALE		JK.Kim TH.Cha MA.Kim		DMT170HL TYPE		MARINE TRANSMISSION NAME																													
				2016.06.29 DATE		N/S SCALE		JK.Kim TH.Cha MA.Kim		DMT170HL TYPE		MARINE TRANSMISSION NAME																													
				2016.06.29 DATE		N/S SCALE		JK.Kim TH.Cha MA.Kim		DMT170HL TYPE		MARINE TRANSMISSION NAME																													
				2016.06.29 DATE		N/S SCALE		JK.Kim TH.Cha MA.Kim		DMT170HL TYPE		MARINE TRANSMISSION NAME																													
				2016.06.29 DATE		N/S SCALE		JK.Kim TH.Cha MA.Kim		DMT170HL TYPE		MARINE TRANSMISSION NAME																													
				2016.06.29 DATE		N/S SCALE		JK.Kim TH.Cha MA.Kim		DMT170HL TYPE		MARINE TRANSMISSION NAME																													
				2016.06.29 DATE		N/S SCALE		JK.Kim TH.Cha MA.Kim		DMT170HL TYPE		MARINE TRANSMISSION NAME																													
				2016.06.29 DATE		N/S SCALE		JK.Kim TH.Cha MA.Kim		DMT170HL TYPE		MARINE TRANSMISSION NAME																													
				2016.06.29 DATE		N/S SCALE		JK.Kim TH.Cha MA.Kim		DMT170HL TYPE		MARINE TRANSMISSION NAME																													
				2016.06.29 DATE		N/S SCALE		JK.Kim TH.Cha MA.Kim		DMT170HL TYPE		MARINE TRANSMISSION NAME																													
				2016.06.29 DATE		N/S SCALE		JK.Kim TH.Cha MA.Kim		DMT170HL TYPE		MARINE TRANSMISSION NAME																													
				2016.06.29 DATE		N/S SCALE		JK.Kim TH.Cha MA.Kim		DMT170HL TYPE		MARINE TRANSMISSION NAME																													
				2016.06.29 DATE		N/S SCALE		JK.Kim TH.Cha MA.Kim		DMT170HL TYPE		MARINE TRANSMISSION NAME																													
				2016.06.29 DATE		N/S SCALE		JK.Kim TH.Cha MA.Kim		DMT170HL TYPE		MARINE TRANSMISSION NAME																													
				2016.06.29 DATE		N/S SCALE		JK.Kim TH.Cha MA.Kim		DMT170HL TYPE		MARINE TRANSMISSION NAME																													
				2016.06.29 DATE		N/S SCALE		JK.Kim TH.Cha MA.Kim		DMT170HL TYPE		MARINE TRANSMISSION NAME																													
				2016.06.29 DATE		N/S SCALE		JK.Kim TH.Cha MA.Kim		DMT170HL TYPE		MARINE TRANSMISSION NAME																													
				2016.06.29 DATE		N/S SCALE		JK.Kim TH.Cha MA.Kim		DMT170HL TYPE		MARINE TRANSMISSION NAME																													
				2016.06.29 DATE		N/S SCALE		JK.Kim TH.Cha MA.Kim		DMT170HL TYPE		MARINE TRANSMISSION NAME																													
				2016.06.29 DATE		N/S SCALE		JK.Kim TH.Cha MA.Kim		DMT170HL TYPE		MARINE TRANSMISSION NAME																													
				2016.06.29 DATE		N/S SCALE		JK.Kim TH.Cha MA.Kim		DMT170HL TYPE		MARINE TRANSMISSION NAME																													
				2016.06.29 DATE		N/S SCALE		JK.Kim TH.Cha MA.Kim		DMT170HL TYPE		MARINE TRANSMISSION NAME																													
				2016.06.29 DATE		N/S SCALE		JK.Kim TH.Cha MA.Kim		DMT170HL TYPE		MARINE TRANSMISSION NAME																													
				2016.06.29 DATE		N/S SCALE		JK.Kim TH.Cha MA.Kim		DMT170HL TYPE		MARINE TRANSMISSION NAME																													
				2016.06.29 DATE		N/S SCALE		JK.Kim TH.Cha MA.Kim		DMT170HL TYPE		MARINE TRANSMISSION NAME																													
				2016.06.29 DATE																																					



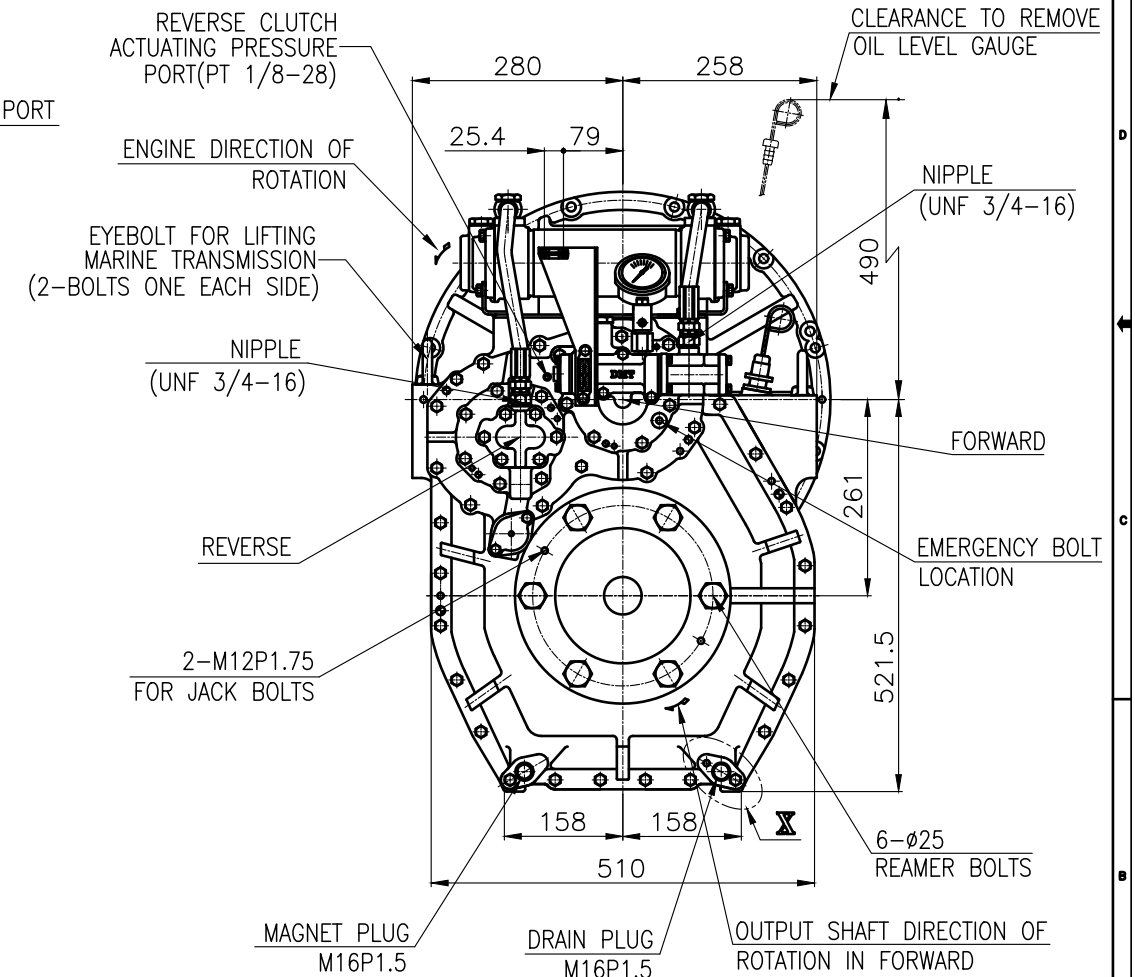
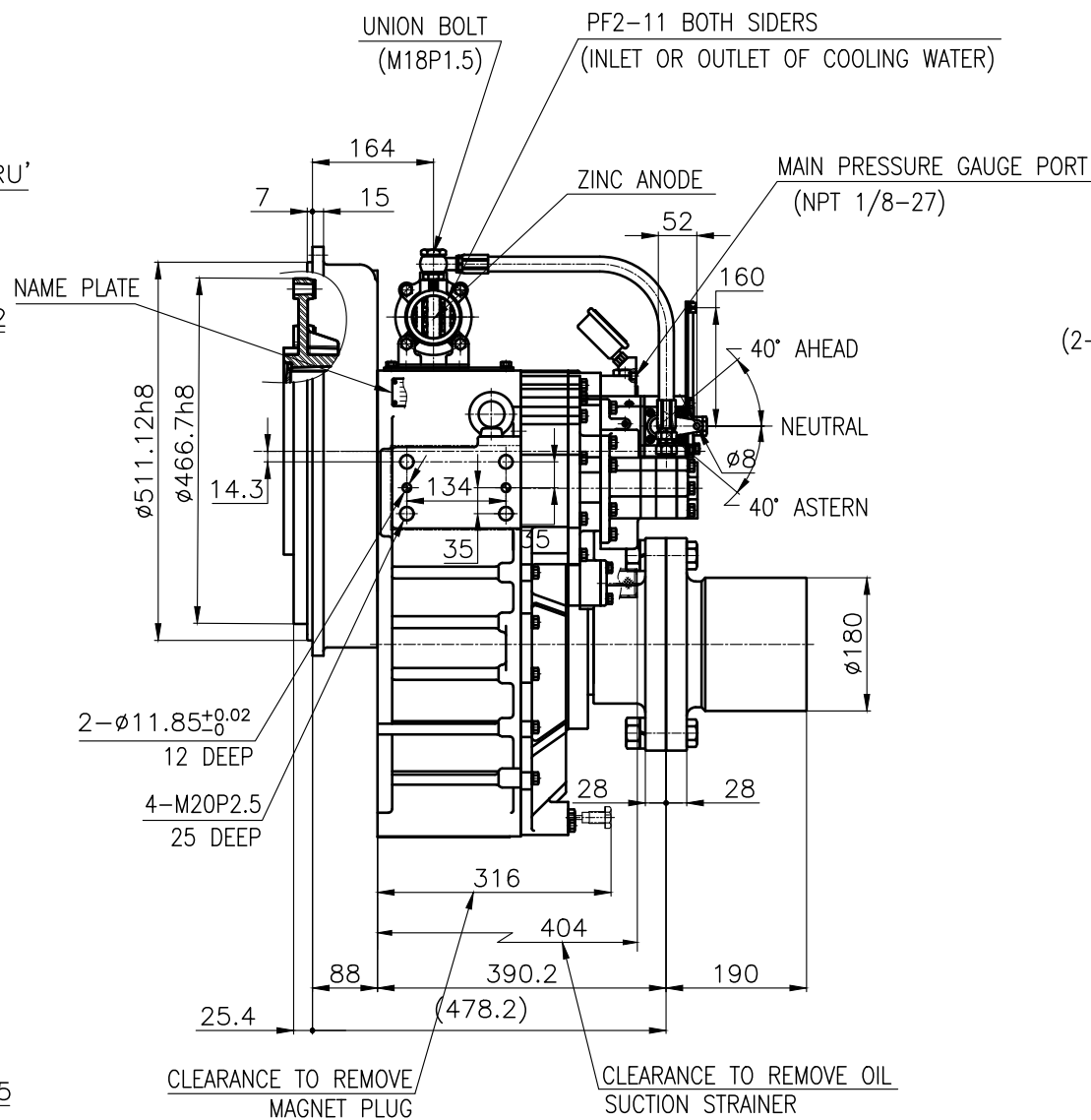
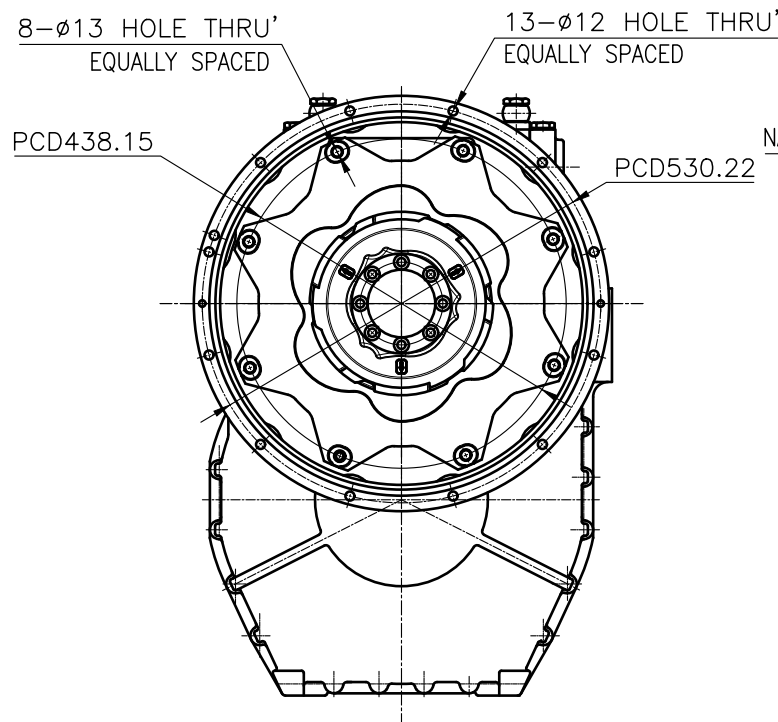
OUTPUT SHAFT COUPLING & PROPELLER COUPLING DIMENSION



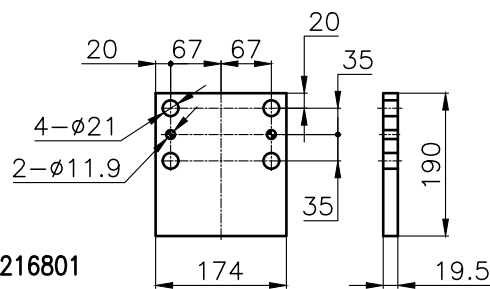
INPUT COUPLING DIMENSION



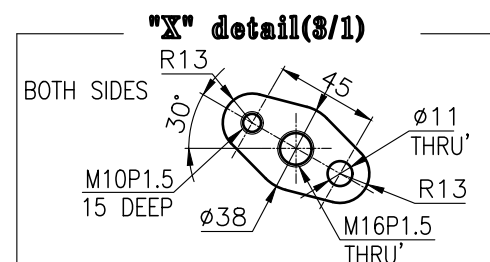
DMT 170HL MARINE TRANSMISSION SPECIFICATION	
GEAR RATIO	4.04, 4.48
TOTAL WEIGHT	APPROX. 352.5 kg(DRY)
OIL CAPACITY	APPROX. 10 L
OIL VISCOSITY	SAE # 30
OIL PRESSURE	1.96 ~ 2.54 MPa CLUTCH OIL
DIRECTION OF ROTATION	INPUT C.C.W VIEWED FROM THE STERN
IN FORWARD	OUTPUT C.W VIEWED FROM THE STERN
OIL CHANGE INTERVAL	THE FIRST 100HOURS OF INITIAL OPERATION AND EVERY 1000HOURS THEREAFTER
SHIFTING LIMIT	UNDER 50% OF THE RATED ENGINE SPEED
OIL COOLER	WATER FLOW 40 ~ 60L/min TEMPERATURE OF COOLING WATER MAX 32°C
OPERATING TORQUE OF SHIFTING LEVER	UNDER 2.94Nm



- REMARK (HOT)
 1.HOUSING: SAE#1
 2.DRIVING RING: SAE 14"
 3.COUPLING TYPE
 -CENTA Flex Coupling : 77216801
 4.APPLICATION ENGINE : STANDARD



BRACKET DIMENSION



TOLERANCE ON				PART NO.		PART NAME		Q'TY		MATERIAL		SIZE		REMARKS	
FRACTIONS	DECIMALS	ANGLES	±	±	±	±	±	±	±	±	±	±	±	±	±
1/16	0.0625	30°	±0.1	±0.1	±0.1	±0.1	±0.1	±0.1	±0.1	±0.1	±0.1	±0.1	±0.1	±0.1	±0.1
1/32	0.03125	45°	±0.05	±0.05	±0.05	±0.05	±0.05	±0.05	±0.05	±0.05	±0.05	±0.05	±0.05	±0.05	±0.05
1/64	0.015625	60°	±0.02	±0.02	±0.02	±0.02	±0.02	±0.02	±0.02	±0.02	±0.02	±0.02	±0.02	±0.02	±0.02
1/128	0.0078125	90°	±0.01	±0.01	±0.01	±0.01	±0.01	±0.01	±0.01	±0.01	±0.01	±0.01	±0.01	±0.01	±0.01
1/256	0.00390625	120°	±0.005	±0.005	±0.005	±0.005	±0.005	±0.005	±0.005	±0.005	±0.005	±0.005	±0.005	±0.005	±0.005
1/512	0.001953125	150°	±0.002	±0.002	±0.002	±0.002	±0.002	±0.002	±0.002	±0.002	±0.002	±0.002	±0.002	±0.002	±0.002
1/1024	0.0009765625	180°	±0.001	±0.001	±0.001	±0.001	±0.001	±0.001	±0.001	±0.001	±0.001	±0.001	±0.001	±0.001	±0.001

번호	17000GHB~C-114CFRH	DATE	2018.06.29	SCALE	N/S
APPROVED BY	JK.Kim	CHECKED BY	TH.Cha	DRAWN	CH.Baek
TYPE	DMT170HL	NAME	MARINE TRANSMISSION	DWG. NO.	17000GHB~C-114CFRH
SIZE	A 8	CODE ID. NO.		REV.	000