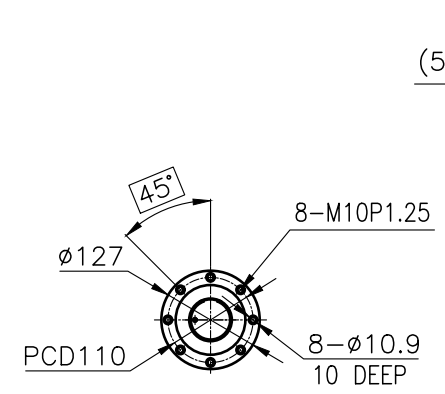
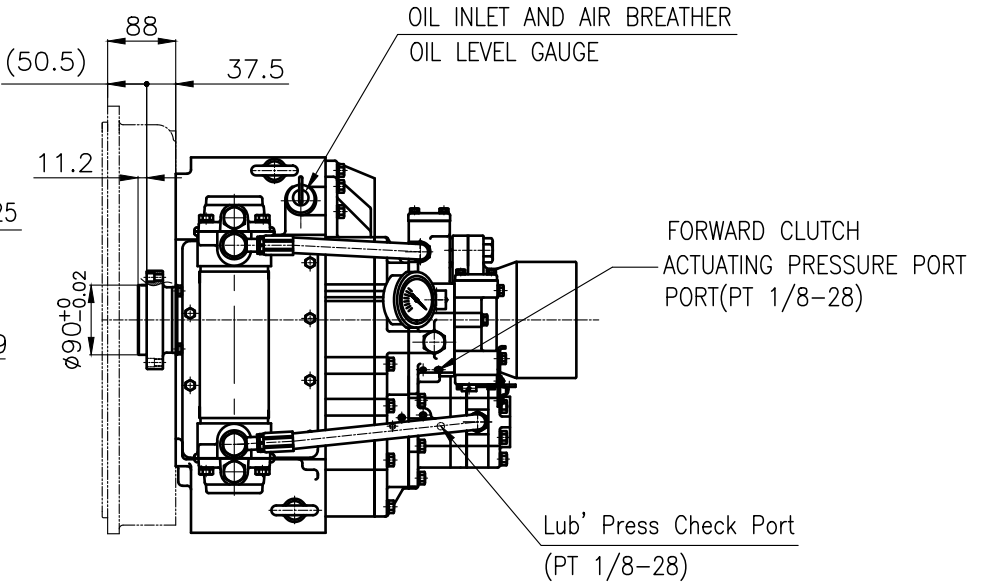


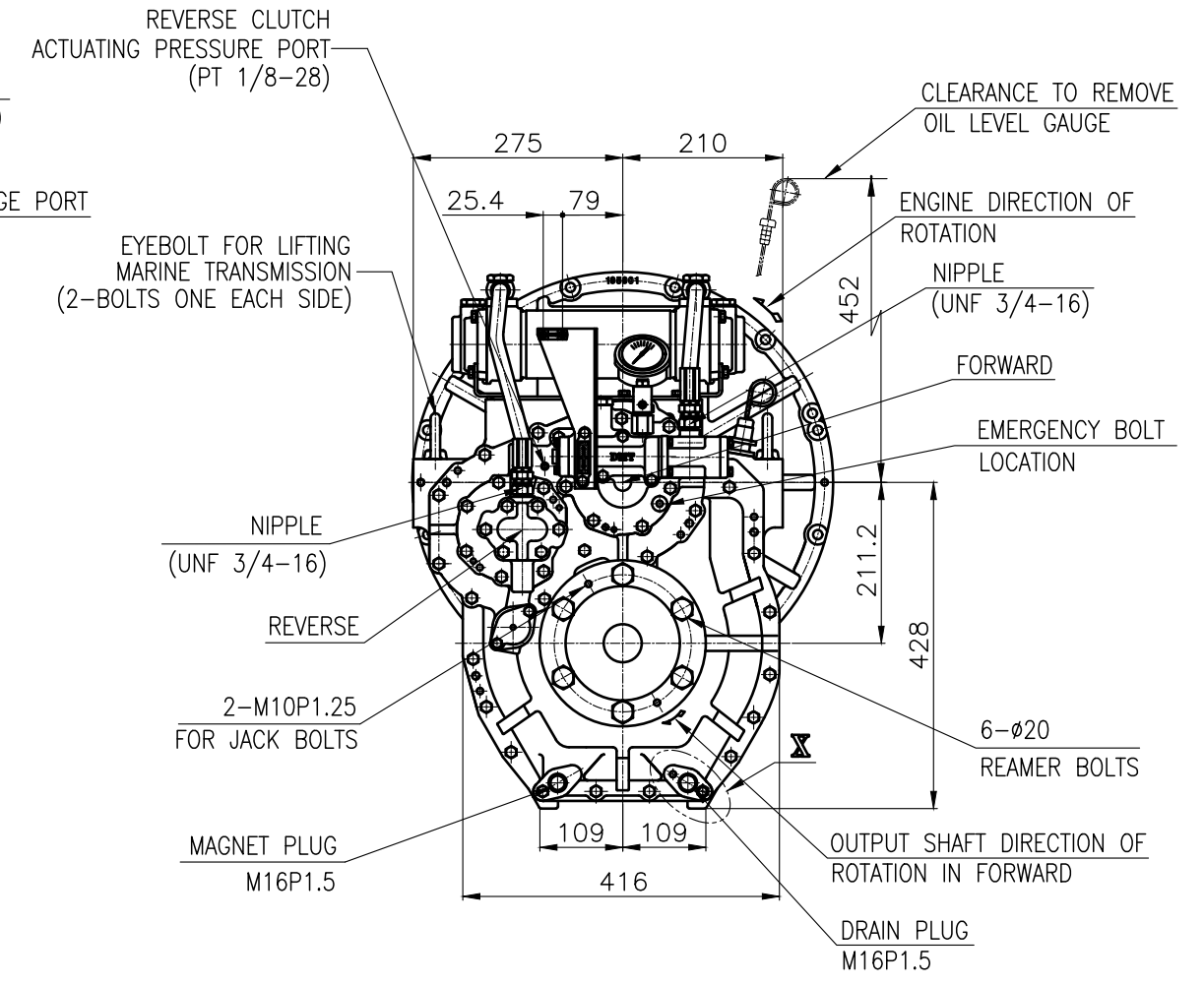
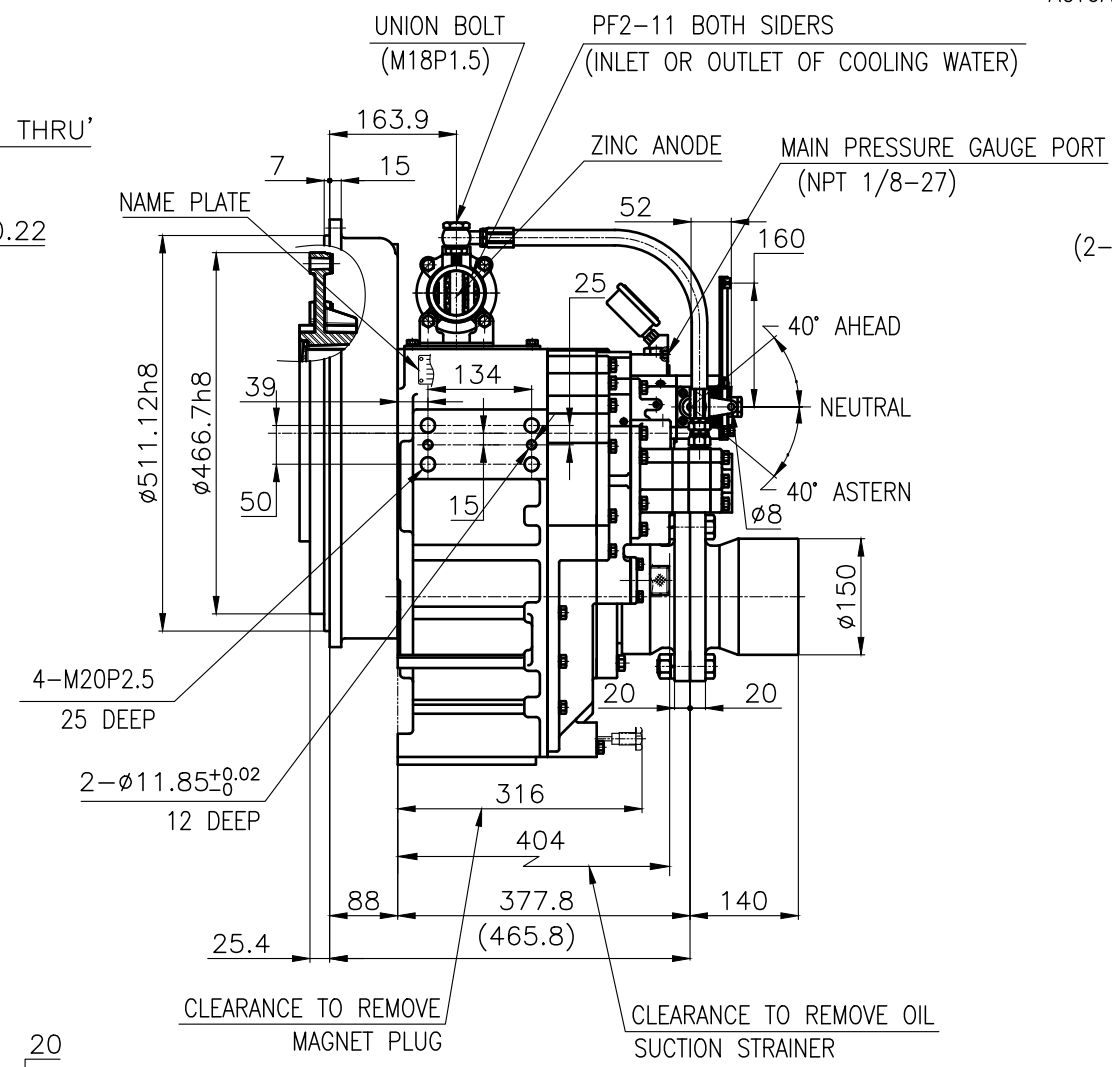
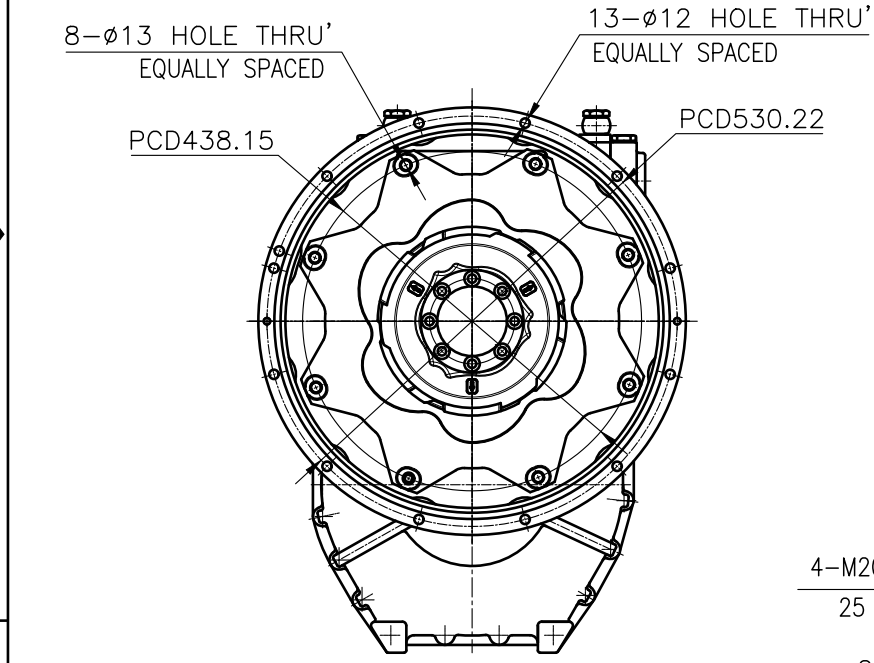
OUTPUT SHAFT COUPLING & PROPELLER COUPLING DIMENSION



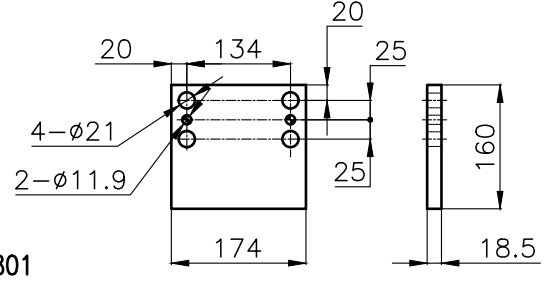
INPUT COUPLING DIMENSION



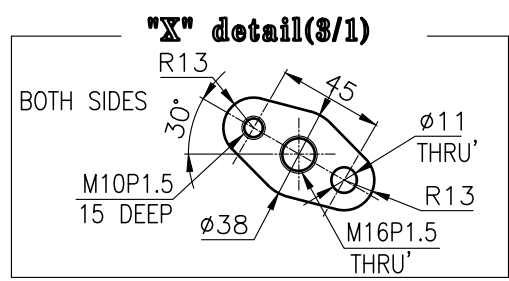
DMT 150H MARINE TRANSMISSION SPECIFICATION			
GEAR RATIO	1.83, 2.09, 2.51, 3.08, 3.43		
TOTAL WEIGHT	APPROX. 287 kg(DRY)		
OIL CAPACITY	APPROX. 5.5 L		
OIL VISCOSITY	SAE # 30		
OIL PRESSURE	1.96 ~ 2.54 MPa	CLUTCH OIL	
DIRECTION OF ROTATION	INPUT	C.C.W VIEWED FROM THE STERN	
	OUTPUT	C.W VIEWED FROM THE STERN	
OIL CHANGE INTERVAL	THE FIRST 100HOURS OF INITIAL OPERATION AND EVERY 1000HOURS THEREAFTER		
SHIFTING LIMIT	UNDER 50% OF THE RATED ENGINE SPEED		
OIL COOLER	WATER FLOW 40 ~ 60L/min		TEMPERATURE OF COOLING WATER MAX 32°C
	OPERATING TORQUE OF SHIFTING LEVER		UNDER 2.94Nm



- REMARK (HOT)  
 1.HOUSING: SAE#1  
 2.DRIVING RING: SAE 14"  
 3.COUPLING TYPE  
 -CENTA Flex Coupling : 77216801  
 4.APPLICATION ENGINE : STANDARD



BRACKET DIMENSION



公差 TOLERANCE ON				번호 NO.		품 PART NO.		품 PART NAME		개수 Q'TY	재 MATERIAL	규 SIZE	비 REMARKS
분수 FRACTIONS	소수 DECIMALS	각도 ANGLES	±	±	±	±	±	±	±	±	±	±	±
±	±	±	±	±	±	±	±	±	±	±	±	±	±
검사 가공				DATE 2018.06.29		SCALE N/S		TYPE		DMT150H ORIGINAL DWG. NO.			
1 초과 4 이하 ±0.3 ±0.1 ±0.05				APPROVED BY JK.Kim		CHECKED BY TH.Cha		DRAWN CH.Baek		DESIGNED		NAME MARINE TRANSMISSION	
4 16 ±0.5 ±0.2 ±0.07				DWG. NO. 15000GA~E-114CFRH		REV. 000		D-I INDUSTRIAL		크기 SIZE A 3		코드 번호 CODE ID. NO.	
16 63 ±0.7 ±0.3 ±0.1				D-I INDUSTRIAL		A 3		크기 SIZE		코드 번호 CODE ID. NO.		SHEET 1 OF 1	
63 250 ±1.2 ±0.5 ±0.2				D-I INDUSTRIAL		A 3		크기 SIZE		코드 번호 CODE ID. NO.		841x594	
250 1000 ±2.0 ±0.8 ±0.3				D-I INDUSTRIAL		A 3		크기 SIZE		코드 번호 CODE ID. NO.		841x594	