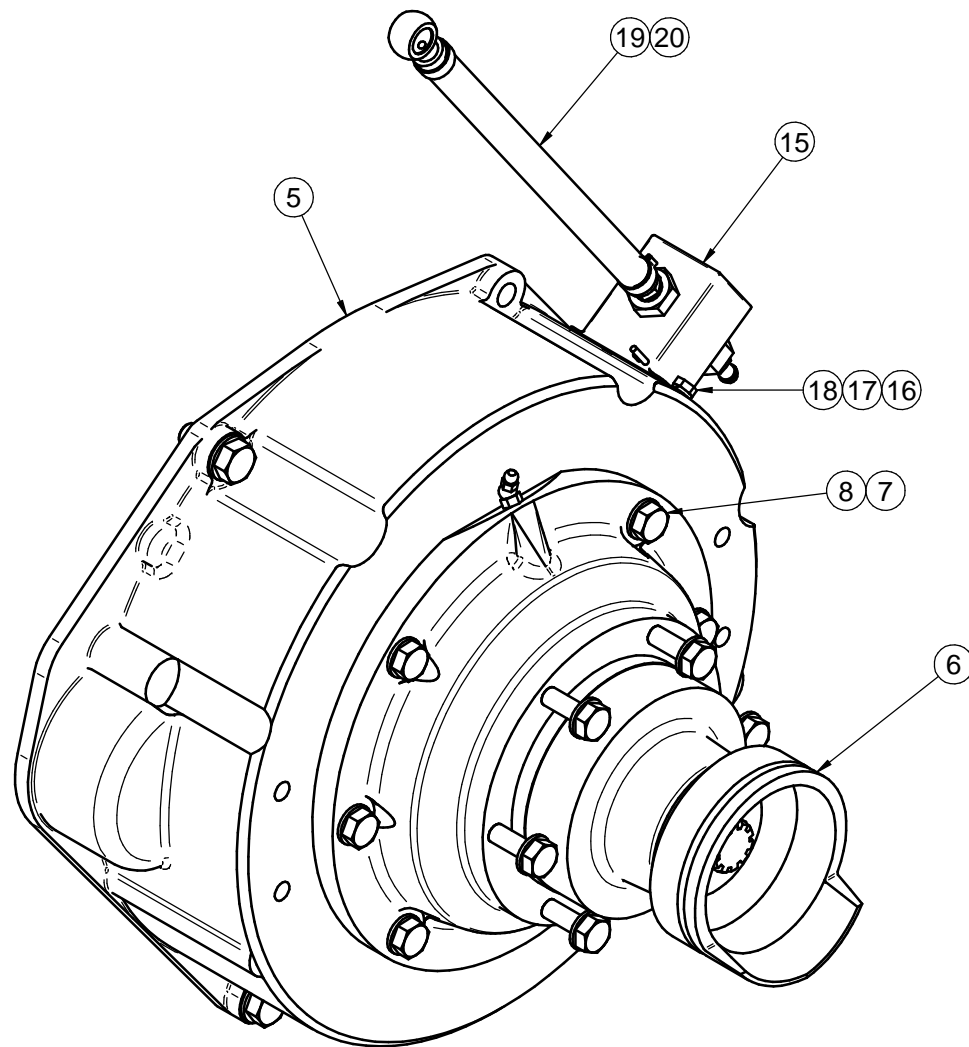
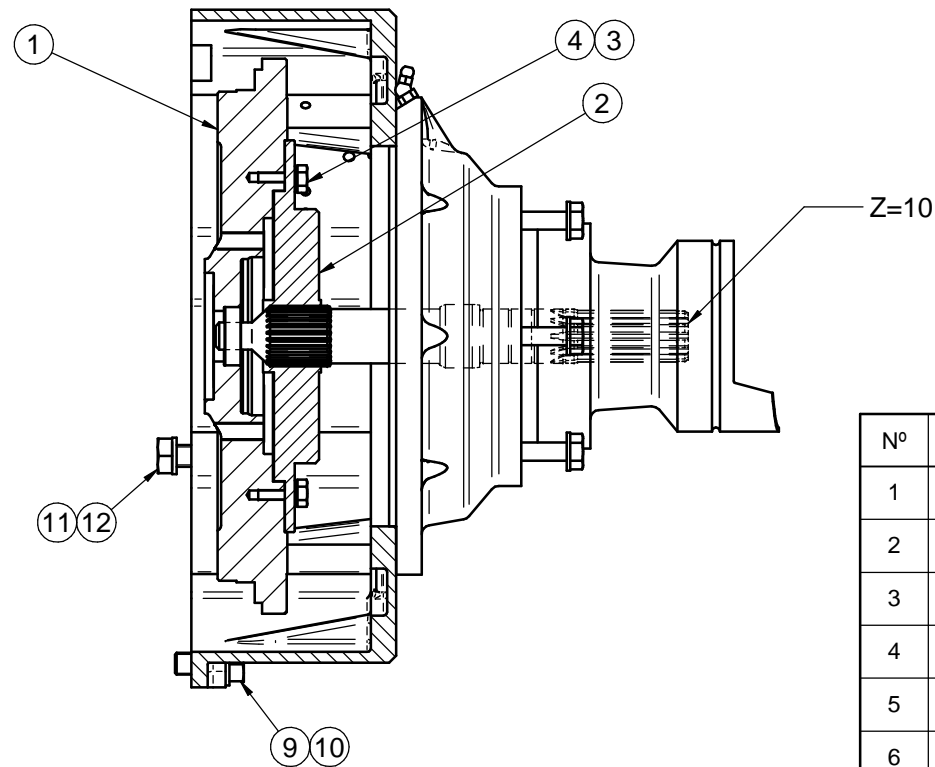


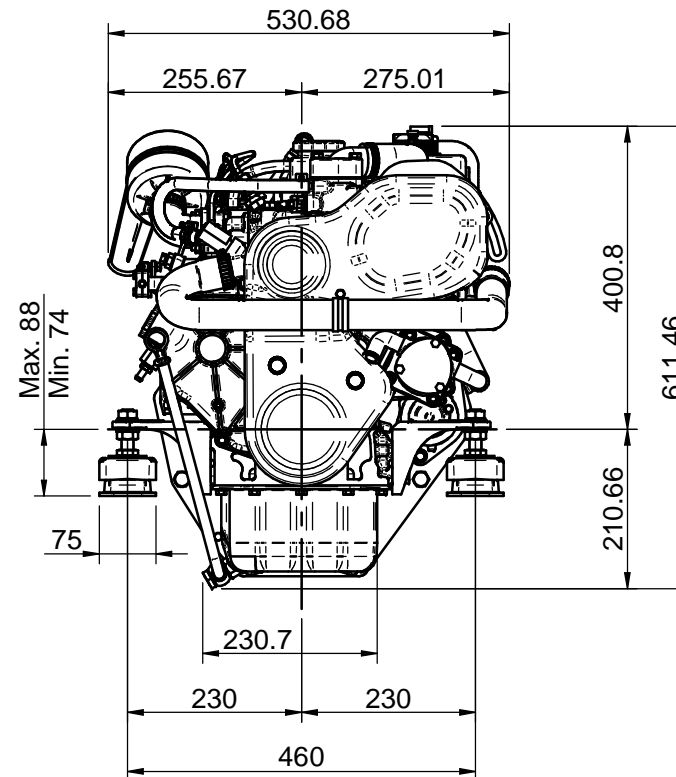
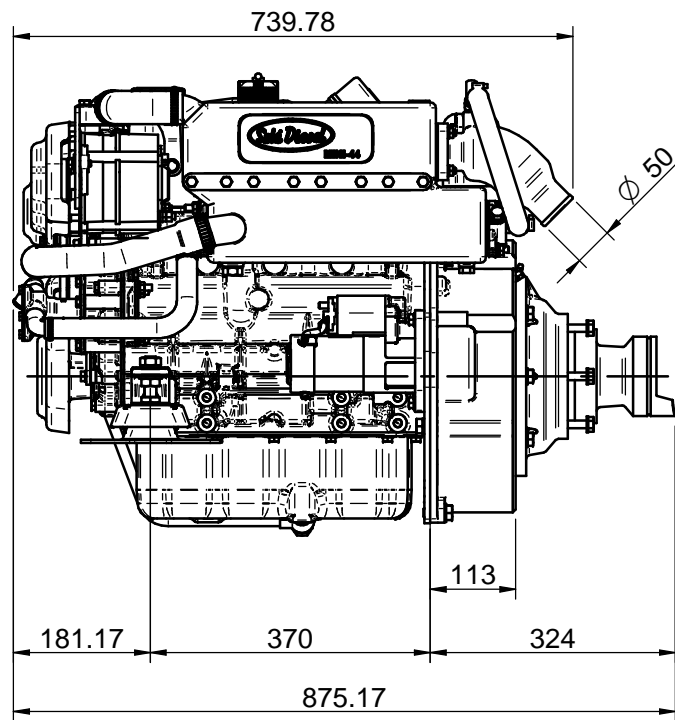
CORTE A-A



* No representado en el dibujo / Not shown in the drawing

Nº	Referencia	Descripción	Material	Cant.
1	17322027.4.1	VOLANTE MECANIZADO SAE 6,5		1
2	17210071	DISCO DE EMBRAGUE		1
3	53038008	ARANDELA ESTRIADA Ø8 DIN-6798A	Acero	6
4	52102257	TORNILLO DIN 933 M8x20 8.8	Acero 8.8	6
5	13410018	CARCASA ACOPLAMIENTO SAE 7	Aluminio	1
6	17210100.1R	KIT ZDRIVE VOLVO 270/280/290 Z=10		1
7	53038010	ARANDELA ESTRIADA Ø10 DIN-6798A	ACERO	6
8	52102309	TORNILLO M10x30 DIN 933	Acero	6
9	52202359	TORNILLO M12x1.25, L= 30 DIN 933	ACERO 8.8	3
10	53038012	ARANDELA ESTRIADA Ø12 DIN-6798A		3
11	53033012	ARANDELA GROWER Ø12 DIN 127	Acero	2
12	52102358	TORNILLO M12 x 25 DIN 933	ACERO 8.8	2
13	13814072	RACOR	F-111	2
14	57000361	ARANDELA	Aluminio	2
15	13814070	BOMBA ALIMENTACIÓN ELECTRICA 12V		1
16	51030006	ARANDELA PLANA Ø6 DIN125	Acero	2
17	53033006	ARANDELA GROWER DIN 127 Ø6	Acero	2
18	52102155	TORNILLO M6x12 DIN 933	ACERO 8.8	2
19	13814012	TUBO BOMBA A FILTRO		1
20	51086015	ABRAZADERA UNA OREJA CON ARO	AISI-304	1
21*	58088283	ABRAZ. PLASTICO 3,6 x 140 NEGRA	PLASTICO	2
22*	60900126	TERMINAL AZUL	(Ninguno)	1

Medidas Nominales (mm)	100	KIT COLA ZDRIVE VOLVO 270/280/290 Z=10			
	30	KIT Z-DRIVE VOLVO 270/280/290 Z=10			
	a	MATERIAL	ACABADO	TRATAMIENTO	PRESENTACION
	6				ESCALA
	0	DIBUJADO	VERIFICADO	GRADO PRECISION	FECHA CREACION
	a	X.MARGARIT	S.SUBACH	MEDIO	17/03/2014
	6	Grado de Precisión DIN:7168		ÚLTIMA REVISIÓN	
	Fino	±0.05			
	Medio	±0.1			
	Bastio	±0.2			
		±0.1			
		±0.2			
		±0.3			
		±0.5			
		±0.8			
		±1.2			
		±1.5			
		±2			
		±3			
		±5			
		±10			
		±20			
		±30			
		±50			
		±70			
		±100			
		±150			
		±200			
		±300			
		±500			
		±700			
		±1000			
		±1500			
		±2000			
		±3000			
		±5000			
		±7000			
		±10000			
		±15000			
		±20000			
		±30000			
		±50000			
		±70000			
		±100000			
		±150000			
		±200000			
		±300000			
		±500000			
		±700000			
		±1000000			
		±1500000			
		±2000000			
		±3000000			
		±5000000			
		±7000000			
		±10000000			
		±15000000			
		±20000000			
		±30000000			
		±50000000			
		±70000000			
		±100000000			
		±150000000			
		±200000000			
		±300000000			
		±500000000			
		±700000000			
		±1000000000			
		±1500000000			
		±2000000000			
		±3000000000			
		±5000000000			
		±7000000000			
		±10000000000			
		±15000000000			
		±20000000000			
		±30000000000			
		±50000000000			
		±70000000000			
		±100000000000			
		±150000000000			
		±200000000000			
		±300000000000			
		±500000000000			
		±700000000000			
		±1000000000000			
		±1500000000000			
		±2000000000000			
		±3000000000000			
		±5000000000000			
		±7000000000000			
		±10000000000000			
		±15000000000000			
		±20000000000000			
		±30000000000000			
		±50000000000000			
		±70000000000000			
		±100000000000000			
		±150000000000000			
		±200000000000000			
		±300000000000000			
		±500000000000000			
		±700000000000000			
		±1000000000000000			
		±1500000000000000			
		±2000000000000000			
		±3000000000000000			
		±5000000000000000			
		±7000000000000000			
		±10000000000000000			
		±15000000000000000			
		±20000000000000000			
		±30000000000000000			
		±50000000000000000			
		±70000000000000000			
		±100000000000000000			
		±150000000000000000			
		±200000000000000000			
		±300000000000000000			
		±500000000000000000			
		±700000000000000000			
		±1000000000000000000			
		±1500000000000000000			
		±2000000000000000000			
		±3000000000000000000			
		±5000000000000000000			
		±7000000000000000000			
		±10000000000000000000			
		±15000000000000000000			
		±20000000000000000000			
		±30000000000000000000			
		±50000000000000000000			
		±70000000000000000000			
		±100000000000000000000			
		±150000000000000000000			
		±200000000000000000000			
		±300000000000000000000			
		±500000000000000000000			
		±700000000000000000000			
		±1000000000000000000000			
		±1500000000000000000000			
		±2000000000000000000000			
		±3000000000000000000000			
		±5000000000000000000000			
		±7000000000000000000000			
		±10000000000000000000000			
		±15000000000000000000000			
		±20000000000000000000000			
		±30000000000000000000000			
		±50000000000000000000000			
		±70000000000000000000000			
		±100000000000000000000000			
		±150000000000000000000000			
		±200000000000000000000000			
		±300000000000000000000000			
		±500000000000000000000000			
		±700000000000000000000000			
		±1000000000000000000000000			
		±1500000000000000000000000			
		±2000000000000000000000000			
		±3000000000000000000000000			
		±5000000000000000000000000			
		±7000000000000000000000000			
		±10000000000000000000000000			
		±15000000000000000000000000			
		±20000000000000000000000000			
		±30000000000000000000000000			
		±50000000000000000000000000			
		±70000000000000000000000000			
		±100000000000000000000000000			
		±150000000000000000000000000			
		±200000000000000000000000000			
		±300000000000000000000000000			
		±500000000000000000000000000			
		±700000000000000000000000000			
		±1000000000000000000000000000			
		±1500000000000000000000000000			
		±2000000000000000000000000000			
		±3000000000000000000000000000			
		±5000000000000000000000000000			
		±7000000000000000000000000000			
		±10000000000000000000000000000			
		±15000000000000000000000000000			
		±20000000000000000000000000000			
		±30000000000000000000000000000			
		±50000000000000000000000000000			
		±70000000000000000000000000000			
		±100000000000000000000000000000			
		±150000000000000000000000000000			
		±200000000000000000000000000000			
		±300000000000000000000000000000			
		±500000000000000000000000000000			
		±700000000000000000000000000000			
		±1000000000000000000000000000000			
		±1500000000000000000000000000000			
		±2000000000000000000000000000000			
		±3000000000000000000000000000000			
		±5000000000000000000000000000000			
		±7000000000000000000000000000000			
		±10000000000000000000000000000000			
		±15000000000000000000000000000000			
		±20000000000000000000000000000000			
		±30000000000000000000000000000000			
		±50000000000000000000000000000000			
		±70000000000000000000000000000000			
		±100			



DATOS TÉCNICOS (TECHNICAL DATA)

Manguera agua salada (Sea water hose): Ø20mm
 Manguera entrada combustible (Fuel hose intake): Ø8mm
 Manguera retorno combustible (Fuel hose outlet): Ø5mm

Especificaciones del producto pueden ser modificadas sin previo aviso
 (Product specifications are subject to change without notice)

KIT COLA ZDRIVE VOLVO 270/280/290 Z=10, MOTOR MINI-44 v6

KIT ZDRIVE VOLVO 270/280/290 Z=10, MINI-44 v6 ENGINE

MATERIAL	ACABADO	TRATAMIENTO	PRESENTACIÓN	ESCALA
DIBUJADO	VERIFICADO	GRADO PRECISIÓN	FECHA CREACIÓN	ÚLTIMA REVISIÓN
J.RODRÍGUEZ	P.IGLESIAS		13/07/2018	---



SOLE, S.A.

17310100.4_MINI44