
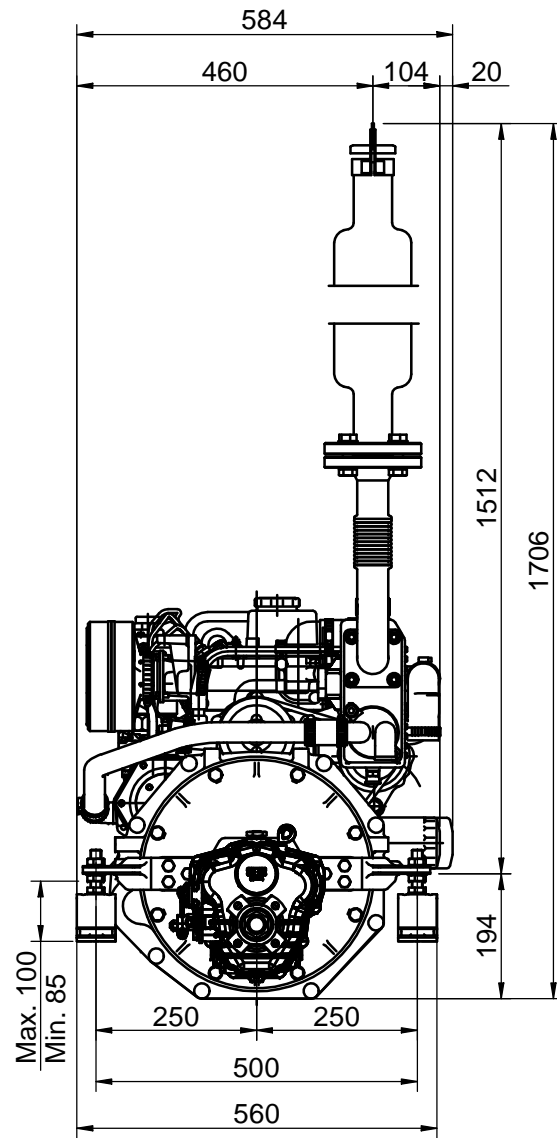
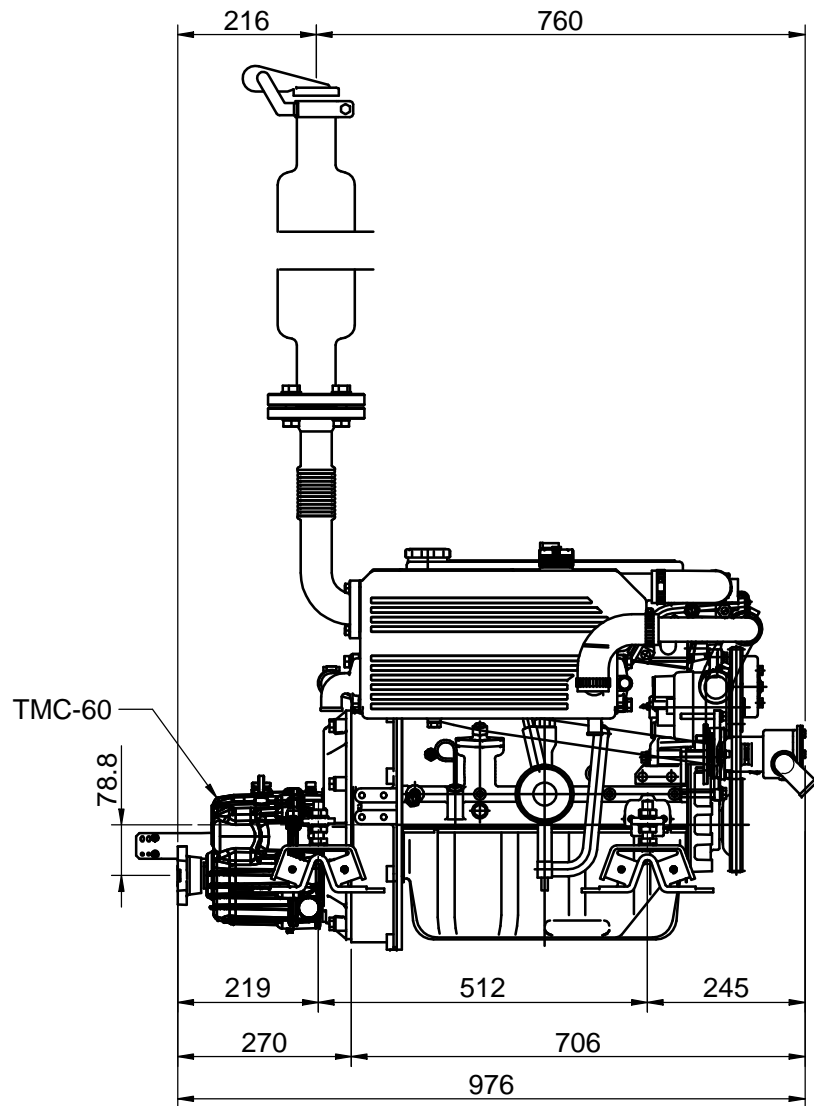


Nº	Referencia	Descripción	Material	Cant.
1	17113115	CODO ESCAPE SECO Y FLEXIBLE		1
2	17113022	JUNTA CODO ESCAPE	Cobre	1
3	17113018	SILENCIADOR		1
4	51030016	ARANDELA PLANA Ø16 DIN-125	S-275 JR	4
5	52101463	TORNILLO M16x50 DIN-931	ACERO 8.8	4
6	53033016C	ARANDELA GROWER Ø16 DIN 127 CINCADA	S-275 JR	4
7	52120016	TUERCA M16 DIN-934	ACERO 8.8	4
8	17113019	TAPA ANTILLUVIA	Acero	1

Medidas Nominales (mm)					KIT ESCAPE SECO Y SILENCIOSO (S)				
100	a	300	±0.2						
30	a	100	±0.15						
6	a	30	±0.1		MATERIAL	ACABADO	TRATAMIENTO	PRESENTACIÓN	ESCALA
0	a	6	±0.05		DIBUJADO	VERIFICADO	GRADO PRECISIÓN	FECHA CREACIÓN	ÚLTIMA REVISIÓN
			Fino ±0.05		X.MARGARIT	S. UBACH	MEDIO	28/08/2013	20/04/2020
			Medio ±0.1		 <b>SOLÉ, S.A.</b>				
			Basto ±0.2						



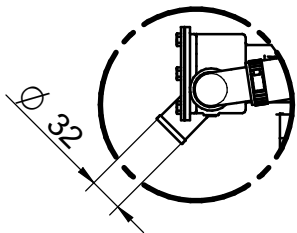
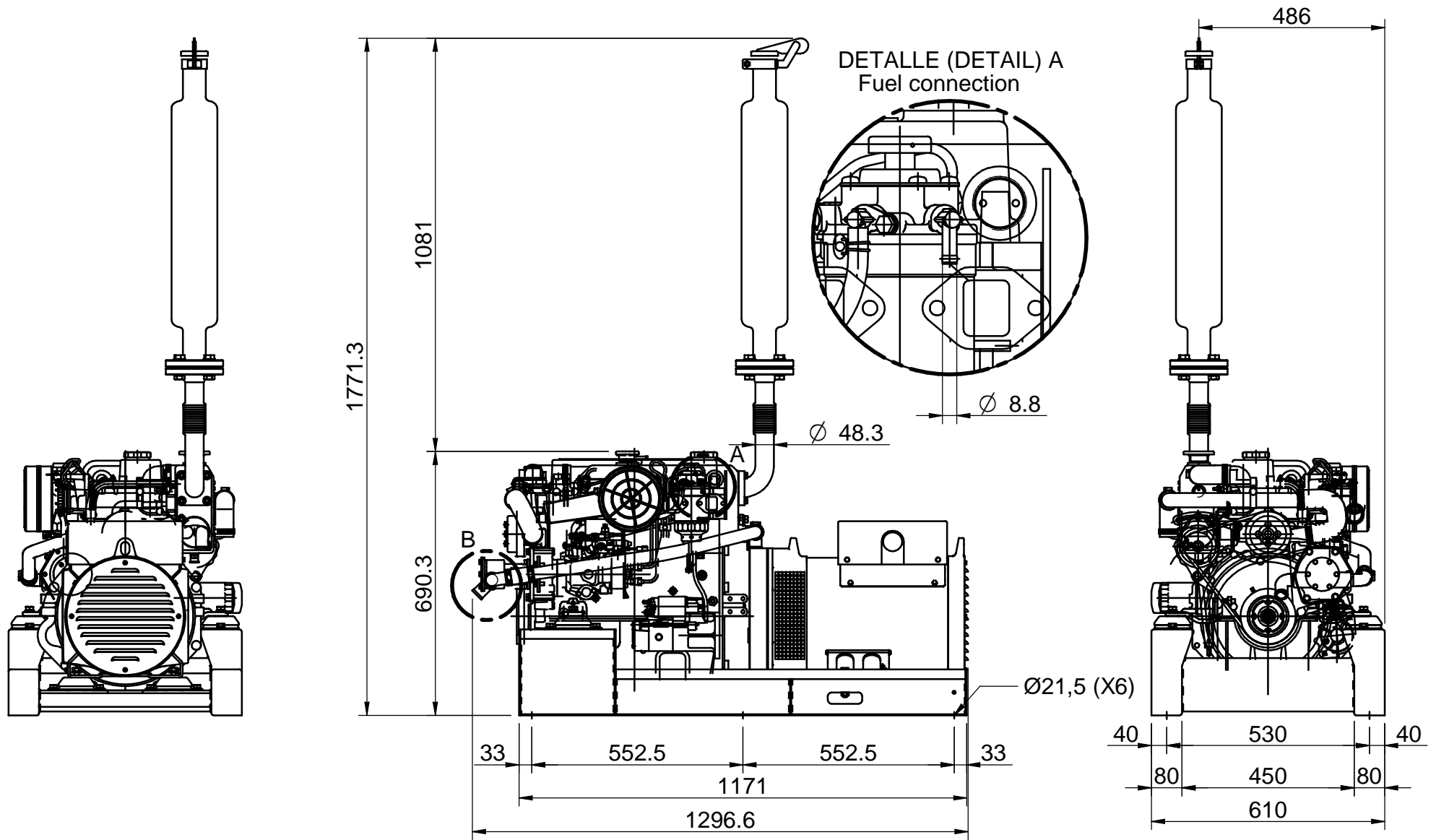
**DATOS TÉCNICOS / TECHNICAL DATA**

(1) Manguera agua salada: Ø32mm  
Sea water hose: Ø32mm

(2) Manguera entrada combustible: Ø8mm  
Fuel hose intake: Ø8mm

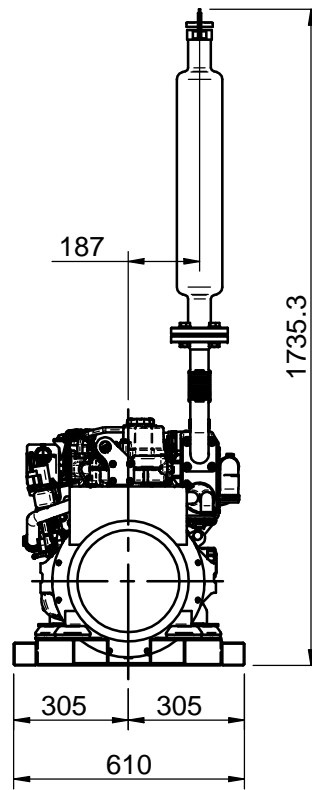
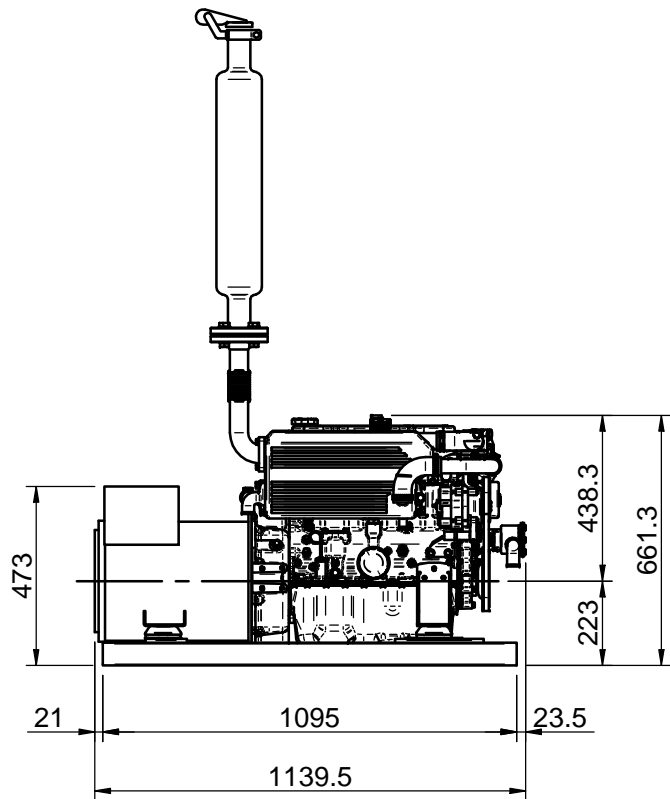
(3) Manguera retorno combustible: Ø6mm  
Diesel Fuel return hose: Ø6mm

Medidas Nominales (mm)		100	MINI 62 CON ESCAPE SECO Y SILENCIOSO			
		30	MINI 62 WITH DRY EXHAUST SET			
		6	MATERIAL	ACABADO	TRATAMIENTO	PRESENTACION
		0	DIBUJADO	VERIFICADO	GRADO PRECISIÓN	FECHA CREACIÓN
		0	X.MARGARIT	S. UBACH	MEDIO	28/08/2013
		0	Escala		ÚLTIMA REVISIÓN	
		0	---		---	
Grado de Precisión DIN-7168		Fino	Solé Diesel		17113118_MI62	
		Medio	SOLÉ, S.A.			
		Basto				

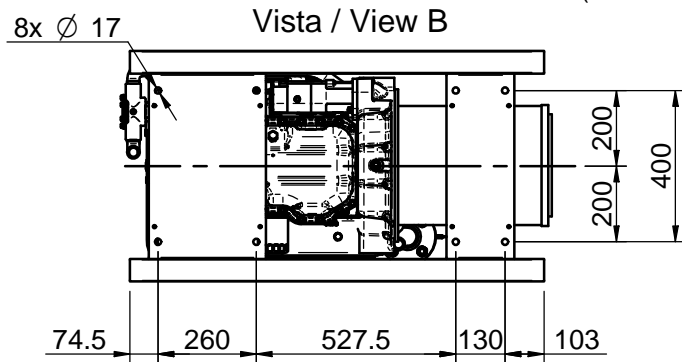
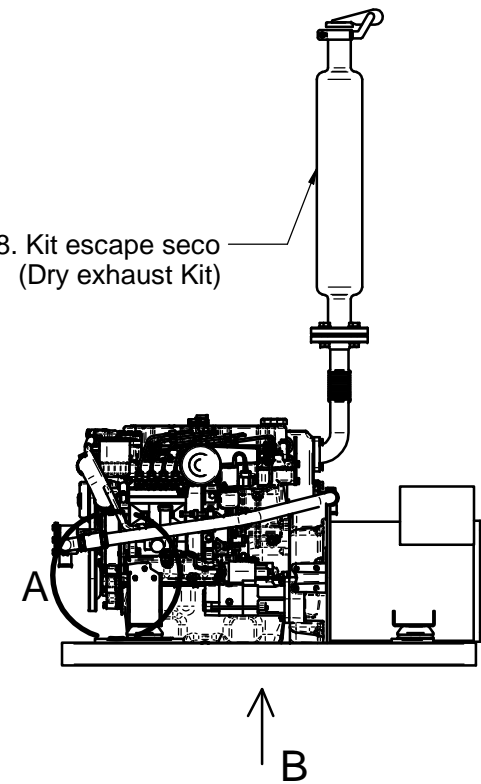


DETALLE (DETAIL) B  
Sea water connection

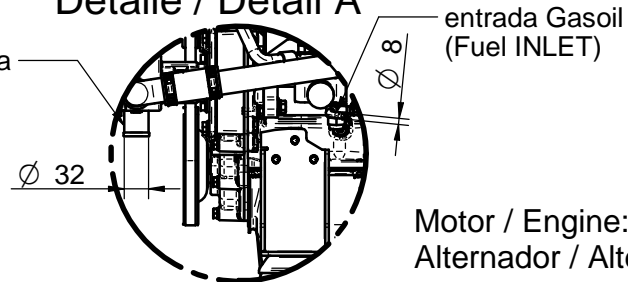
Medidas Nominales (mm)		G20T15 CON ESCAPE SECO COMPLETO				
100	a	300	±0.2	±0.5	±1.2	
30	a	100	±0.15	±0.3	±0.8	
6	a	30	±0.1	±0.2	±0.5	
0	a	6	±0.05	±0.1	±0.2	
Grado de Precisión DIN-7168	Fino	Medio	Bastio			
		MATERIAL	ACABADO	TRATAMIENTO	PRESENTACIÓN	ESCALA
		DIBUJADO	VERIFICADO	GRADO PRECISIÓN	FECHA CREACIÓN	ÚLTIMA REVISIÓN
		J. RODRÍGUEZ	S. UBACH	MEDIO	11-01-2012	---
				<b>SOLÉ, S.A.</b>		17113118_60571320.1



17113118. Kit escape seco  
(Dry exhaust Kit)



Detalle / Detail A



Motor / Engine: MHI Mini63  
Alternador / Alternator: Sincro SK 160 LA

Medidas Nominales (mm)		100	GRUPO 25 GT 12/24V - ESCAPE SECO						
		a	100	GENSET 25 GT 12/24V - DRY EXHAUST					
		a	30	MATERIAL	ACABADO	TRATAMIENTO	PRESENTACION	ESCALA	
		0	6	DIBUJADO		VERIFICADO	GRADO PRECISION	FECHA CREACION	ULTIMA REVISION
		Fino	±0.05	J. RODRIGUEZ	S. UBACH	MEDIO	03/04/2014	---	
		Medio	±0.1						
		Basto	±0.2						
			±0.15						
			±0.2						
			±0.3						
			±0.5						
			±0.8						
			±1.2						
			±0.2						
			±0.5						
			±1.2						
			±0.2						
			±0.5						
			±0.8						
			±1.2						
			±0.2						
			±0.5						
			±0.8						
			±1.2						
			±0.2						
			±0.5						
			±0.8						
			±1.2						
			±0.2						
			±0.5						
			±0.8						
			±1.2						
			±0.2						
			±0.5						
			±0.8						
			±1.2						
			±0.2						
			±0.5						
			±0.8						
			±1.2						
			±0.2						
			±0.5						
			±0.8						
			±1.2						
			±0.2						
			±0.5						
			±0.8						
			±1.2						
			±0.2						
			±0.5						
			±0.8						
			±1.2						
			±0.2						
			±0.5						
			±0.8						
			±1.2						
			±0.2						
			±0.5						
			±0.8						
			±1.2						
			±0.2						
			±0.5						
			±0.8						
			±1.2						
			±0.2						
			±0.5						
			±0.8						
			±1.2						
			±0.2						
			±0.5						
			±0.8						
			±1.2						
			±0.2						
			±0.5						
			±0.8						
			±1.2						
			±0.2						
			±0.5						
			±0.8						
			±1.2						
			±0.2						
			±0.5						
			±0.8						
			±1.2						
			±0.2						
			±0.5						
			±0.8						
			±1.2						
			±0.2						
			±0.5						
			±0.8						
			±1.2						
			±0.2						
			±0.5						
			±0.8						
			±1.2						
			±0.2						
			±0.5						
			±0.8						
			±1.2						
			±0.2						
			±0.5						
			±0.8						
			±1.2						
			±0.2						
			±0.5						
			±0.8						
			±1.2						
			±0.2						
			±0.5						
			±0.8						
			±1.2						
			±0.2						
			±0.5						
			±0.8						
			±1.2						
			±0.2						
			±0.5						
			±0.8						
			±1.2						
			±0.2						
			±0.5						
			±0.8						
			±1.2						
			±0.2						
			±0.5						
			±0.8						
			±1.2						
			±0.2						
			±0.5						
			±0.8						
			±1.2						
			±0.2						
			±0.5						
			±0.8						
			±1.2						
			±0.2						
			±0.5						
			±0.8						
			±1.2						
			±0.2						
			±0.5						
			±0.8						
			±1.2						
			±0.2						
			±0.5						
			±0.8						
			±1.2						
			±0.2						
			±0.5						
			±0.8						
			±1.2						
			±0.2						
			±0.5						
			±0.8						
			±1.2						
			±0.2						
			±0.5						
			±0.8						
			±1.2						
			±0.2						
			±0.5						
			±0.8						
			±1.2						
			±0.2						
			±0.5						
			±0.8						
			±1.2						
			±0.2						
			±0.5						
			±0.8						
			±1.2						
			±0.2						
			±0.5						
			±0.8						
			±1.2						
			±0.2						
			±0.5						
			±0.8						
			±1.2						
			±0.2						
			±0.5						
			±0.8						
			±1.2						
			±0.2						
			±0.5						
			±0.8						
			±1.2						
			±0.2						
			±0.5						
			±0.8						
			±1.2						
			±0.2						
			±0.5						
			±0.8						
			±1.2						
			±0.2						
			±0.5						
			±0.8						
			±1.2						
			±0.2						
			±0.5						
			±0.8						
			±1.2						
			±0.2						
			±0.5						
			±0.8						
			±1.2						
			±0.2						
			±0.5						
			±0.8						
			±1.2						
			±0.2						
			±0.5						
			±0.8						
			±1.2						
			±0.2						
			±0.5						
			±0.8						
			±1.2						
			±0.2						
			±0.5						
			±0.8						
			±1.2						
			±0.2						
			±0.5						
			±0.8						
			±1.2					</	