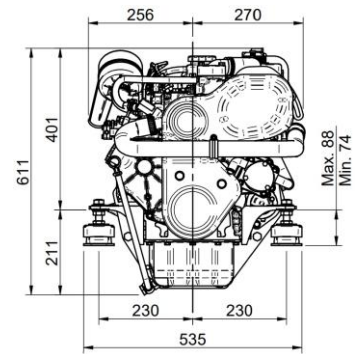
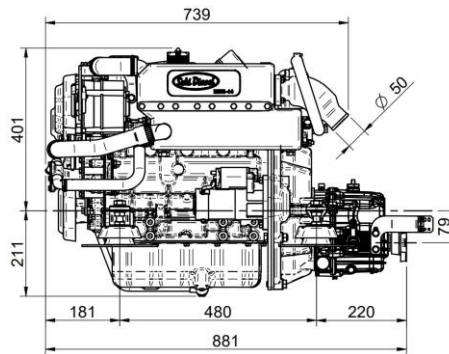


MARINE ENGINE

MINI-44

4 cylinders in line 42 HP (m) (30,9 kW) 3000 RPM



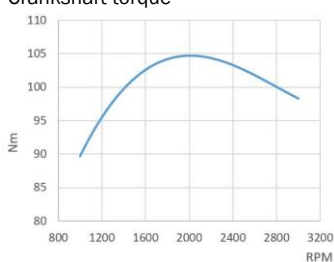
MINI-44 v6 Engine TMC-60P 2.00:1 Gbox.

Technical Specifications

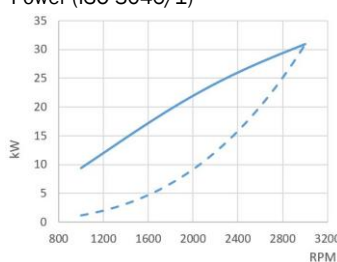
Base engine manufacturer	Mitsubishi
Type	Diesel, 4 stroke
Number of cylinders	4, in line
Intake system	Naturally aspirated
Bore x Stroke	78 mm x 92 mm (3,07 in x 3,62 in)
Total displacement	1758 cc
Compression ratio	22:1
Intermittent power (ISO3046/1)	42 HP (m) (30,9 kW)
Continuous power	37,8 HP (m) (27,8 kW)
RPM	3000
Injection system	Mechanical and indirect
Starter motor	12 V (1,7 kW)
Alternator	120 A (12 V)
Maximum operating angle	15°
Rotation (viewed from flywheel side)	Counterclockwise
Cooling system	Sea water heat exchanger and coolant closed circuit
Dry weight without gearbox	175 Kg (385,8 lb)
Sea water hose diameter	20 mm (0,79 in)
Fuel feeding hose diameter	8 mm (0,31 in)
Fuel return hose diameter	5 mm (0,2 in)
Exhaust hose diameter	50 mm (1,97 in)
Certifications	-
Emission compliance	EU: RCD II (DIR. 2013/53/EU), BSO II

Performance Curves

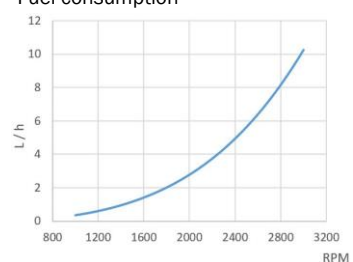
Crankshaft torque



Power (ISO 3046/1)



Fuel consumption



1 kW \cong 1,36 CV 1 kW \cong 1,36 HP (metric) 1 kW \cong 1,36 CH

Engine Power

Propeller Power

Panel



Panel SVT 20 Standard

- _____ Tachometer including hour meter
- _____ Coolant temperature gauge
- _____ Pre heating pilot light
- _____ Low battery alarm
- _____ High temperature alarm
- _____ Low oil pressure alarm
- _____ 5 Positions key
- _____ Dimentions: 205 x 155 mm



Panel SVT 30 Optional

- _____ Tachometer including hour meter
- _____ Coolant temperature gauge
- _____ Pre heating pilot light
- _____ Low battery alarm
- _____ High temperature alarm
- _____ Low oil pressure alarm
- _____ 5 Positions key
- _____ Oil pressure gauge
- _____ Battery voltage indicator
- _____ Dimentions: 205 x 155 mm

Accessory

Scope of Supply

- _____ Instrument panel SVT 20
- _____ 3 m electrical extension lead
- _____ Silentblocks
- _____ Oil extraction pump
- _____ Owner's manual and spare parts manual

Optional Equipment

- _____ SVT 30 panel
- _____ Twin instrument panel installation
- _____ Twin alternator
- _____ Earth isolated electrical system
- _____ Dry exhaust system
- _____ Keel cooling
- _____ Power takeoff shaft or pulley
- _____ Heater inlet
- _____ Drivetrain: propeller, shaft, sterntube
- _____ Water and fuel filters
- _____ Water, exhaust and diesel fuel hoses

Gearbox

Model	Type	Down angle	Reduction Ratio (Light Duty)	Reduction Ratio (Cont. Duty)	Engine Weight with Gearbox
SP 60	Mechanical	0°	2.15:1	-	221 Kg (487 Lbs)
TM-345	Hydraulic	0°	2.00:1-2.47:1	2.00:1-2.47:1	203 Kg (447 Lbs)
TM-345A	Hydraulic	8°	2.00:1-2.47:1	2.00:1-2.47:1	203 Kg (447 Lbs)
TM-93	Hydraulic	0°	1.51:1-2.09:1-2.40:1-2.77:1	1.51:1-2.09:1-2.40:1-2.77:1	231 Kg (509 Lbs)
TMC-260	Mechanical	0°	2.00:1-2.47:1-2.88:1	2.00:1-2.47:1-2.88:1	196 Kg (432 Lbs)
TMC-60A	Mechanical	7°	2.00:1-2.45:1	-	192 Kg (423 Lbs)
TMC-60P	Mechanical	0°	1.55:1-2.00:1-2.45:1-2.83:1	1.55:1-2.00:1	192 Kg (423 Lbs)
TTMC35A2	Mechanical	7°	2.33:1	-	191 Kg (421 Lbs)
ZF 12 M	Mechanical	0°	2.14:1	2.14:1	191 Kg (421 Lbs)
ZF 15 MIV	Mechanical	15°	2.13:1	2.13:1	198 Kg (436 Lbs)

Authorized Dealer

www.solediesel.com
info@solediesel.com

Detailed drawings, brochures and manuals are available on the web solediesel.com. All rights reserved. Technical specifications, data and presentation are subjected to variations, changes and updates without prior notice. Non-contractual information.

