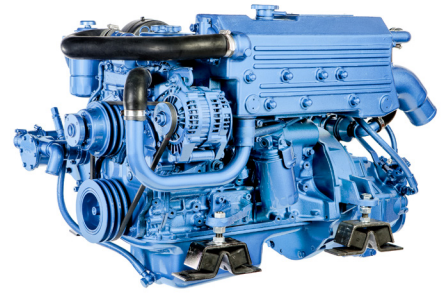




SN-110

Inboard Engine Base Nissan

4 cylinders in line 101 HP (74,3 kW) 3600 rpm

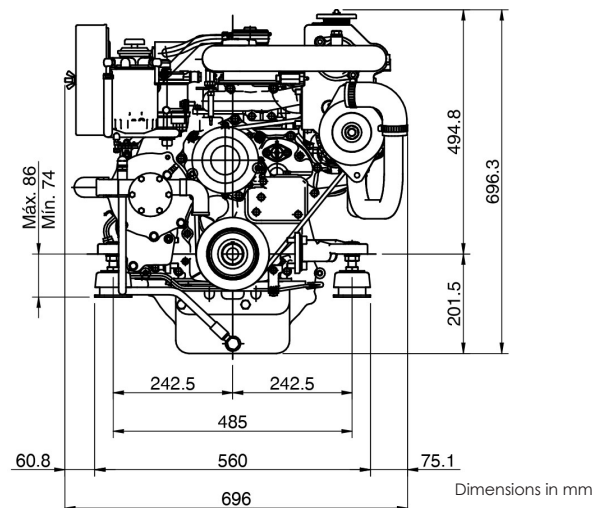
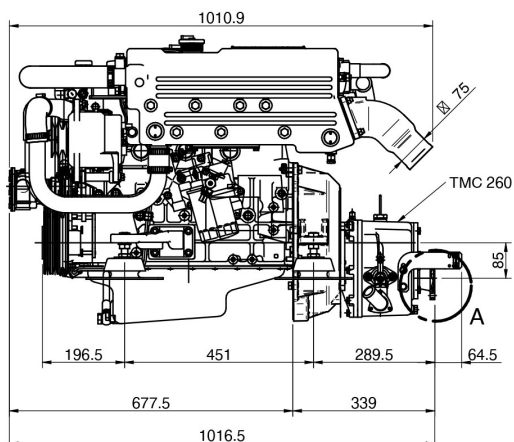


Technical Specifications

Base	Nissan
Type	Diesel 4 Stroke Cycle
Number of Cylinders	4 in line
Intake System	Atmospheric
Bore x Stroke	99,2 mm x 102 mm (3,91 in x 4,02 in)
Total Displacement	3153 cc
Compression Ratio	22:1
Intermittent Power (ISO3046/1)	101 HP (74,3 kW)
Continuous Power	91 HP (66,9 kW)
Rated RPM	3600
Combustion System	Indirect mechanical injection
Starter Motor	12 V (2,5 kW)
Alternator	95 A 12 V
Engine Max Installation Angle	Max static angle 12° (+ 3° in operation)
Direction of Rotation (Crankshaft)	Anti Clockwise
Cooling System	Sea water cooled heat exchanger
Dry Weight (bobtail)	286 Kg (631 Lbs)
Water Hose (Inside Diameter)	32 mm (1,26 in)
Fuel Feed Hose (Inside Diameter)	8 mm (0,31 in)
Fuel Return Hose (Inside Diameter)	5 mm (0,2 in)
Exhaust hose (inside Diameter)	75 mm (2,95 in)
Certifications	EU: RCD I (Directive 94/25/EC)

Dimensions

SN-110 TM-265A

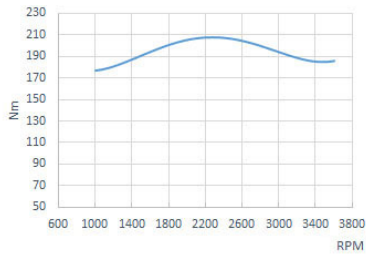


Dimensions in mm

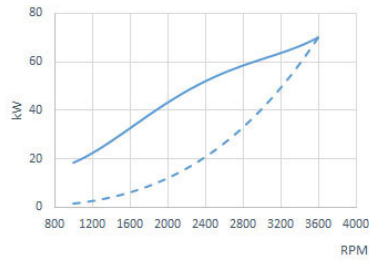


Performance Curves

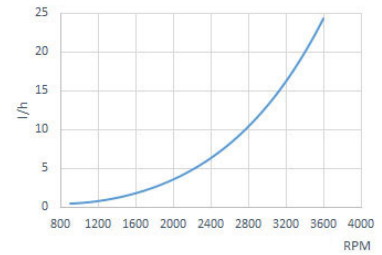
Crankshaft torque



Power (ISO 3046/1)



Fuel Consumption



Engine Power

Propeller Power

Panels

SVT 30 Standard



Tachometer including hour meter

Coolant Temperature Gauge

Pre-heating Pilot Light

Low Battery Alarm

High Temperature Alarm

Low Oil Pressure Alarm

5 Positions Key

Oil Pressure Gauge

Voltmeter

Dimensions: 255 x 160 mm



SVT 40 Doble Panel

Tachometer including hour meter

Pre-heating Pilot Light

Low Battery Alarm

High Temperature Alarm

Low Oil Pressure Alarm

5 Positions Key

Dimensions: 205 x 155 mm

Accessories

Scope of Supply

Packaging

Instrument Panel SVT 30

Extention Harness 4 m

Silentblocks

Sump Drain pump

Owner's Manual

Optional Equipment & Kits

We have a wide range of available accessories and kits.

Our technical department will calculate the propeller to optimize your engine

For additional information access our website

Gearbox

Model	Type	Down Angle	Reduction Ratio (Light Duty)	Reduction Ratio (Cont. Duty)	Engine Weight with Gearbox
TM-345	Hydraulic	0°	2.00:1 - 2.47:1	-	333 Kg (734 Lbs)
TM-345A	Hydraulic	8°	2.47:1 - 2.00:1 - 1.54:1	-	333 Kg (734 Lbs)
TM-880A	Hydraulic	10°	2.08:1 - 2.60:1	2.08:1 - 2.60:1	351 Kg (774 Lbs)
TM-93	Hydraulic	0°	2.09:1 - 1.51:1 - 2.77:1 - 2.40:1	2.09:1 - 1.51:1 - 2.77:1 - 2.40:1	350 Kg (771 Lbs)
TM-93A	Hydraulic	8°	2.40:1 - 2.09:1	2.09:1	350 Kg (771 Lbs)
TMC-260	Mechanical	0°	2.47:1 - 2.00:1	-	306 Kg (674 Lbs)

Authorized Dealer



solediesel.com - info@solediesel.com

Detailed drawings, brochures and manuals are available on the web. © 2017, Solé Diesel. All rights reserved. Technical specifications, data and presentation are subjected to variations, changes and updates without prior notice, and without any obligation or liability whatsoever. Text and illustrations are not binding.

