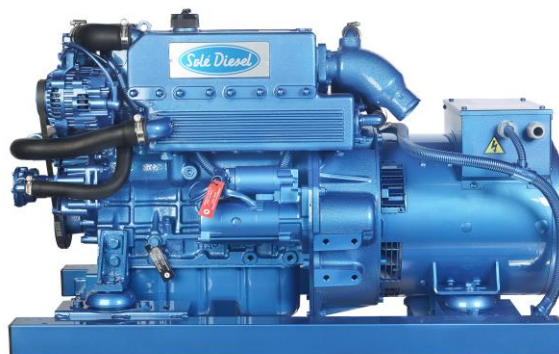


MARINE GENERATORS
17 GT/GTC

Three-Phase



General data

Maximum power*:	13,1 kW (16,4 kVA)	Voltage:	400/230 V
Prime Power**:	11,9 kW	Amperage:	23,7 A
Frequency:	50 Hz	Phases:	3

Dimensions and weights

Total length without canopy:	1036 mm	Total length with canopy:	1181 mm
Total width without canopy:	580 mm	Total width with canopy:	580 mm
Total height without canopy:	612 mm	Total height with canopy:	668 mm
Dry weight without canopy:	282 Kg	Dry weight with canopy:	344 Kg

Engine

Base engine manufacturer:	Mitsubishi	Diameter:	78 mm (3,07 in)
Model Solé Diesel:	MINI-44	Stroke:	92 mm (3,62 in)
Type:	4 stroke	Compression ratio:	22:1
Engine RPM:	1500	Injection system:	Mechanical and indirect
Number of cylinders:	4	Intake system:	Naturally aspirated
Total displacement:	1758 cc	Flywheel housing:	SAE 5
Oil type:	SAE 15W40	Coolant capacity:	8 L (2,11 gal)
Oil capacity:	6 L (1,59 gal)	Flywheel:	SAE 7 1/2
Power:	15 kW (20,4 CV)	Coolant flow rate:	55 l/min (14,53 gal/m)
Salt water flow rate:	16,5 l/min (4,36 gal/m)	Intake air flow rate:	1,2 m3/m

Rating conditions according to ISO 3046 (100 kPa barometric pressure, 30 % relative humidity and 25 °C (77 ° F))

* Maximum output power: maximum power supplied by the genset at full load

** Prime Power: rated power according to ISO 3046 and ISO 8528-1. 10 % overload capacity one hour in twelve hours.

1 kW \cong 1,36 CV 1 kW \cong 1,36 HP (metric) 1 kW \cong 1,36 CH

Fuel system details

Consumption 25%:	1,8 L/H (0,48 Gal/H)	Fuel type:	Diesel
Consumption 50%:	2,7 L/H (0,71 Gal/H)	Fuel standards:	Fueloil diesel ASTM
Consumption 75%:	3,5 L/H (0,92 Gal/H)	Injection pump type:	in line
Consumption 100%:	4,3 L/H (1,14 Gal/H)	Governor type:	Mechanical

Electrical system

Battery voltage:	12 V	Stop solenoid type:	ETR
Starter motor:	2 kW	Alternator:	50 A

Installation details

Exhaust hose inner diameter:	50 mm (1,97 in)	Maximum fuel lift height:	0,3 m (0,98 ft)
Sea water hose inner diameter:	20 mm (0,79 in)	Maximum raw water lift height:	1,5 m (59,06 in)
Fuel feeding hose inner diameter:	8 mm (0,31 in)	Maximum sea water temperature:	32 °C (89,6 °F)
Fuel return hose inner diameter:	6 mm (0,24 in)	Maximum installation angle***:	25 °
Minimum battery capacity:	12 V 80 A/h		

Alternator details

Brand:	SINCRO	Cos φ:	0,8
Model:	SK160MA	Tropicalized:	Yes
Regulator type:	BL4	Excitation system:	BRUSHLESS
Number of poles:	4	Voltage regulation accuracy**:	1%
Isolation type*:	H	Standards:	EN 60034-1, IEC 60034-1, ISO 8528-3
IP protection*:	23	Alternator type:	Synchronous

Optional accessories

Siphon break kit mandatory if generator is below waterline	Keel Cooling conversion for dry and wet exhaust
Engine electrical system at 24 V	Double walled pipes and alarm kit
Service/Cruise Kits: fuel and oil filters, raw water pump, impeller, alternator belt,...	Low coolant level shut down switch
Dry Exhaust system	Fuel filter/water separator
Exhaust System	Gas/Water Separator
Water Filters	Fuel Hose
Sea water cock	Exhaust Hose
Welcome Kit	Raw water hose



* Other protections available

** With load from 0 to 100%, speed variation from -2% up to +5%, power factor 0,8 linear and balanced load.

*** In all directions

For other requirements please contact the Sales Dept.

SCO 5 Panel



General Description

- Graphic LCD with light Display, 128 x 64 pixels
- 3 LED indicators
- Marine genset measures (see display information)
- Marine genset protections (see alarm management)
- Running hour indicator
- Type B USB for programming
- Programming from the same panel
- Universal Interface
- Preheating function
- D+ preexcitation terminal
- CAN bus output with SAEJ1939 protocol
- 2 multipurpose timers
- Dimensions 118x 108 x 43 mm
- Weight 246 g

Alarm Management

Shutdown (SD)

- High coolant temperature
- Low oil pressure
- Overspeed
- Overload*
- Short circuit*
- Overcurrent*
- Over/Under voltage
- Over/Under frequency
- Emergency stop

Warnings (WRN)

- Over/Under battery voltage
- Maintenance request

Sensor Fails (FLS)

Function Description

- OFF Mode
- MAN Mode (manual start/stop engine)
- AUT Mode (auto start/stop engine)



Power Supply

- Voltage supply 12/24 DC with fuse protection
- Consumption 60/35 mA

Operating Conditions

- Operating temperature -20+70 °C
- Humidity 95 % Without condensation
- Front Panel Protection IP65

Standard Conformity

- Low Voltage Directive EN 61010-1:95+A1:97
- Electromagnetic EN 50081-1:94, EN 50081-2:96
- Compatibility EN 50082-1:99, EN 50082-2:97

Display Information

Measurement

- L1-L3 Voltage (V), Frequency (Hz), Oil Pressure, (bar)
- Coolant Temperature (°C), Battery, Voltage (V), RPM
- Active Power* (kW), Apparent, Power* (kVA), Current* (A), PF*

History log

Optional Equipment

IP 65 Box Kit

- Panel built into an electrical box with IP65 protection
- Kit with emergency shutoff, switch and alarm.

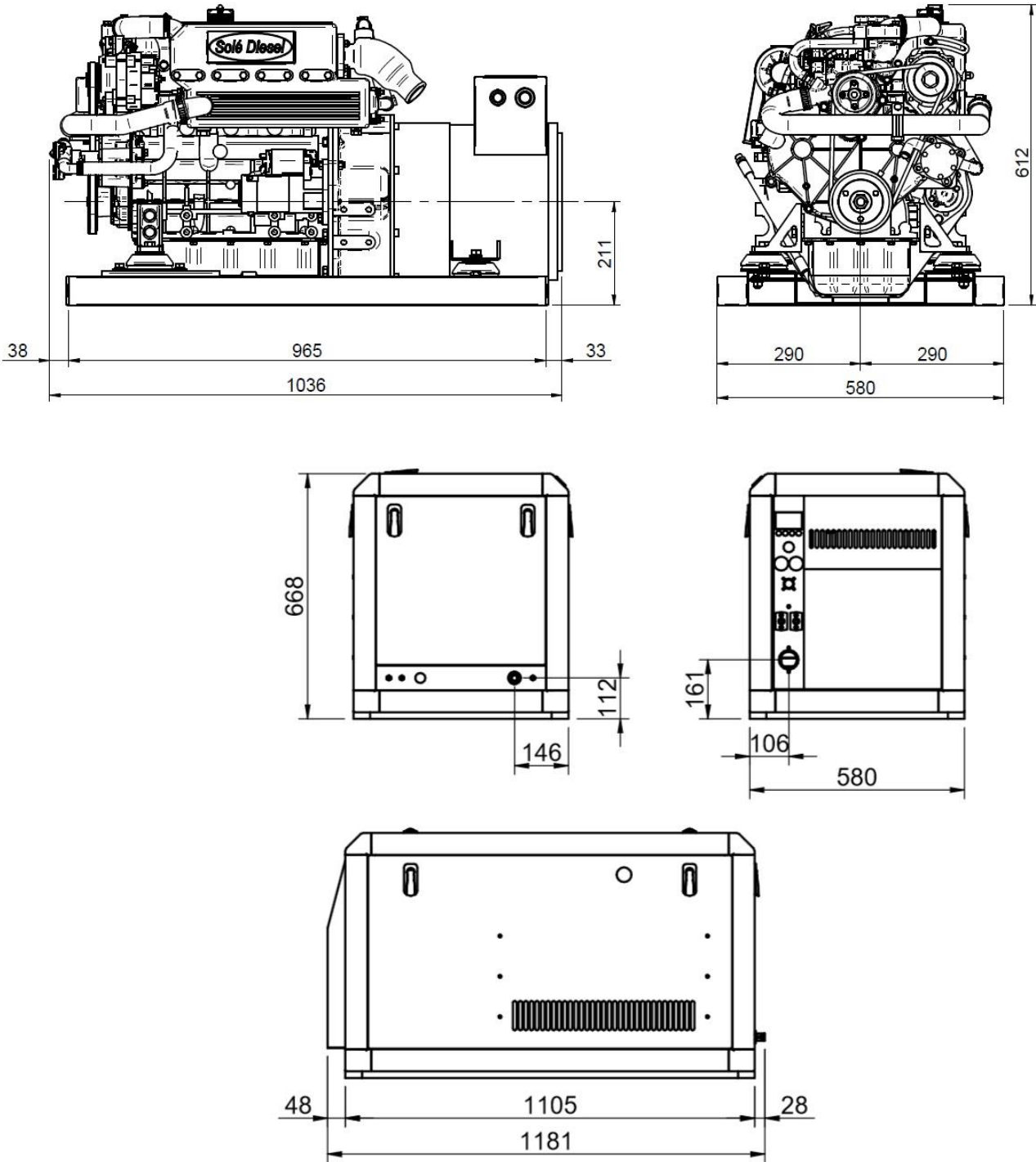
Current transformers

It allows the following measures:

- Current (A), Active Power (kW), Apparent power (kVA) and PF
- Isolated transformers to the mass
- Voltage transformation unit to separate principal voltage
- Controller with (1:1) voltage rating

* The specified function needs the current transformers (Optional Equipment) for showing the information in panel display.

Dimensions



Authorized dealer

www.solediesel.com
info@solediesel.com

Detailed drawings, brochures and manuals are available on the web solediesel.com. All rights reserved. Technical specifications, data and presentation are subjected to variations, changes and updates without prior notice. Non-contractual information.