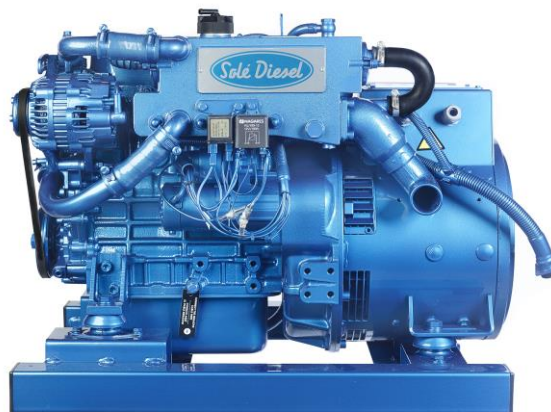


# 10 GTA/GTAC

**Three-Phase**

## General data

<b>Maximum power*:</b>	7,5 kW (9,4 kVA)	<b>Voltage:</b>	480/277 V
<b>Prime Power**:</b>	6,8 kW	<b>Amperage:</b>	11,3 A
<b>Frequency:</b>	60 Hz	<b>Phases:</b>	3

## Dimensions and weights

<b>Total length without canopy:</b>	757 mm	<b>Total length with canopy:</b>	892 mm
<b>Total width without canopy:</b>	560 mm	<b>Total width with canopy:</b>	560 mm
<b>Total height without canopy:</b>	561 mm	<b>Total height with canopy:</b>	608 mm
<b>Dry weight without canopy:</b>	201 Kg	<b>Dry weight with canopy:</b>	224 Kg

## Engine

<b>Base engine manufacturer:</b>	Mitsubishi	<b>Diameter:</b>	76 mm (2,99 in)
<b>Model Solé Diesel:</b>	MINI-26	<b>Stroke:</b>	70 mm (2,76 in)
<b>Type:</b>	4 stroke	<b>Compression ratio:</b>	23:1
<b>Engine RPM:</b>	1800	<b>Injection system:</b>	Mechanical and indirect
<b>Number of cylinders:</b>	3	<b>Intake system:</b>	Naturally aspirated
<b>Total displacement:</b>	952 cc	<b>Flywheel housing:</b>	SAE 5
<b>Oil type:</b>	SAE 15W40	<b>Coolant capacity:</b>	3 L (0,79 gal)
<b>Oil capacity:</b>	4 L (1,06 gal)	<b>Flywheel:</b>	SAE 6 1/2
<b>Power:</b>	10 kW (13,6 CV)	<b>Coolant flow rate:</b>	27 l/min (7,13 gal/m)
<b>Salt water flow rate:</b>	17,2 l/min (4,54 gal/m)	<b>Intake air flow rate:</b>	0,75 m <sup>3</sup> /m

Rating conditions according to ISO 3046 (100 kPa barometric pressure, 30 % relative humidity and 25 °C (77 ° F))

\* Maximum output power: maximum power supplied by the genset at full load

\*\* Prime Power: rated power according to ISO 3046 and ISO 8528-1. 10 % overload capacity one hour in twelve hours.

1 kW  $\cong$  1,36 CV 1 kW  $\cong$  1,36 HP (metric) 1 kW  $\cong$  1,36 CH

## Fuel system details

<b>Consumption 25%:</b>	1,1 L/H (0,29 Gal/H)	<b>Fuel type:</b>	Diesel
<b>Consumption 50%:</b>	1,8 L/H (0,48 Gal/H)	<b>Fuel standards:</b>	Fueloil diesel ASTM
<b>Consumption 75%:</b>	2,4 L/H (0,63 Gal/H)	<b>Injection pump type:</b>	in line
<b>Consumption 100%:</b>	3 L/H (0,79 Gal/H)	<b>Governor type:</b>	Mechanical

## Electrical system

<b>Battery voltage:</b>	12 V	<b>Stop solenoid type:</b>	ETR
<b>Starter motor:</b>	1,2 kW	<b>Alternator:</b>	40 A

## Installation details

<b>Exhaust hose inner diameter:</b>	50 mm (1,97 in)	<b>Maximum fuel lift height:</b>	0,3 m (0,98 ft)
<b>Sea water hose inner diameter:</b>	20 mm (0,79 in)	<b>Maximum raw water lift height:</b>	1,5 m (59,06 in)
<b>Fuel feeding hose inner diameter:</b>	8 mm (0,31 in)	<b>Maximum sea water temperature:</b>	32 °C (89,6 °F)
<b>Fuel return hose inner diameter:</b>	6 mm (0,24 in)	<b>Maximum installation angle***:</b>	25 °
<b>Minimum battery capacity:</b>	12 V 60 A/h		

## Alternator details

<b>Brand:</b>	SINCRO	<b>Cos φ:</b>	0,8
<b>Model:</b>	SK160SA	<b>Tropicalized:</b>	Yes
<b>Regulator type:</b>	BL4	<b>Excitation system:</b>	BRUSHLESS
<b>Number of poles:</b>	4	<b>Voltage regulation accuracy**:</b>	1%
<b>Isolation type*:</b>	H	<b>Standards:</b>	EN 60034-1, IEC 60034-1, ISO 8528-3
<b>IP protection*:</b>	23	<b>Alternator type:</b>	Synchronous

## Optional accessories

Siphon break kit mandatory if generator is below waterline	Keel Cooling conversion for dry and wet exhaust
Engine electrical system at 24 V	Double walled pipes and alarm kit
Service/Cruise Kits: fuel and oil filters, raw water pump, impeller, alternator belt,...	Low coolant level shut down switch
Dry Exhaust system	Fuel filter/water separator
Exhaust System	Gas/Water Separator
Water Filters	Fuel Hose
Sea water cock	Exhaust Hose
Welcome Kit	Raw water hose



\* Other protections available

\*\* With load from 0 to 100%, speed variation from -2% up to +5%, power factor 0,8 linear and balanced load.

\*\*\* In all directions

For other requirements please contact the Sales Dept.

# SCO 5 Panel



## General Description

- Graphic LCD with light Display, 128 x 64 pixels
- 3 LED indicators
- Marine genset measures (see display information)
- Marine genset protections (see alarm management)
- Running hour indicator
- Type B USB for programming
- Programming from the same panel
- Universal Interface
- Preheating function
- D+ preexcitation terminal
- CAN bus output with SAEJ1939 protocol
- 2 multipurpose timers
- Dimensions 118x 108 x 43 mm
- Weight 246 g

## Alarm Management

### Shutdown (SD)

- High coolant temperature
- Low oil pressure
- Overspeed
- Overload\*
- Short circuit\*
- Overcurrent\*
- Over/Under voltage
- Over/Under frequency
- Emergency stop

### Warnings (WRN)

- Over/Under battery voltage
- Maintenance request

### Sensor Fails (FLS)

## Function Description

- OFF Mode
- MAN Mode (manual start/stop engine)
- AUT Mode (auto start/stop engine)



## Power Supply

- Voltage supply 12/24 DC with fuse protection
- Consumption 60/35 mA

## Operating Conditions

- Operating temperature -20+70 °C
- Humidity 95 % Without condensation
- Front Panel Protection IP65

## Standard Conformity

- Low Voltage Directive EN 61010-1:95+A1:97
- Electromagnetic EN 50081-1:94, EN 50081-2:96
- Compatibility EN 50082-1:99, EN 50082-2:97

## Display Information

### Measurement

- L1-L3 Voltage (V), Frequency (Hz), Oil Pressure, (bar)
- Coolant Temperature (°C), Battery, Voltage (V), RPM
- Active Power\* (kW), Apparent, Power\* (kVA), Current\* (A), PF\*

### History log

## Optional Equipment

### IP 65 Box Kit

- Panel built into an electrical box with IP65 protection
- Kit with emergency shutoff, switch and alarm.

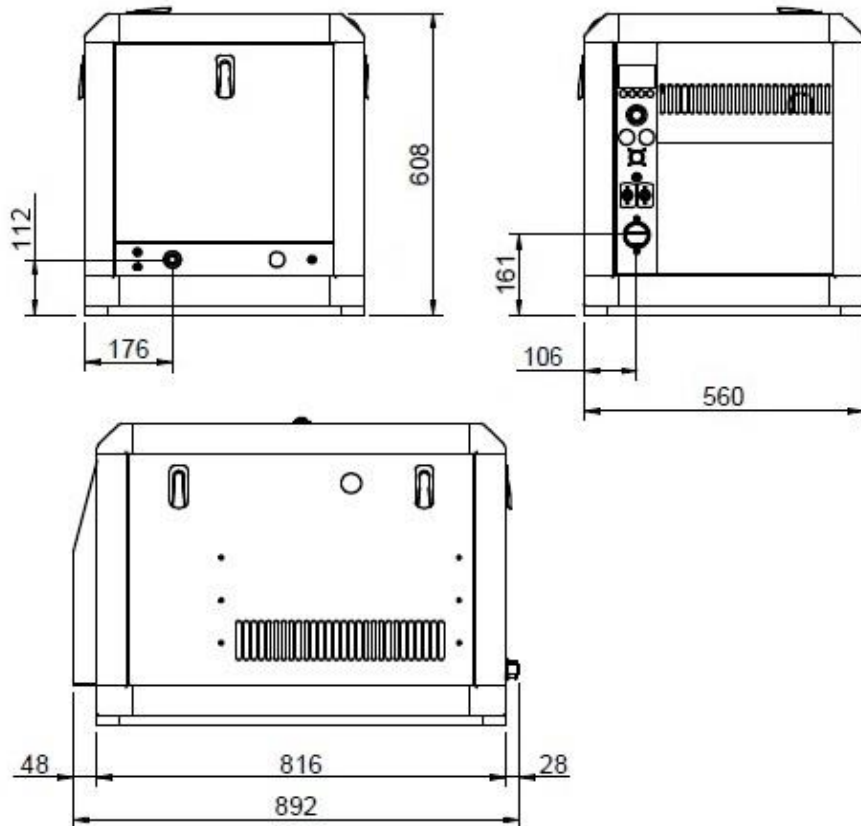
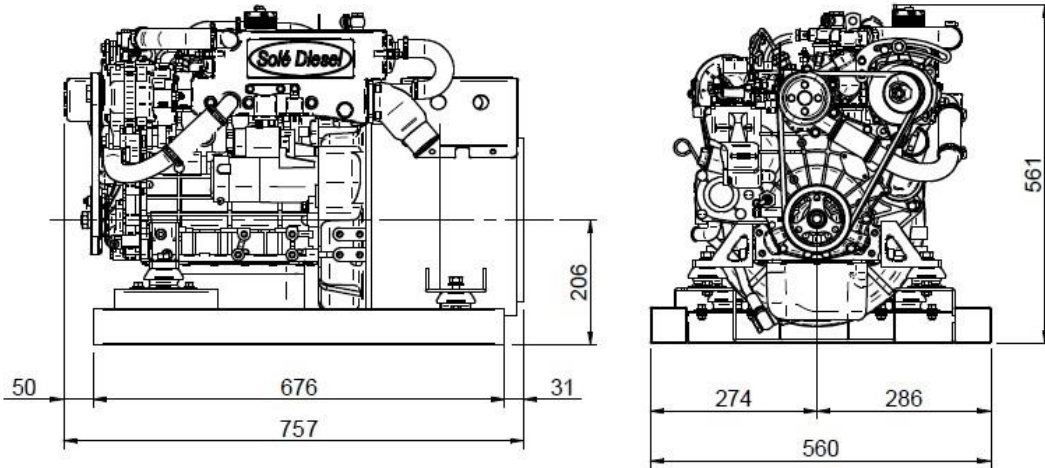
### Current transformers

#### It allows the following measures:

- Current (A), Active Power (kW), Apparent power (kVA) and PF
- Isolated transformers to the mass
- Voltage transformation unit to separate principal voltage
- Controller with (1:1) voltage rating

\* The specified function needs the current transformers (Optional Equipment) for showing the information in panel display.

## Dimensions



Authorized dealer

[www.solediesel.com](http://www.solediesel.com)  
[info@solediesel.com](mailto:info@solediesel.com)

Detailed drawings, brochures and manuals are available on the web [solediesel.com](http://www.solediesel.com). All rights reserved. Technical specifications, data and presentation are subjected to variations, changes and updates without prior notice. Non-contractual information.