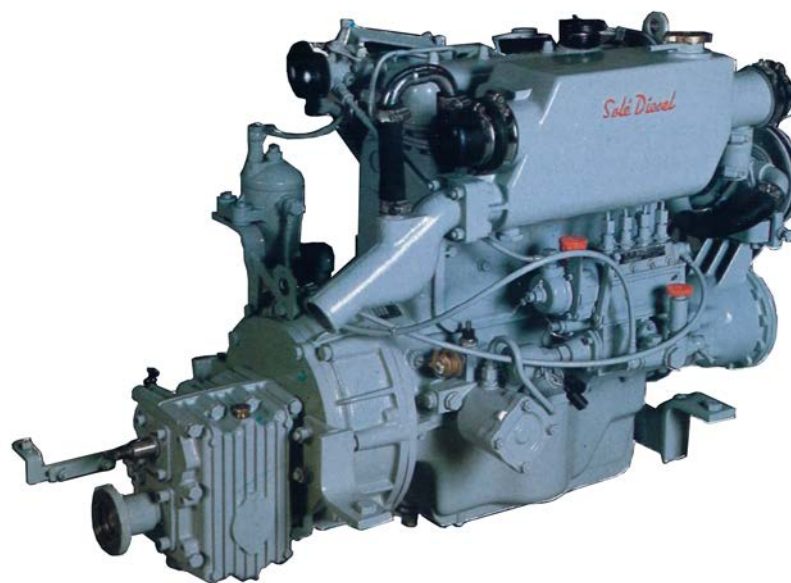




Engine MB-636
VERSION 2016-1
SPARE PARTS MANUAL



PARTS LIST CATALOGUE

NORMS TO PLACE AN ORDER:

For fast and more efficient service, please specify the following information on spare parts orders that must be preferably done by FAX or e-mail as specified below:

- 1- Engine model: As shown in identification plate
- 2- Engine serial number: As shown in identification plate and stamped on crankcase
- 3- Item description + part number + quantity required

Spare parts requests must be addressed to:

recambios@solediesel.com

Telf.: +34 93 775 44 05

Fax: +34 93 775 30 13

The components shown in the catalog have:

- Figure: Number by which they are represented in scheme
 - Description: Trade name of the component
 - Quantity: Total number of parts used in the assembly of the part represented (may differ from the total minimum quantities)
- Hoses, indicates the total length in meters

The diagrams shown in this catalog of spare parts, have only the purpose to identify the piece in question, its representation is not meaningful and may differ from the actual piece.

In case of doubt, contact Solé Diesel, or your authorized dealer.

The parts i / or references in this catalog are subject to change without notice.

[SOLÉ, S.A.](#)

C-243b, Km, 2 - P.O. BOX 15
08760 Martorell (Barcelona) Spain

Download the latest version of this manual [HERE](#)

Contents



Engine Body

Oil Pan
Engine Brackets

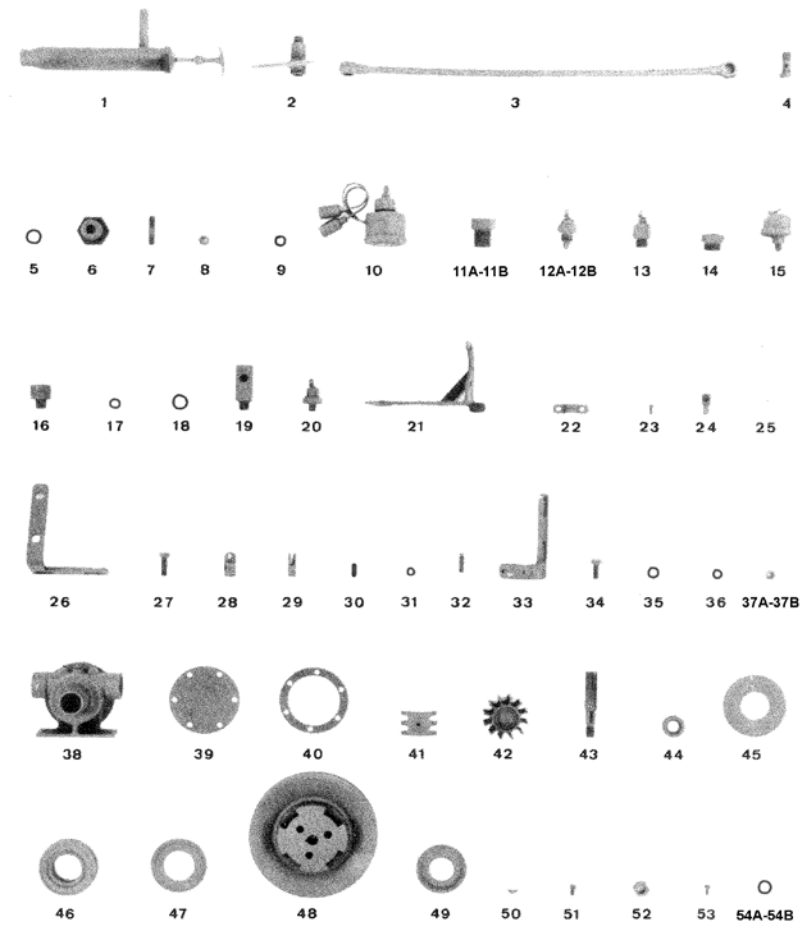
Cooling System

Water Pump
Cooler Pipes

Fuel System

Fuel Filter

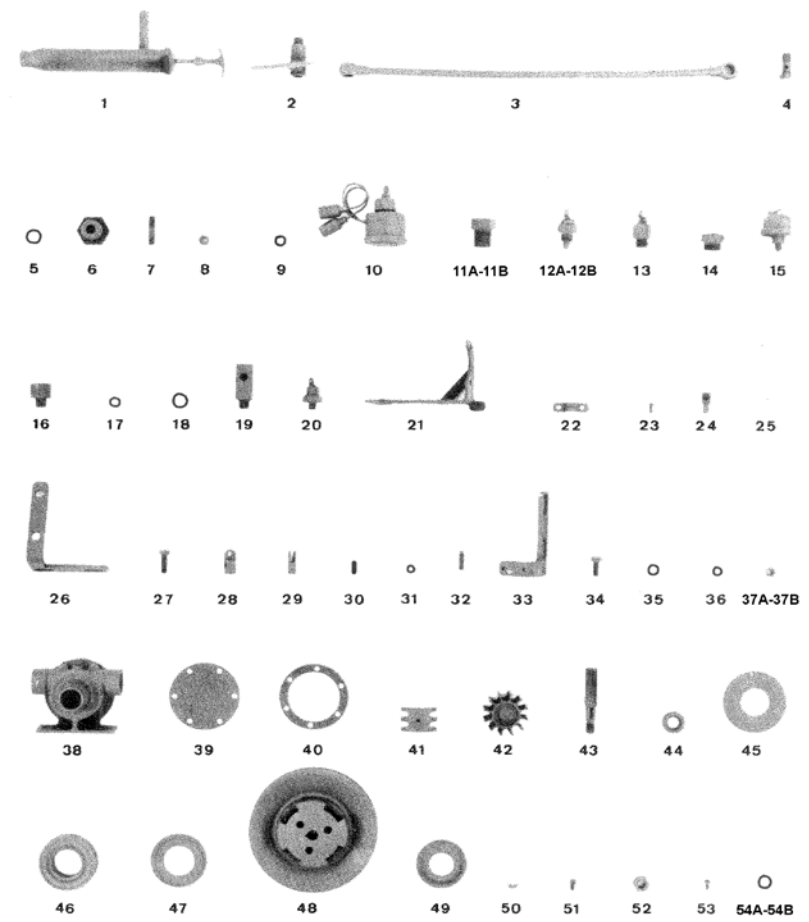
D_MB36_1_11			Oil Pan
FIG.	REF.	QTY	DESCR.
1	14714001	1	Pump,oil Suction
2	15114002	1	Pump MOUNT [NP]
3	15114003	1	OutLER Hose [NP]
5	56000068	4	Washer 13,5-20-1,5
6	15114006	1	Oil DRAIN Coupling [NP]
7	12110018	2	Stud
8	52120008	2	Nut DIN 934 M8 8.8
9	53033008	2	Washer GROWER DIN 127-8
10	60947512	1	SENDER TACHOMETER JAEGER
11A	*	1	Descripcion
11B	11114801	1	Cap [NP]
12B	60900080	1	Temperature SENDER 12-24 V.
13	60900070	1	Thermo-Switch 97°C
14	15117063	1	Thermostat CONTACT CONNE.COUP.
15	60900587	1	SENDER, oil press. 24 V TRAMA
16	15117070	1	MANOSTAT CONTAC CONNECTI.COUPL [NP]
17	57000362	1	Washer 10,3-14,8-1,5
18	56000020	2	Washer 14,3-22-1
19	15117069	1	Oil Pressure Connection COUPL.
20	60900076	1	Switch, oil press
21	15119011	1	Morse Engine Control MOUNT [NP]
22	14719013	2	Clamp,cable
23	55307104	4	Bolt DIN 86 W3/16-10
24	15119015	1	CABLE Holder Ball
25	51051107	1	Pin DIN-94 1,6-16
26	25210920	1	Bracket,Gear box control
27	52102258	2	Bolt DIN 933 M8-25 8.8
28	14719025	1	Bracket,split piece
29	14719026	1	SPLIT,piece reverser morse
30	14719027	1	Pin
31	51030005	2	Washer DIN 125-5
32	14619040	1	Spring,stop
33	25210921	1	Bracket,control regulation
34	52102257	2	Bolt DIN 933 M8-20 8.8
35	51030008	4	Washer DIN 125-8



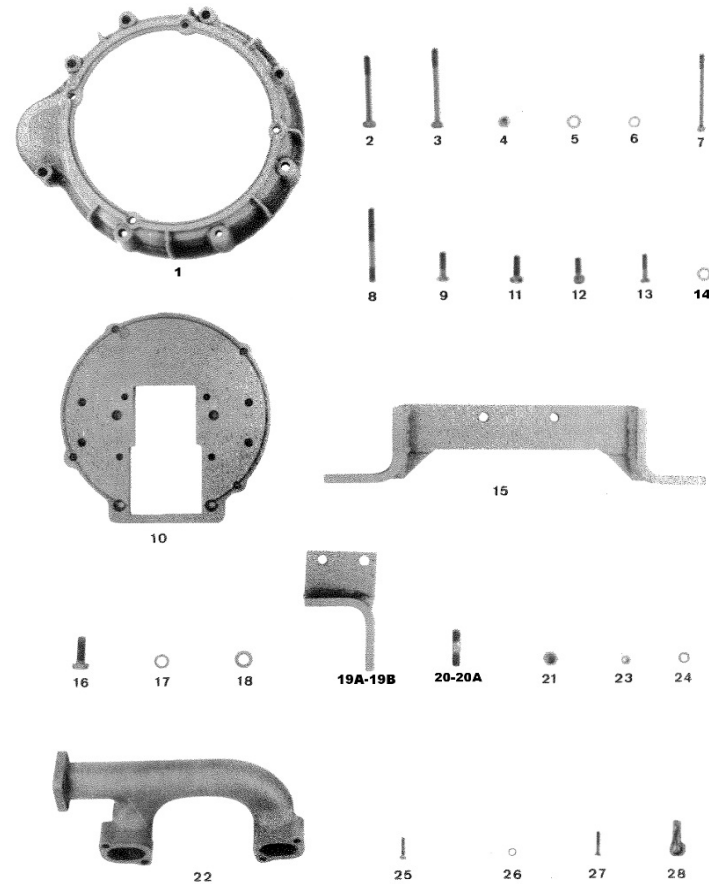
[NP] Not provided



D_MB36_1_11			Oil Pan
FIG.	REF.	QTY	DESCR.
36	53033008	4	Washer GROWER DIN 127-8
37A	52120008	2	Nut DIN 934 M8 8.8
37B	35111000	1	3/4" Water PUM 636 Set
38	35111001	1	Body,pump water
39	34711002	1	Cover Pump
40	34711003	1	Gasket Cover
41	35111005	1	Cam,impeller
42	35111008	1	3/4" Impeller
43	35111010	1	Shaft,pump
44	35111020	1	Seal 15,87-28,57-7,93
45	35111031	1	Washer,Protector Front Bearing
46	35111014	1	Ball Bearing 6207-2RS1
47	35111032	1	Washer,Protector Rear Bearing
48	35111013	1	Pulley
49	35111034	1	Washer,rear
50	35111035	1	KEY DIN 6888 3-6,5-16 INOX
51	54108154	6	Bolt DIN 84 M6-10
52	54120012	1	Nut DIN 934 M12
53	55307104	1	Bolt DIN 86 W3/16-10
54A	53033012	1	Washer GROWER DIN 127-12
54B	34711041	1	Plug, impeller

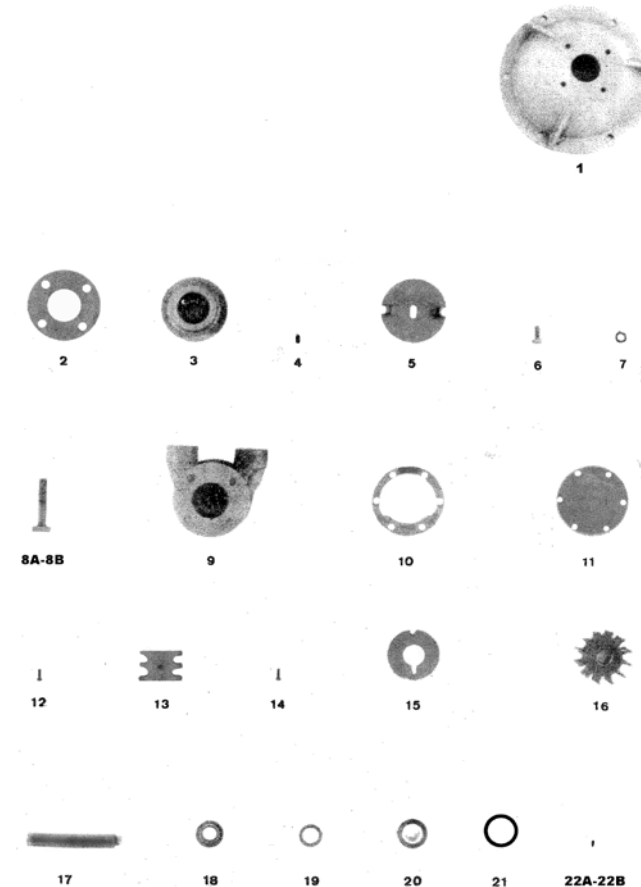


D_MB36_1_12		Engine Brackets	
FIG.	REF.	QTY	DESCR.
1	15110001	1	FLYWEEL Housing
2	52101321	2	Bolt DIN 931 M10-90 8.8
3	52101323	4	Bolt DIN 931 M10-100 8.8
5	51030010	11	Washer DIN 125-10
6	53033010	9	Washer GROWER DIN 127-10
7	52101273	1	Bolt DIN 931 M8-100 8.8
8	15110008	1	STARTER MOTOR MOUNTING Stud [NP]
9	52101310	3	Bolt DIN 931 M10-35 8.8
10	*	1	Descripcion
11	52102309	1	Bolt DIN 933 M10-30 8.8
12	52103308	1	Bolt DIN 912 M10-25 8.8
13	52101260	4	Bolt DIN 931 M8-35 8.8
14	53033008	8	Washer GROWER DIN 127-8
15	15110020	1	Front Engine MOUNT
16	52202360	2	Bolt DIN 933 M12-1,25-35 8.8
17	53033012	7	Washer GROWER DIN 127-12
18	51030012	2	Washer DIN 125-12
19A	15110025	2	REAR MOUNT [NP]
19B	15110002	2	REAR MOUNT [NP]
20	15110026	4	MOUNTING Stud
20A	15110027	6	MOUNTING Stud
21	52120012	5	Nut DIN 934 M12 8.8
22	15110030	1	Inlet MANIFOLD
23	52120008	4	Nut DIN 934 M8 8.8
24	51030008	2	Washer DIN 125-8
25	52102158	2	Bolt DIN 933 M6-25 8.8
26	51030006	8	Washer DIN 125-6
27	51102159	2	Bolt DIN 933 M6-30 5.6
28	12814044	1	COLLAR,union



[NP] Not provided

D_MB36_3_1			Water Pump
FIG.	REF.	QTY	DESCR.
1	15110075	1	Plate,water pump Coupling
2	15210076	1	Gasket
3	15110071	1	Coupling,drive [NP]
4	15210078	3	Pin,Coupling [NP]
5	15210072	1	SPIDER
6	52102156	4	Bolt DIN 933 M6-16 8.8
7	51030006	4	Washer DIN 125-6
8	52101313	1	Bolt DIN 931 M10-50 8.8
9	35211001	1	Body,pump water
10	31211002	1	Cover Pump
11	35211003	1	Gasket,cover
12	55307104	6	Bolt DIN 86 W3/16-10
13	35111005	1	Cam,impeller
14	55307104	1	Bolt DIN 86 W3/16-10
15	35211026	1	Plate,friction
16	35111008	1	3/4" Impeller
17	35211010	1	Shaft,pump water
18	35111020	2	Seal 15,87-28,57-7,93
19	35211013	1	Washer,centrifuge
20	35211014	1	Ball Bearing 3202-2RS
21	35211024	1	Ring,centering
22A	34711017	1	Pin
22B	34711041	1	Plug, impeller
NS	35211000	1	3/4" Water Pump, Set [NS]

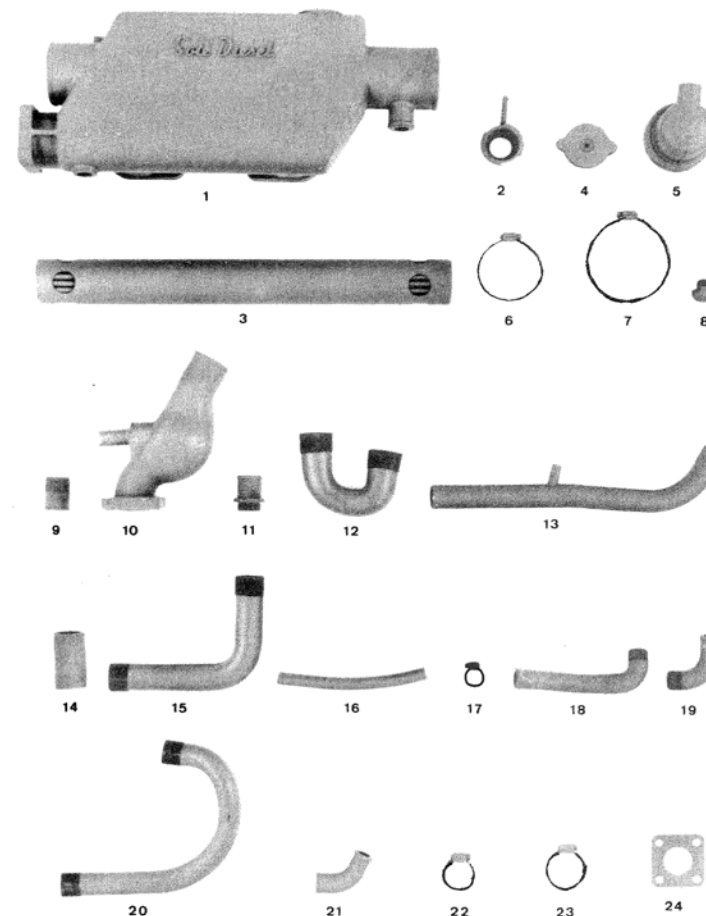


[NP] Not provided

[NS] Not shown



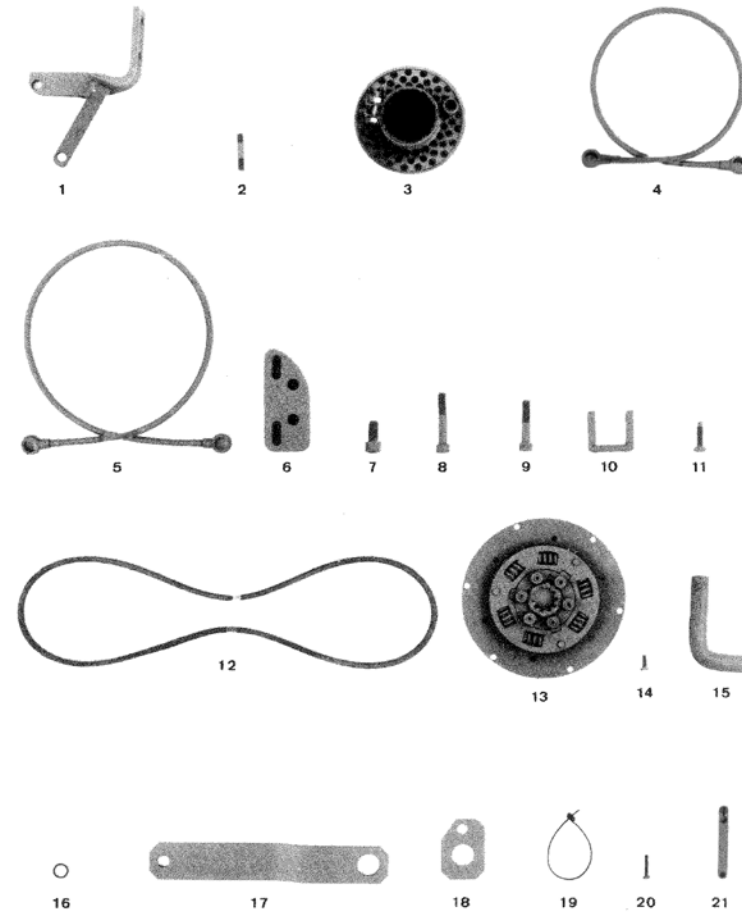
D_MB36_3_2			Cooler Pipes
FIG.	REF.	QTY	DESCR.
1	15111001	1	COOLING Case
2	15111002	1	Cap Mouth
3	15111004	1	Tube Case
4	14711003	1	Cap
5	15111007	2	Cover, water cooler
6	54082050	2	Clamp DIN 3017 50-70/12 W4
7	54082080	2	Clamp DIN 3017 80-100/12 W4
8	15111110	1	DRAING Plug M-20 [NP]
9	13311025	1	Pipe
10	15113015	1	WET BEND Assy
11	15111025	1	Water Inlet Coupling [NP]
12	15111026	1	Rubber BEND
13	15111027	1	Exchanger TO Engine Pipe
14	15111028	1	Pipe 30-40-80
15	14711027	2	Hose,rubber
16	15111040	1	Pipe 12-21-200
17	54081012	2	Clamp DIN 3017 12-22/9 W4
18	15111041	1	Water SUCTION Pipe
19	15111036	1	Pump Water Outlet BEND
20	15111037	1	Rubber Pump TO Cooler BEND
21	15111038	2	Cooler Water Inlet BEND
22	54081020	2	Clamp DIN 3017 20-32/9 W4
23	54082025	8	Clamp DIN 3017 25-40/12 W4
24	15113043	1	Exhaust Elbow Gasket



[NP] Not provided



D_MB36_4_5			Fuel Filter
FIG.	REF.	QTY	DESCR.
1	15110040	1	Diesel Oil Filter MOUNT
2	14713008	2	Stud,Coupling plate
3	14710040	1	Filter,air
4	15114046	1	Fuel Pump Filter Hose [NP]
5	*	1	Description
6	15110050	1	Water Pump MOUNT [NP]
7	52103358	2	Bolt DIN 912 M12-25 8.8
8	52103315	1	Bolt DIN 912 M10-60 8.8
9	52103313	1	Bolt DIN 912 M10-50 8.8
10	15110055	1	TENSION Yoke [NP]
11	15110056	1	TENSION Yoke Screw [NP]
12	15110058	1	Belt Type Z 43 1088
13	14710070	1	Flexible Coupling Type A D. 185
14	52102156	6	Bolt DIN 933 M6-16 8.8
15	12811022	1	Elbow,rubber
16	56000015	2	Washer 12-19-2
17	15110065	1	Front CARRYING Support
18	13111013	1	Support CANIAGE Front
19	58088284	2	Clamp
20	51102108	1	Bolt DIN 933 M5-25 5.6 [NP]
21	15117002	1	Lever,stop electrical



[NP] Not provided

