



Genset 4 GSCH
VERSION 2018-2
SPARE PARTS MANUAL



PARTS LIST CATALOGUE

NORMS TO PLACE AN ORDER:

For fast and more efficient service, please specify the following information on spare parts orders that must be preferably done by FAX or e-mail as specified below:

- 1- Engine model: As shown in identification plate
- 2- Engine serial number: As shown in identification plate and stamped on crankcase
- 3- Item description + part number + quantity required

Spare parts requests must be addressed to:

recambios@solediesel.com

Telf.: +34 93 775 44 05

Fax: +34 93 775 30 13

The components shown in the catalog have:

- Figure: Number by which they are represented in scheme
 - Description: Trade name of the component
 - Quantity: Total number of parts used in the assembly of the part represented (may differ from the total minimum quantities)
- Hoses, indicates the total length in meters
-

The diagrams shown in this catalog of spare parts, have only the purpose to identify the piece in question, its representation is not meaningful and may differ from the actual piece.

In case of doubt, contact Solé Diesel, or your authorized dealer.

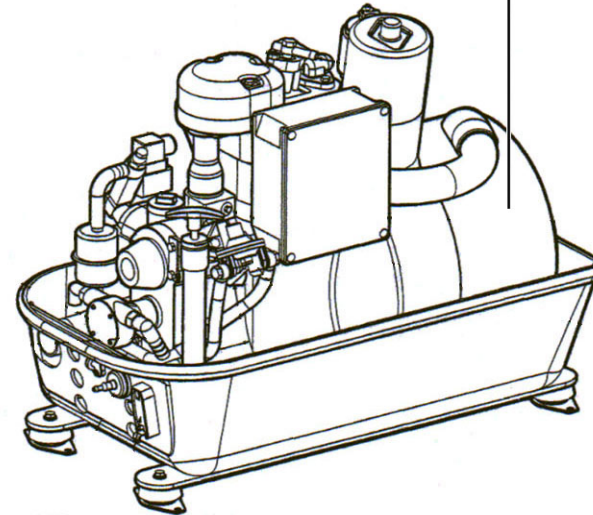
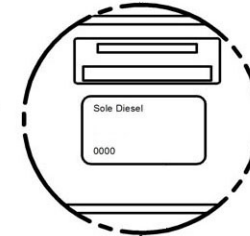
The parts i / or references in this catalog are subject to change without notice.

SOLE, S.A.

C-243b, Km, 2 - P.O. BOX 15
08760 Martorell (Barcelona) Spain

Download the latest version of this manual [HERE](#)

PLACA
PLATE



Contents



Alternator

Canopy & Anti Vibration Mount
Alternator
Electrical Plant and Panel

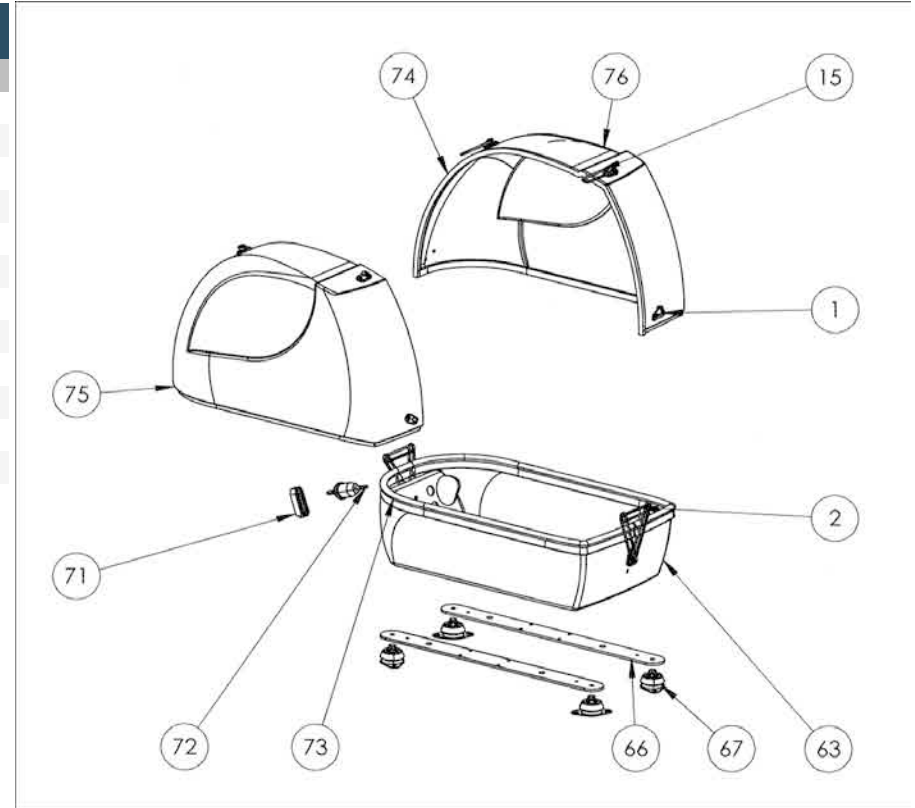
Engine Body

Cylinder Head, Timing Parts & Injection
Gear timing & Accessories
Flywheel, Piston & Connecting Rod
Crankshaft
Flywheel Housing
Crankcase

Fuel System

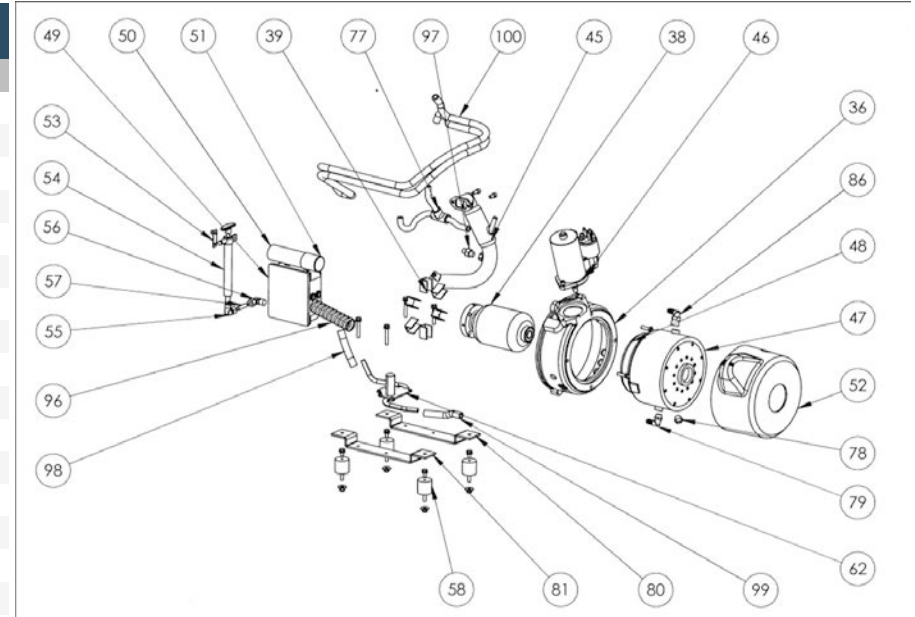
Fuel Supply Parts
Governor

D_GQNG_1_1		Canopy & Anti Vibration Mount				
FIG.	REF.	QTY	DESCR.	FROM	UPTO	
1	605B0029	1	Hook			
2	605B0030	4	Closing Rubber Strip			
15	605B0031	4	Closing Rubber Strip			
63	605B0032	1	Multilayer Gpr Capsule			
66	605B0033	2	External Bracket			
67	605B0034	4	External Rubber Mount			
71	605B0035	1	Female 8 Poles Connection			
72	605B0036	1	Diesel Pre-Filter			
73	605B0037	1	Hood Gasket Bottom			
74	605B0038	1	Hood Gasket Above			
75	605B0039	1	Multilayer Gpr Capsule			
76	605B0040	1	Multilayer Gpr Capsule			



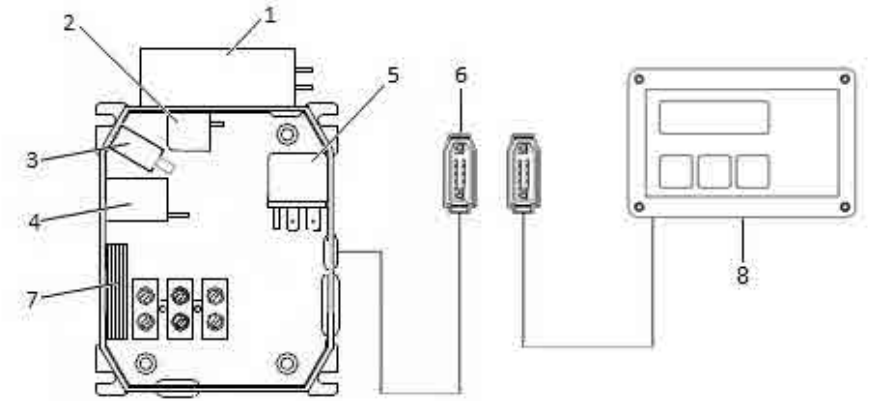


D_GQNG_1_2		Alternator				
FIG.	REF.	QTY	DESCR.	FROM	UPTO	
100	605B0028	1	Cooling Water Pipe			
36	605B0001	1	Housing			
38	605B0002	1	Rotor			
39	605B0003	6	Protection			
45	605B0004	1	Exhaust Manifold			
46	605B0005	1	Starter			
47	605B0006	1	Stainless Steel Heat Exchanger			
48	605B0007	1	Stator			
49	605B0008	1	Complete Box And Wiring Harness			
50	605B0009	1	Capacitor			
51	605B0010	1	Capacitor'S Cap			
52	605B0011	1	Air Conveyor			
53	605B0012	1	Pump Support			
54	605B0013	1	Oil Extraction Pump			
55	605B0014	1	Elbow 1/4"			
56	605B0015	1	Curved Raccord 3/8"			
57	605B0016	1	Cooper Pipe D8 x 10			
58	605B0017	4	Internal Antivibrating Rubber Mount			
62	605B0018	1	Oil Cooler			
77	605B0019	1	Rubber Water Pipes			
78	605B0020	1	Cap 3/8"			
79	605B0021	1	Curvetta Portagomma Ot. 3/8X13			
80	605B0022	1	Engine Internal Mount Left Side			
81	605B0023	1	Engine Internal Mount Right Side			
86	605B0024	1	Raccordo Wes 12R 1/2			
96	605B0025	1	Engine Air Intake			
97	605B0026	1	Termoswitch			
98	605B0027	1	Cooling Water Pipe			

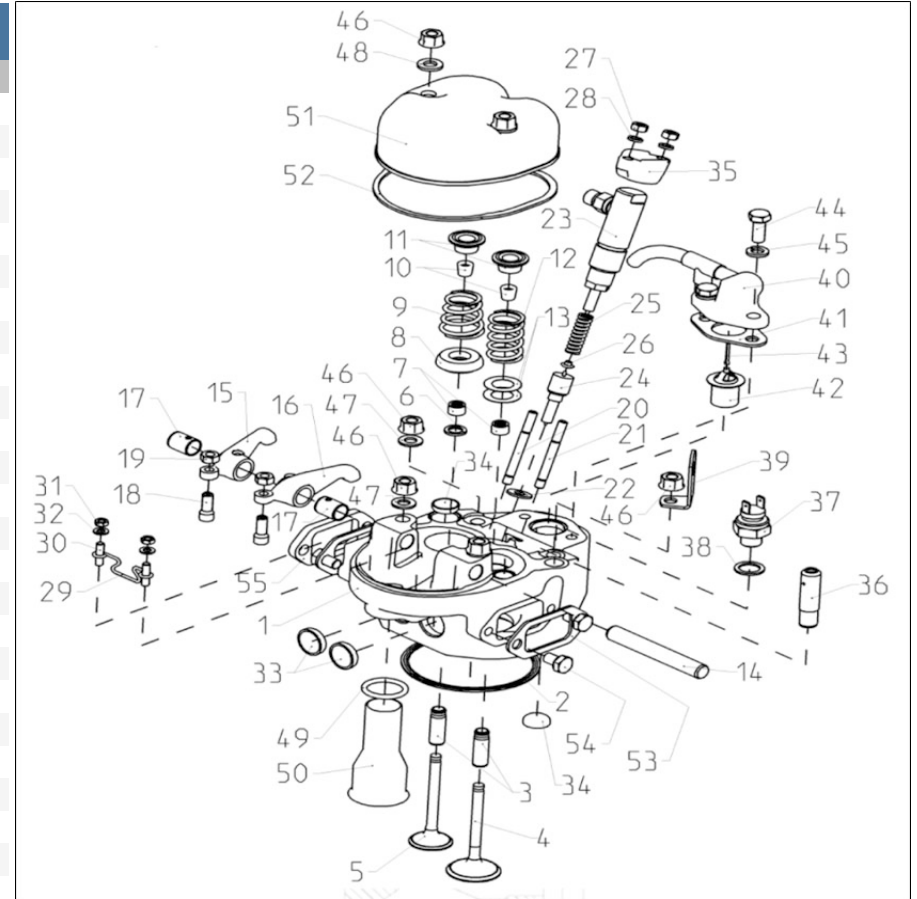




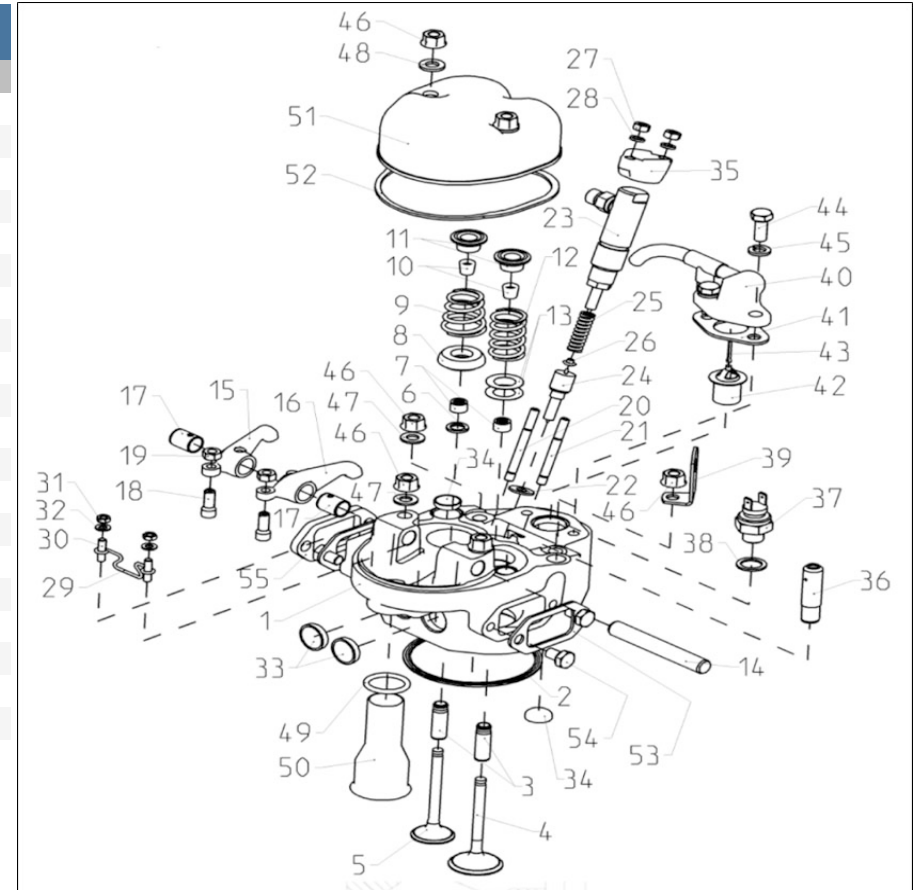
D_GQNG_1_4		Electrical Plant and Panel			
FIG.	REF.	QTY	DESCR.	FROM	UPTO
1	605B0009	1	Capacitor		
2	GC027001	1	Battery Charger Regulator		
3	GC027081	1	Termoswitch		
4	605B0266	1	Current Transformer		
5	GC027005	1	Relay 12 V		
6	GC020088	1	Connector, 8 Pins Female		
7	605B0247	1	Resistor R47		
8	609B0230S	1	SPA 10 Panel 4GSCH		



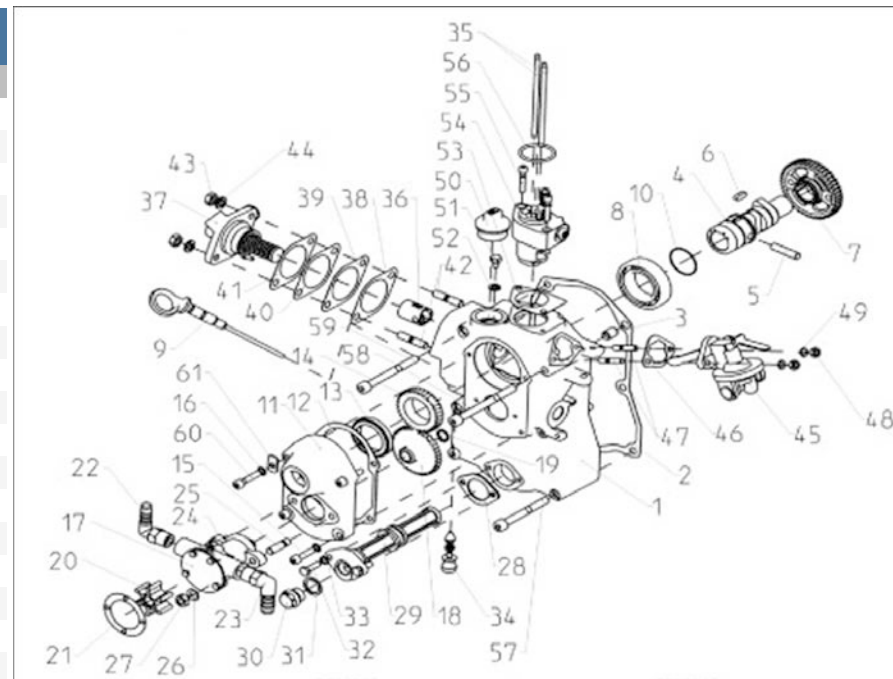
D_GQ01_1_1		Cylinder Head, Timing Parts & Injection			
FIG.	REF.	QTY	DESCR.	FROM	UPTO
1	605B0084	1	Cylinder Head Assembly		
2	605B0085	1	Cylinder Head Gasket 1,3Mm		
3	605B0086	2	Valve Guide		
4	605B0087	1	Valve Cone		
5	605B0088	1	Valve Cone		
6	605B0089	1	Ring		
7	605B0090	2	Valve Steam Gasket 80803		
8	605B0091	1	Rotocap-Valve		
9	605B0092	1	Pressure Spring		
10	605B0093	2	Valve Cotter		
11	605B0094	2	Spring Retainer		
12	605B0095	1	Pressure Spring		
13	605B0096	2	Washer		
14	605B0097	1	Shaft Rocker Arm		
15	605B0098	1	Rocker Arm		
16	605B0099	1	Rocker Arm		
17	605B0100	2	Bush		
18	605B0101	2	Pressure Screw		
19	605B0102	2	Hexagon Nut M7		
20	605B0103	1	Stud M6X55		
21	605B0104	1	Stud M6X50		
22	605B0105	1	Gasket		
23	605B0106	1	Nozzle Holder		
24	605B0107	1	Nozzle		
25	605B0108	1	Nozzle Spring		
26	605B0109	1	Pressure Pin		
27	605B0110	2	Hexagon Nut M6		
28	605B0058	2	Spring Washer 6		
29	605B0111	1	Spring Shackle		
30	605B0112	2	Stud M5X10		
31	605B0113	2	Hexagon Nut M5		
32	605B0114	2	Washer 5.3		
33	605B0081	2	Sealing Push-In Cap 22Mm		
34	605B0115	2	Sealing Push-In Cap 18Mm		
35	605B0116	1	Flange		



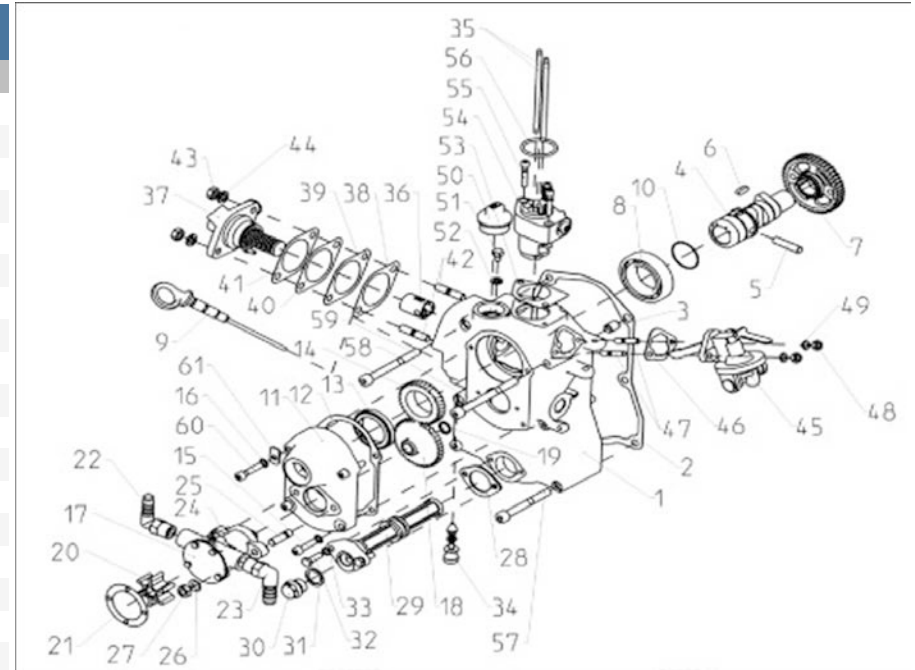
D_GQ01_1_1		Cylinder Head, Timing Parts & Injection			
FIG.	REF.	QTY	DESCR.	FROM	UPTO
36	605B0117	1	Outlet Valve		
37	605B0118	1	Temperature Switch 85°2-Pol		
38	605B0119	1	Copper Washer A14X20X1.5		
39	605B0120	1	Suspension Plate		
40	605B0121	1	Connecting Piece		
41	605B0122	1	Gasket		
42	605B0123	1	Thermostat 50°C		
43	605B0124	1	Splint 2X16		
44	605B0125	2	Hexagon Screw M8		
45	605B0126	2	Spring Washer B8		
46	605B0073	6	Collar Nut		
47	605B0127	3	Washer A 8.4		
48	605B0128	2	Washer 8.4X17X2		
49	605B0129	1	O-Ring 24X3.5		
50	605B0130	1	Protective Pipe		
51	605B0131	1	Valve Hood		
52	605B0132	1	Gasket		
53	605B0133	2	Gasket		
54	605B0134	4	Hexagon Screw M8		
55	605B0135	1	Flange		



D_GQ01_1_2		Gear timing & Accessories			
FIG.	REF.	QTY	DESCR.	FROM	UPTO
1	605B0136	1	Timing Case		
2	605B0137	1	Gasket		
3	605B0138	2	Split Pin 10X16		
4	605B0139	1	Camshaft		
5	605B0140	1	Bolt		
6	605B0141	1	Fitting Key A6X4X14		
7	605B0142	1	Spur Gear		
8	605B0143	1	Grooved Ball Bearing 6007		
9	605B0144	1	Oil Dipstick		
10	605B0145	1	O-Ring 32.7X1.3		
11	605B0146	1	Housing Cover		
12	605B0147	1	Gasket		
13	605B0148	1	Oil Seal 34.8X50X7/7.5 W01		
14	605B0149	1	Spur Gear		
15	605B0150	2	Socket Cap Screw M6X25		
16	605B0151	4	Toothed Lock Washer J6.4		
17	605B0152	1	Cooling Water Pump		
18	605B0153	1	Spur Gear		
19	605B0154	1	Retaining Ring 12X1		
20	605B0155	1	Impeller		
21	605B0156	1	Gasket		
22	605B0157	1	Screw-In Fitting Wes 10/3/8		
23	605B0158	1	Screw-In Fitting Wes 12 R3/8		
24	605B0159	1	Clamp		
25	605B0160	2	Stud M8X20		
26	605B0161	2	Lock Washer A8		
27	605B0049	2	Hexagon Nut M8		
28	605B0162	1	Gasket		
29	605B0163	1	Oil Filter Assembly		
30	605B0164	1	Plug Screw 3/8		
31	605B0165	1	Copper Washer A17X23X1.5		
32	605B0166	2	Hexagon Screw M6X20		
33	605B0167	2	Copper Washer A6X10X1.5		
34	605B0168	1	Primer Assembly		
35	605B0169	2	Push Rod		



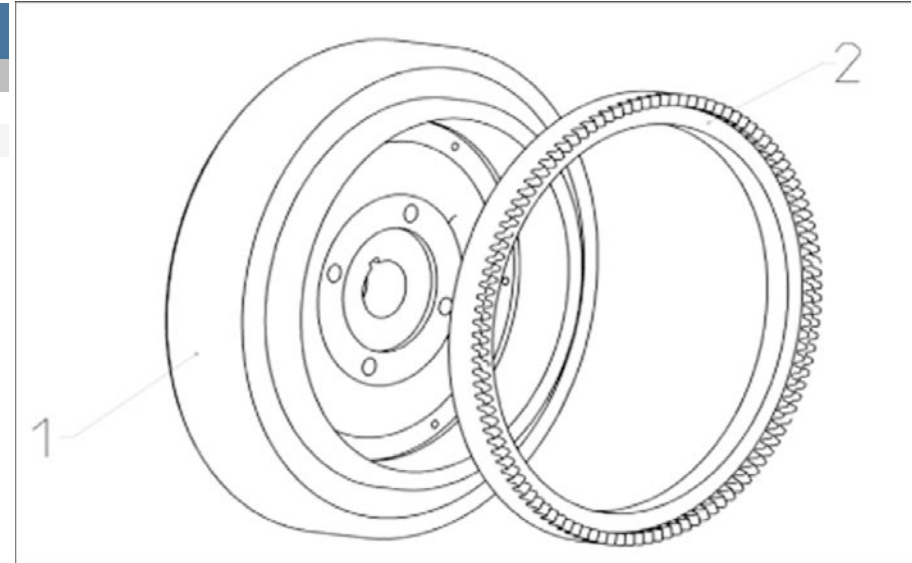
D_GQ01_1_2		Gear timing & Accessories			
FIG.	REF.	QTY	DESCR.	FROM	UPTO
36	605B0170	1	Roller Tappet		
37	605B0171	1	Fuel Injection Pump 1Q65/42		
38	605B0172	1	Gasket		
39	605B0173	1	Shim 0.5		
40	605B0174	1	Shim 0.2		
41	605B0175	1	Shim 0.35		
42	605B0176	2	Stud M8X20		
43	605B0049	2	Hexagon Nut M8		
44	605B0177	2	Spring Washer B8		
45	605B0178	1	Feed Pump		
46	605B0179	1	Gasket		
47	605B0180	2	Stud M6X16		
48	605B0110	2	Hexagon Nut M6		
49	605B0181	2	Lock Washer A6		
50	605B0182	1	Screwed Drain Plug		
51	605B0183	1	Hexagon Screw		
52	605B0184	1	Spring Washer A6		
53	605B0185	1	Gasket		
54	605B0186	1	Compression Release		
55	605B0187	2	Socket Cap Screw M5X30		
56	605B0188	1	O-Ring 32X3		
57	605B0189	2	Socket Cap Screw M8X70		
58	605B0190	1	Socket Cap Screw M8X90		
59	605B0191	2	Socket Cap Screw M8X80		
60	605B0059	2	Socket Cap Screw M6X30		
61	605B0192	1	Washer		
NS	605B0268	1	Water Pump Shaft		



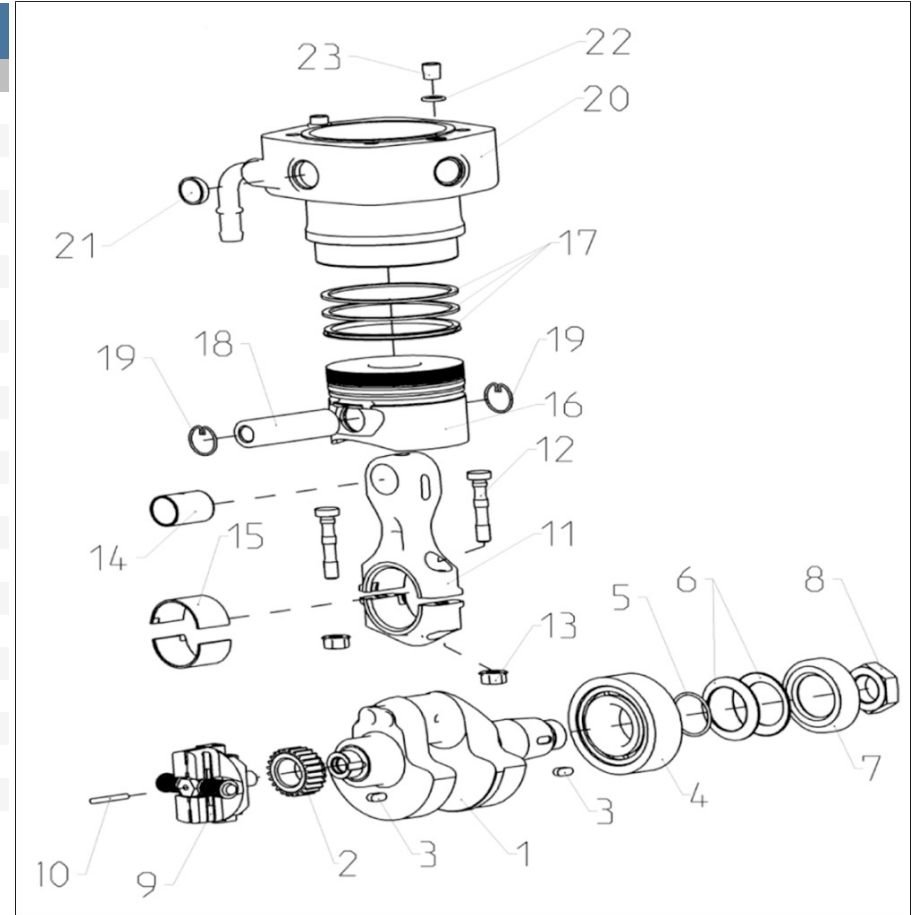
[NS] No mostrada



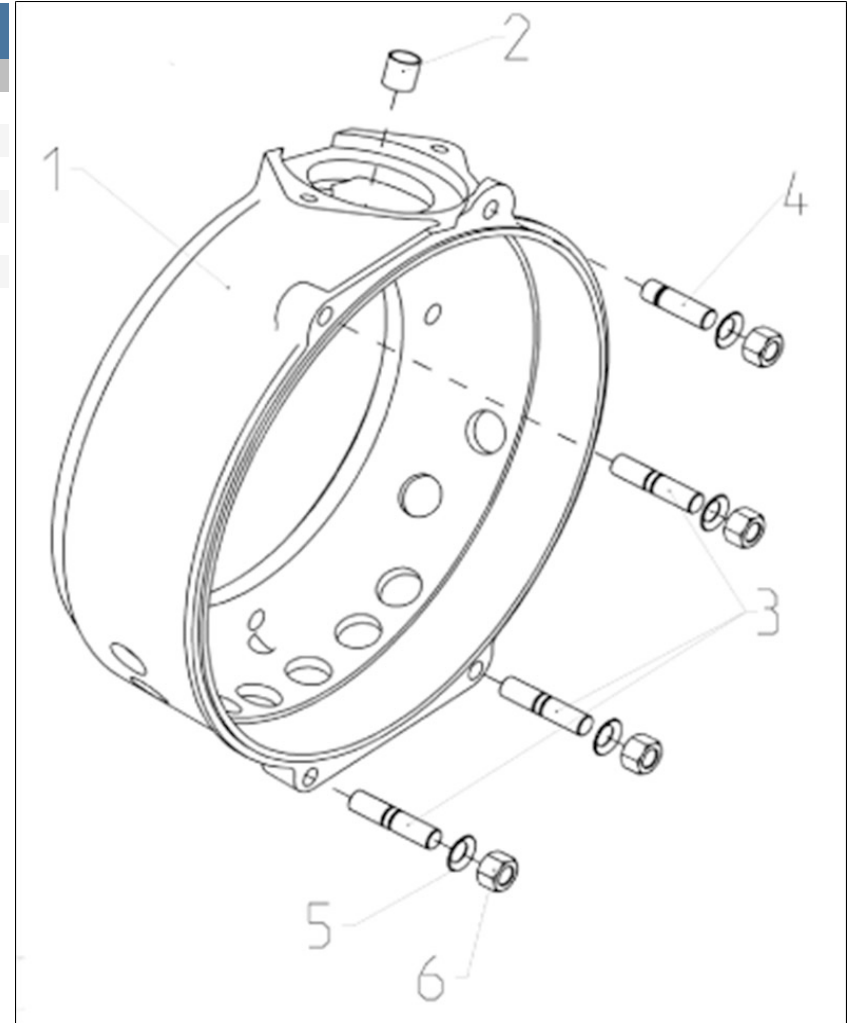
D_GQ01_1_3 Flywheel, Piston & Connecting Rod					
FIG.	REF.	QTY	DESCR.	FROM	UPTO
1	605B0233	1	Gear Ring		
2	605B0234	1	Bushing		



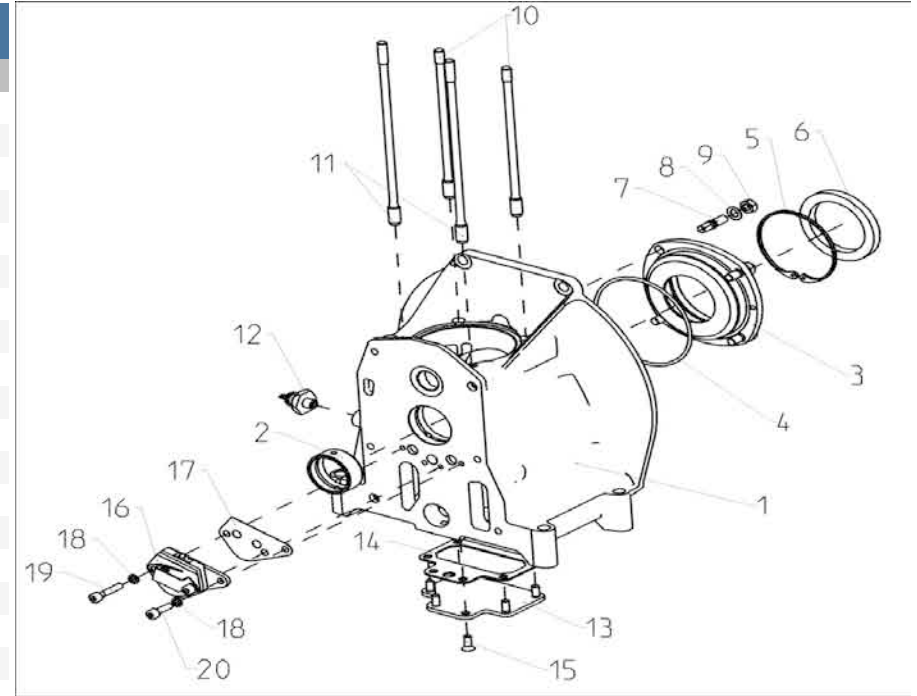
D_GQ01_1_4		Crankshaft				
FIG.	REF.	QTY	DESCR.	FROM	UPTO	
1	605B0061	1	Crankshaft			
2	605B0062	1	Spur Gear			
3	605B0063	2	Fitting Key A6X4X12			
4	605B0064	1	Cylinder Roller Bearing			
5	605B0065	1	O-Ring 32X2			
6	605B0066	2	Belleville Washer 52X36X1.2			
7	605B0067	1	Ball Race			
8	605B0068	1	Flywheel Nut			
9	605B0069	1	Governor N=3100E			
10	605B0070	1	Pin 4X27.8			
11	605B0071	1	Connecting Rod			
12	605B0072	2	Connecting Rod Bolt			
13	605B0073	2	Collar Nut			
14	605B0074	1	Piston Pin Bushing			
15	605B0075	1	Bearing Shell			
16	605B0076	1	Piston Assembly			
17	605B0077	1	Piston Ring Set			
18	605B0078	1	Piston Pin			
19	605B0079	2	Lock-Piston Pin A22X1.5			
20	605B0080	1	Cylinder			
21	605B0081	4	Sealing Push-In Cap 22Mm			
22	605B0082	2	O-Ring 10X2.2			
23	605B0083	2	Water Transfer Pipe			



D_GQ01_1_5		Flywheel Housing			
FIG.	REF.	QTY	DESCR.	FROM	UPTO
1	605B0001	1	Housing		
2	605B0235	1	Stud M10X25		
3	605B0236	3	Stud M10X25		
4	605B0237	1	Lock Washer A10		
5	605B0238	4	Hex Nut M10 Sw15		
6	605B0239	4	Hex Nut M10 Sw15		

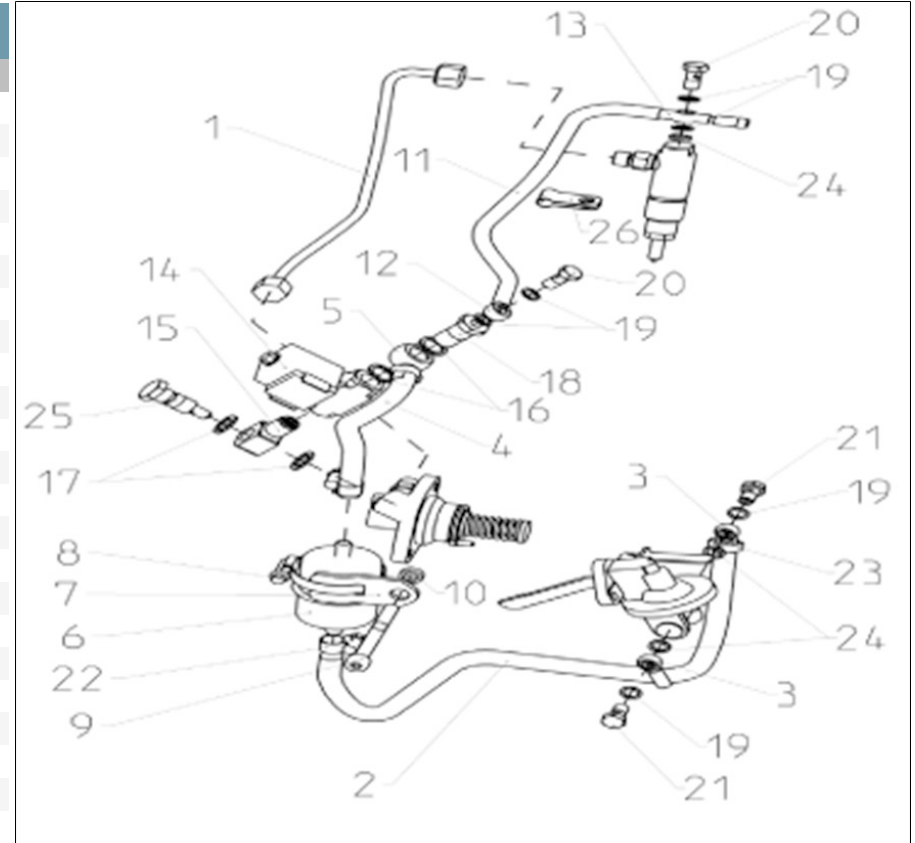


D_GQ01_1_6		Crankcase			
FIG.	REF.	QTY	DESCR.	FROM	UPTO
1	605B0041	1	Crankcase		
2	605B0042	1	Main Bearing Bush		
3	605B0043	1	Bearing Cover		
4	605B0044	1	O-Ring 99X3		
5	605B0045	1	Retaining Ring 80X2.5		
6	605B0046	1	Oil Seal 60X80X8		
7	605B0047	4	Stud		
8	605B0048	4	Serrated Lock Washer I8.4		
9	605B0049	4	Hexagon Nut M8		
10	605B0050	2	Stud (Cylinder Mtg)		
11	605B0051	2	Stud (Cylinder Mtg)		
12	605B0052	1	Oil Pressure Switch 1-Pole		
13	605B0053	1	Cover		
14	605B0054	1	Gasket		
15	605B0055	6	Screw Hd C.S. M6X16		
16	605B0056	1	Oil Pump		
17	605B0057	1	Gasket		
18	605B0058	2	Spring Washer 6		
19	605B0059	2	Socket Cap Screw M6X30		
20	605B0060	1	Socket Cap Screw M6X20		





D_GQ01_4_1		Fuel Supply Parts				
FIG.	REF.	QTY	DESCR.	FROM	UPTO	
1	605B0207	1	Fuel Pressure Pipe			
2	605B0208	1	Fuel Pipe			
3	605B0209	2	Ring Piece			
4	605B0210	1	Fuel Pipe			
5	605B0211	1	Connector			
6	605B0212	1	Fuel Filter			
7	605B0213	1	Bracket			
8	605B0214	1	Hose Clamp 32-50/9-C72			
9	605B0191	1	Socket Cap Screw M8X80			
10	605B0215	1	Ring Piece			
11	605B0216	1	Fuel Pipe			
12	605B0217	1	Ring Piece			
13	605B0218	1	Ring Piece			
14	605B0219	1	Solenoid Valve 12V Assy			
15	605B0220	1	Ring Piece			
16	605B0221	3	Gasket 13.5X18X1.5			
17	605B0222	2	Copper Washer A8X12X1.5			
18	605B0223	1	Banjo Bolt			
19	605B0224	5	Copper Washer A8X12X1			
20	605B0225	2	Banjo Bolt M8X1			
21	605B0226	2	Banjo Bolt M8			
22	605B0227	2	Hose Clamp 8-16/9-C72			
23	605B0228	2	2 Ear Clip 11-13			
24	605B0229	3	Gasket			
25	605B0231	1	Pipe Clamp			
26	605B0232	1	Flywheel			



D_GQ01_4_2		Governor				
FIG.	REF.	QTY	DESCR.	FROM	UPTO	
1	605B0193	1	Speed Controll Assembly			
2	605B0194	1	Eccentric Shaft			
3	605B0082	1	O-Ring 10X2.2			
4	605B0195	1	Retaining Spring			
5	605B0196	1	Adjusting Lever			
6	605B0197	1	Locking Plate			
7	605B0198	1	Adjusting Screw			
8	605B0199	1	Spring-Stop Hex Nut M6			
9	605B0200	1	Circular Spring			
10	605B0201	1	Control Plate			
11	605B0202	1	Lever			
12	605B0203	1	Torsion Spring			
13	605B0049	1	Hexagon Nut M8			
14	605B0048	1	Serrated Lock Washer I8.4			
15	605B0204	1	Blind Rivet 3,2X8			
16	605B0205	1	Threaded Pin M8X25			
17	605B0206	1	Hex Nut 8Mm			

