



# Genset 14 GS/GSC & 17 GSA/GSAC

VERSION 2023-8

SPARE PARTS MANUAL



## PARTS LIST CATALOGUE

### NORMS TO PLACE AN ORDER:

For fast and more efficient service, please specify the following information on spare parts orders that must be preferably done by FAX or e-mail as specified below:

- 1- Engine model: As shown in identification plate
- 2- Engine serial number: As shown in identification plate and stamped on crankcase
- 3- Item description + part number + quantity required

---

### Spare parts requests must be addressed to:

[recambios@solediesel.com](mailto:recambios@solediesel.com)

Telf.: +34 93 775 44 05

Fax: +34 93 775 30 13

---

The components shown in the catalog have:

- Figure: Number by which they are represented in scheme
  - Description: Trade name of the component
  - Quantity: Total number of parts used in the assembly of the part represented (may differ from the total minimum quantities)
- Hoses, indicates the total length in meters

---

*The diagrams shown in this catalog of spare parts, have only the purpose to identify the piece in question, its representation is not meaningful and may differ from the actual piece.*

*In case of doubt, contact Solé Diesel, or your authorized dealer.*

*The parts i / or references in this catalog are subject to change without notice.*

---

[SOLE S.A.](#)

C-243b, Km, 2 - P.O. BOX 15  
08760 Martorell (Barcelona) Spain

---

Download the latest version of this manual [HERE](#)

## Engine Body

Cylinder Head  
Rocker Cover & Breather  
Valve Drive  
Timing Parts  
Gear Case  
Crankcase  
Rear Plate  
Piston & Connection Rod  
Crankshaft & Flywheel  
Oil System  
Oil Pan  
Engine Brackets

## Inlet & Exhaust

Inlet

## Cooling System

Water Pump  
Cooler Pipes  
Water Cooler Assy MINI-44 v6 from to 27/11/2020  
Water Cooler Assy MINI-44 up to 27/11/2020  
Wet Exhaust  
1/2" Pump Water, Set  
Splined Pump 1/2" MINI-11/17/29/33/44  
Splined Pump 3/8" MINI-48 Gen-26/33/44

## Fuel System

Fuel Pipe  
Injection Nozzle  
Fuel Injection Pump  
Governor Parts  
Fuel Supply Parts

## Electrical System

Electrical System 12V  
Electrical System 24V  
Parallel Electrical System 12V  
Panels for Genset  
Panel Components for Genset  
Electrical Box for Parallel  
Genset Extension  
Parallel Genset Extension

## Genset Alternator Spare Parts

Alternator 14 GS/GSC Y 17 GSA/GSAC  
Alt.SINCRO I 16,5KVA 1500RPM 230V

## Genset Alternator Kit

1 Phase SINCRO Alt. Kit (S)  
1 Phase SINCRO Alt. Kit (C)

## Chassis Spare Parts

Chassis

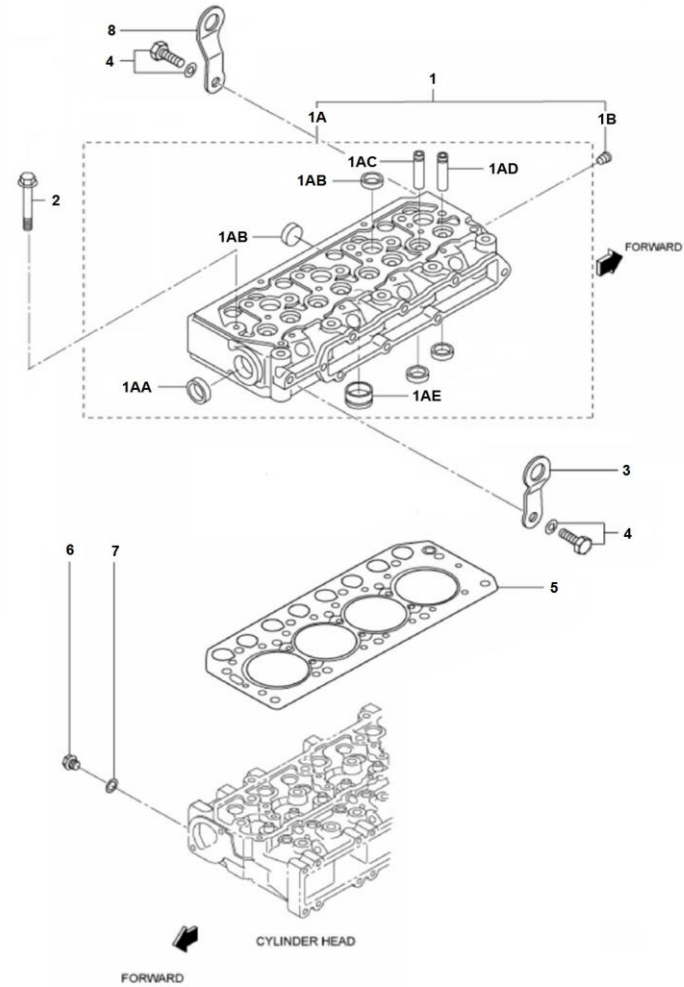
## Canopy Spare Parts

Cabin  
Kit Cabin

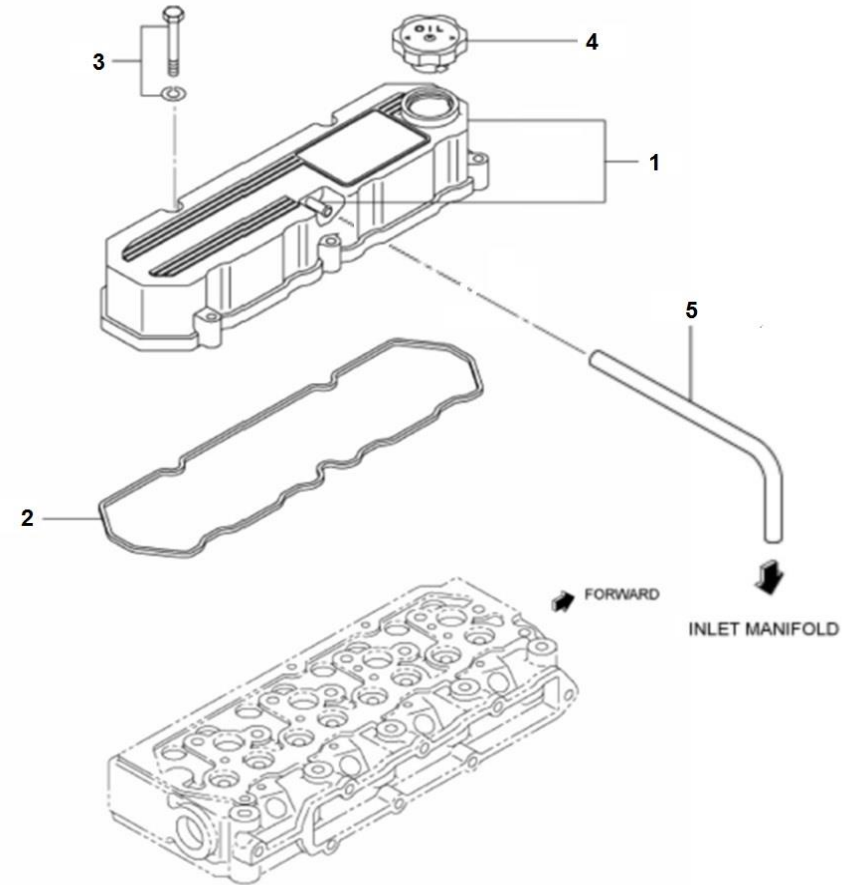
## Maintenance Kit

Gasket Kit  
Pipe Rubber Set, Water Line  
Repair Kit Water Pump 1/2"  
Repair Kit Water Pump 1/2"  
Special Tools

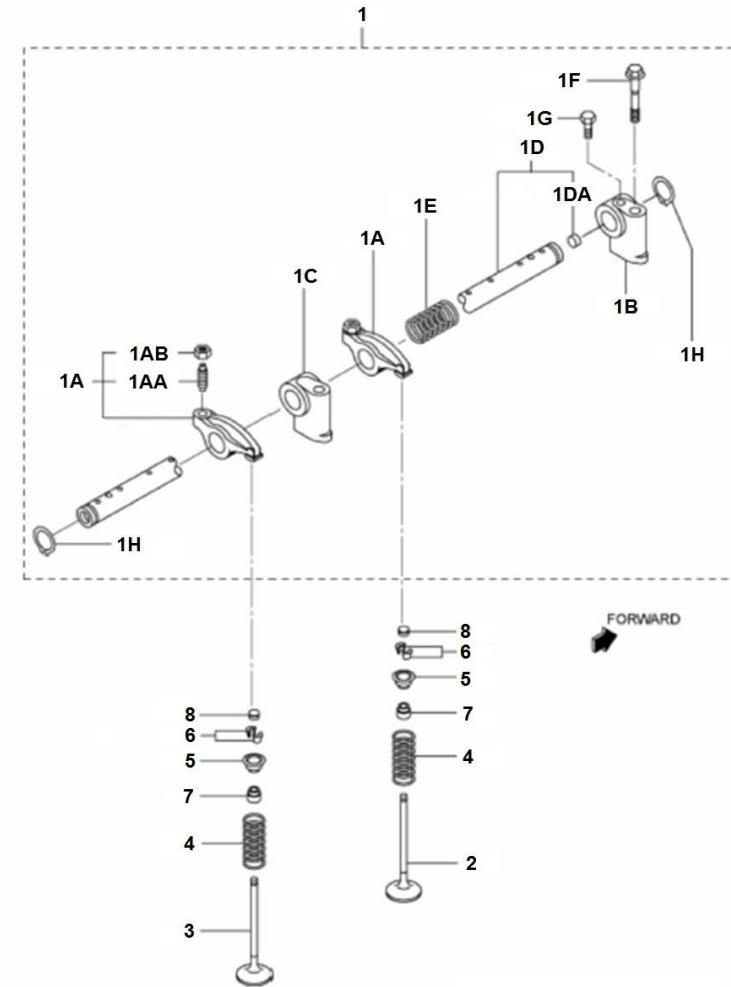
D_GD01_1_1 Cylinder Head						
FIG.	REF.	QTY	DESCR.	FROM	UPTO	
1	17321001G.1	1	Head Assy,cylinder			
1A	17321002	1	Cylinder Head			
1AA	17020012	1	Cap			
1AB	13220012	7	Cap Sealing			
1AC	17221002	4	Guide, Valve Exhaust			
1AD	17221003	4	Guide, Valve, Inlet			
1AE	17221015G	4	Jet, Combustion (Generator)			
1B	17820011	1	Plug, Tapered			
2	17221005	14	Bolt,cylinder head			
3	13221011	1	HANGER Engine			
4	17720010	2	Bolt,W/Washer			
5	17321004	1	Gasket, Cylinder Head			
6	17121016	1	Plug, drain			
7	17121013	1	Gasket			
8	17210008	1	HANGER, Engine			



D_GD01_1_2		Rocker Cover & Breather				
FIG.	REF.	QTY	DESCR.	FROM	UPTO	
1	17321009	1	Cover Assy, Rocker			
2	17321010	1	Rocker Cover Gasket			
3	17421014G.1	5	Bolt W/Washer (Generator)			
4	17221003G	1	Cap Oil Filler			
5	17321006.4	1	Hose Breather			



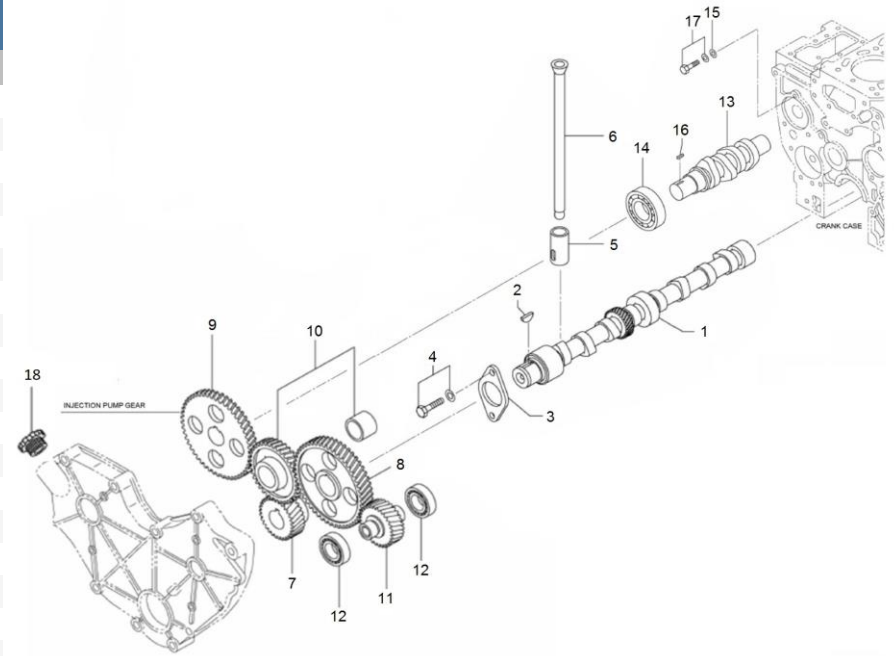
D_GD01_1_3		Valve Drive				
FIG.	REF.	QTY	DESCR.	FROM	UPTO	
1	17322001	1	Shaft, Rocker Arm-In [NP]			
1A	17222142G	8	Rocker Assy			
1AA	17122044	8	Screw Adjusting			
1AB	17122060	8	Nut			
1B	17222048	1	Bracket, Rocker Shaft			
1C	17222049	3	Bracket, Rocker Shaft			
1D	17322046.4	1	Shaft Assy, Rocker			
1DA	17222025.4	2	Cap, Sealing			
1E	17422047G.1	3	Spring,Rocker			
1F	17222053.5G	4	Bolt			
1G	17222053	1	Bolt			
1H	17222050	2	Ring, SNAP			
2	17222055G	4	Intake Valve (Genset)			
3	17222056G	4	Exhaust Valve (Genset)			
4	17222057	8	Spring, Valve, INNER			
5	13822058	8	Retainer Valve SP			
6	13222059	16	Lock Valve			
7	13222054	8	Seal Valve Stem			
8	13822069	8	Cap Stem			



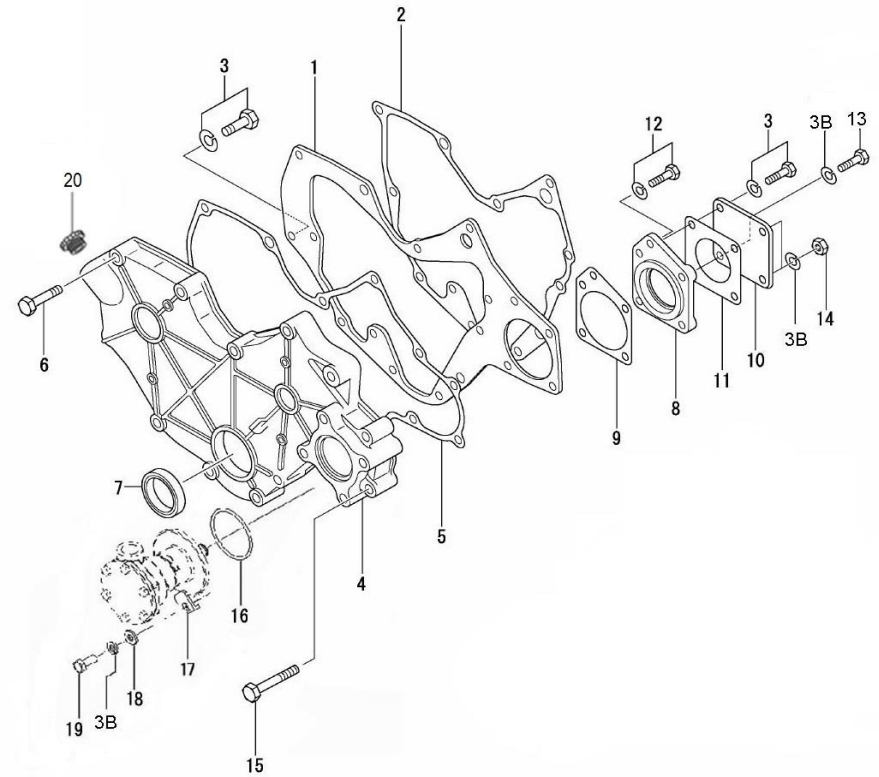
[NP] Not provided



D_GD01_1_4 Timing Parts						
FIG.	REF.	QTY	DESCR.	FROM	UPTO	
1	17322035	1	CamShaft			
2	13222020	1	KEY			
3	17422075	1	Plate,THRUST			
4	17821012	2	Bolt,W/Washer			
5	13222061	8	Tappet			
6	17222041	8	ROD, PUSH			
7	17222021	1	Gear, CrankShaft			
8	17222037	1	Gear, CamShaft			
9	17222043	1	Gear, Injection Pump			
10	17222038	1	Gear Assy, IDLER			
11	17222066G.1	1	Gear, Pressure Oil Pump			
12	17022067	2	Ball Bearing 6205-C3			
13	17322040	1	Shaft, Fuel Injection Pump			
14	13222062	1	Ball Bearing 6228			
15	17222065	1	Washer			
16	17622060.4	1	Key, Sunk			
17	17422037G.1	1	Bolt W/Washer (Generator)			
18	17621003	1	Cap Oil FILLER			

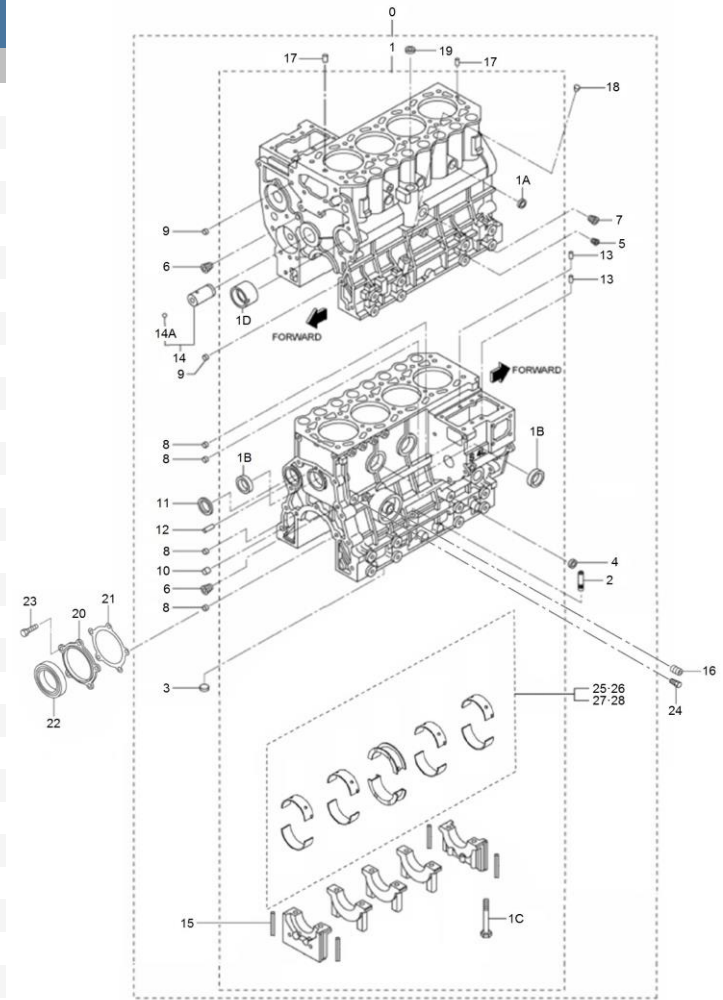


D_MID1_1_5		Gear Case			
FIG.	REF.	QTY	DESCR.	FROM	UPTO
1	17220024	1	Plate, Front		
2	17220018	1	Gasket, Front Plate		
3A	52102256	5	Bolt DIN 933 M8-16 8.8		
3B	53033008	12	Washer GROWER DIN 127-8		
4	17220035	1	Case Gear		
5	17220040	1	Gasket, Gear Case		
6	17220034.4	8	Bolt		
7	13220039	1	Seal Oil		
8	17220037	1	Housing, Gear Pump		
9	17220038	1	Gasket, Housing		
10	13120046	1	Cover Oil Pump SH		
11	13120047	1	Gasket Water Pump		
12	13322078	1	Bolt		
13	52101260	1	Bolt DIN 931 M8-35 8.8		
14	17120049	2	Nut M8		
15	17024062	2	Bolt		
16	17011007	1	O-Ring D. 57X3		
17	13811062	4	Pump Bracket		
18	51030008	4	Washer DIN 125-8		
19	52102257	4	Bolt DIN 933 M8-20 8.8		
20	17621003	1	Cap Oil FILLER		





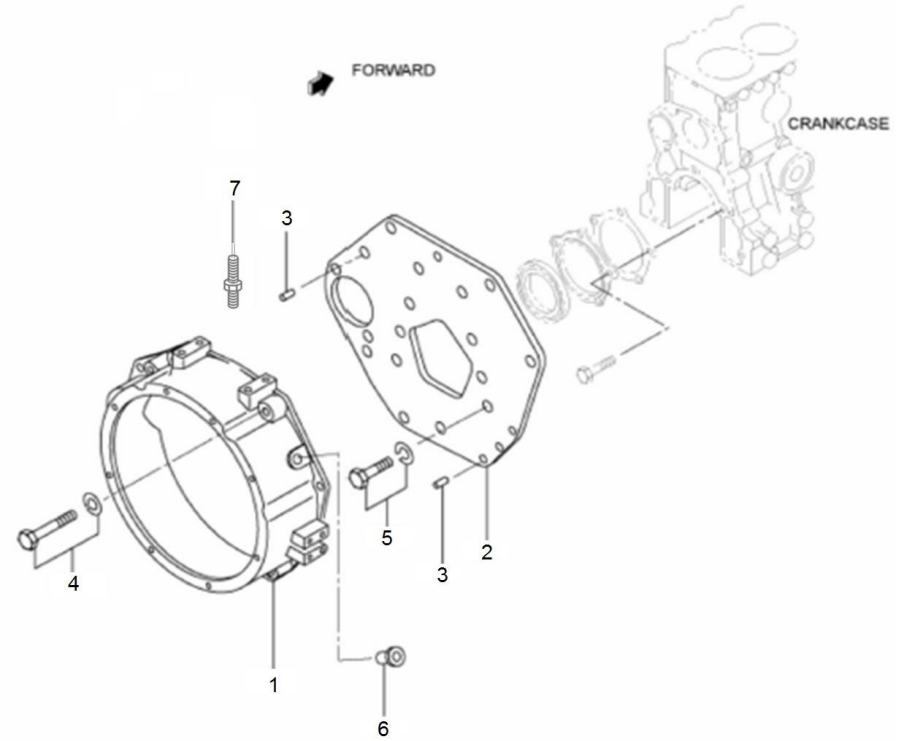
D_GD01_1_6		Cranckcase				
FIG.	REF.	QTY	DESCR.	FROM	UPTO	
0	17320001G.1	1	Block Assy, Cylinder			
1	(*)	1	Not available [NP]			
1A	17220006	3	Cap, Sealing			
1B	13320006	3	Cap, Sealing			
1C	17220009	10	Bolt Bearing Cap			
1D	17220011	1	Bushing, CamShaft			
2	17620007.4	1	Guide			
3	17220012.4	1	Cap, Sealing			
4	17220013	1	Cap, Sealing			
5	17820011	1	Plug, Tapered			
6	17720011	2	Plug,TAPERED			
7	17120021	1	Plug,taper			
8	13120009	4	Bushing			
9	13220021	2	Bushing KNOCK			
10	13220022	1	BUSHING,KNOCK			
11	17220019	1	Plug, Expansion			
12	17620020.4	1	Pin			
13	17620036.4	2	Pin Dowel			
14	17220014	1	Shaft Assy, IDLER			
14A	17220028	1	Ball			
15	17220002	4	Seal, Side			
16	13124047	1	Shaft Oil Filter			
17	17120019	2	Pin, dowel			
18	17220023	1	Plug, TAPER			
19	17020014	1	Cap			
20	17220015	1	Case, Oil Seal			
21	17220016	1	Gasket, Oil Seal Case			
22	17220063	1	Seal, Oil			
23	52102257	5	Bolt DIN 933 M8-20 8.8			
24	17824003	1	Plug, Tapered			
25	13220003	1	Bearing Set CRANK			
26	13220004	1	Bearing Set CRANK			
27	17320005	1	Bearing Set Crank [NP]			
28	17320006	1	Bearing Set Crank [NP]			



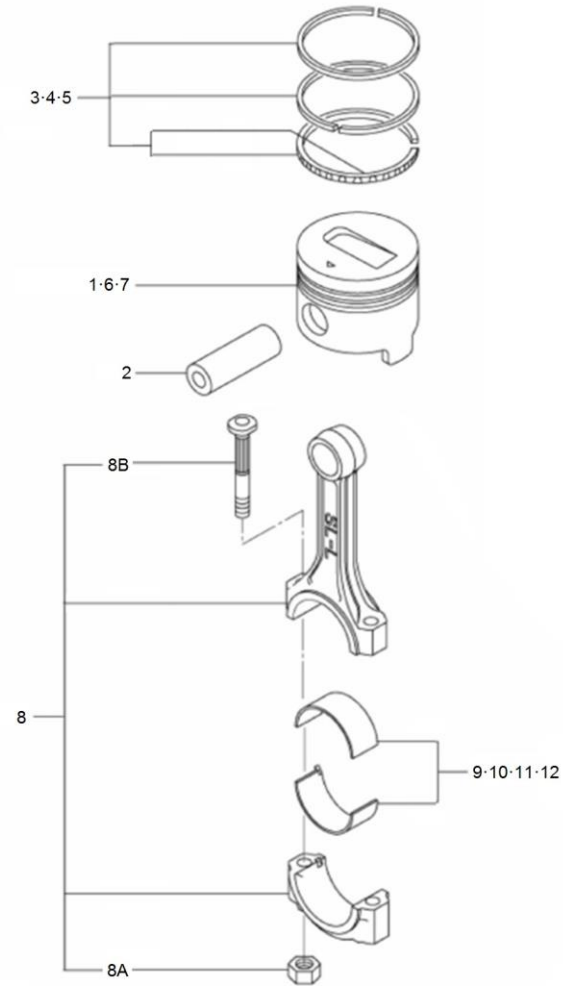
[NP] Not provided

D_GD01_1_7		Rear Plate				
FIG.	REF.	QTY	DESCR.	FROM	UPTO	
1A	17320016	1	Rear Plate			
<i>Figure A for Standard System</i>						
1B	17220004G	1	Housing Flywheel Double Pick-Up(Generator)			
<i>Figure b for Parallel System</i>						
2	17220017	1	Plate, REAR			
3	17320026	2	Pin			
4	17320018	2	Bolt			
5	17320019	13	Bolt			
6	13820013G	1	Plug (Generator)			
7B	60972519	1	Magnetic Speed Sensor			

*Figure b for Parallel System*

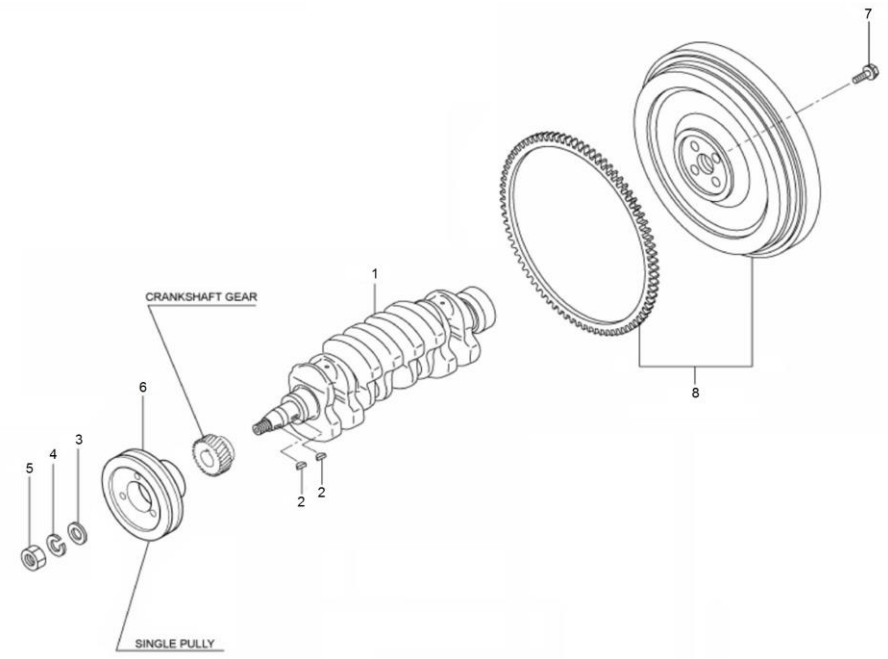


D_GD01_1_8						
Piston & Connecting Rod						
FIG.	REF.	QTY	DESCR.	FROM	UPTO	
1	17222005	4	Piston			
2	17222009	4	Pin, Piston			
3	17722006	4	Ring Set,Piston STD.			
4	17722007	4	Ring Set,Piston O.S 0.25			
5	17722008	4	Ring Set,Piston O.S 0.50			
6	17322012	4	Piston + 0,25			
7	17322013	4	Piston + 0,50			
8	17322010	4	ROD Assy, CONNECTING			
8A	17022011	8	Nut,connecting rod			
8B	17222013	8	Bolt,connecting rod			
9	17222014	4	Metal Set, Con Rod STD.			
10	17222015	4	METAL Set, CON ROD - 0,25			
11	17222016	4	METAL Set, CON ROD - 0,50			
12	17222017	4	METAL Set, CON ROD - 0,75			



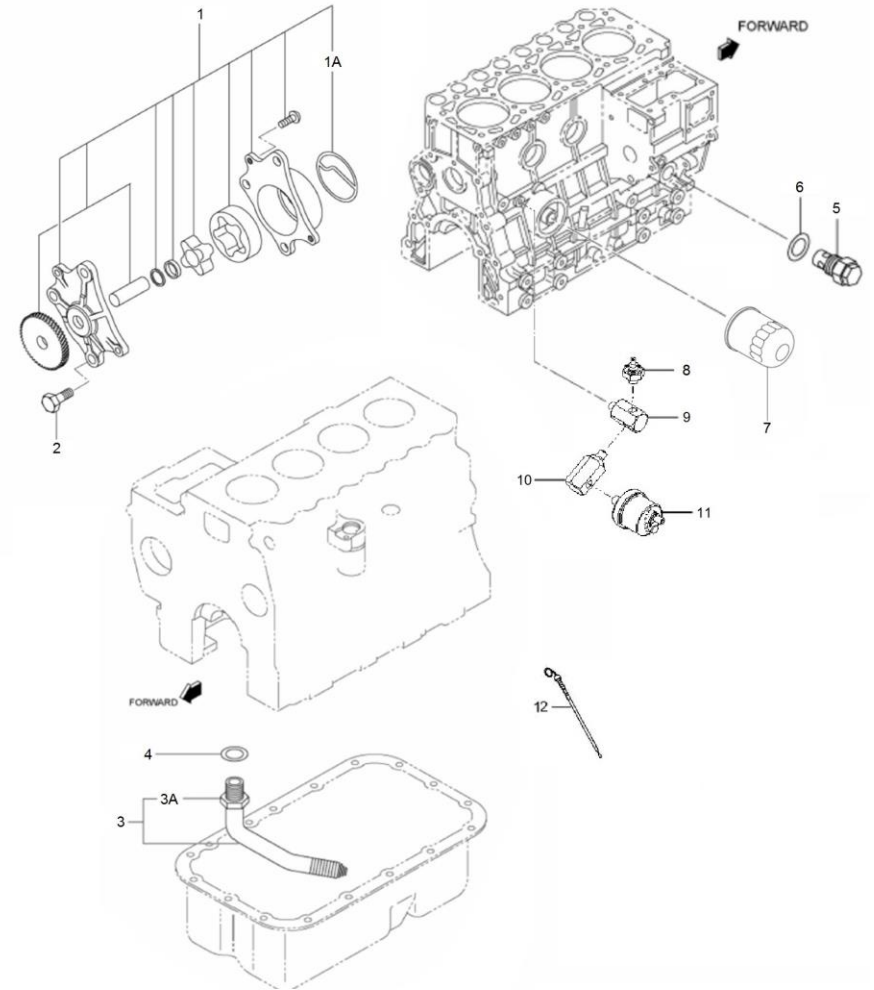


D_GD01_1_9		Crankshaft & Flywheel				
FIG.	REF.	QTY	DESCR.	FROM	UPTO	
1	17322018	1	CrankShaft			
2	13222020	2	KEY			
3	17222051	1	Washer, Plain			
4	53033018	1	Washer GROWER DIN 127-18			
5	13222026	1	Nut			
6	17322024.4	1	Pulley CrankShaft			
7	17022031	4	Bolt Drive			
8	17322027G.1	1	Flywheel Assy			



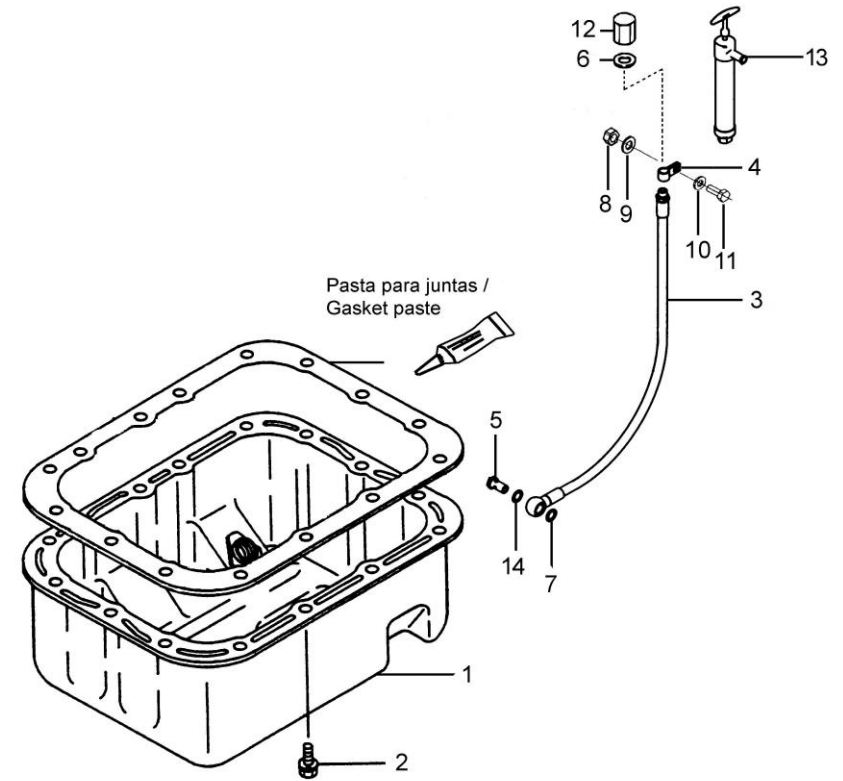


D_GD01_1_10		Oil System			
FIG.	REF.	QTY	DESCR.	FROM	UPTO
1	17224040	1	Pump Assy, Oil		
1A	17224041	1	Packing, Body		
2	17302258	3	Bolt		
3	13224052	1	SCREEN Assy Oil		
3A	13822026	1	Nut		
4	17024001	1	Gasket		
5	17124072	1	Valve, Assy		
6	17424063	1	Gasket		
7	13124051	1	Oil Filter Element from MINI 11 to 55		
8A	17127027.1	1	SWITCH, oil pressure		
<i>Figure A for Standard System</i>					
8B	60900979	1	Earth Isolated Oil Press Switch 0.5 Bar M10x1 SG		
<i>Figure b for Parallel System</i>					
9	13817051	1	Sender Holder		
10	17214058	1	Sender Holder		
11A	60900985	1	Pressure Sensor		
<i>Figure A for Standard System</i>					
11B	60900990	1	Sender, Oil Press 10 Bar Bipolar + Washer		
<i>Figure b for Parallel System</i>					
12	17220029	1	Gauge Oil LEVEL		

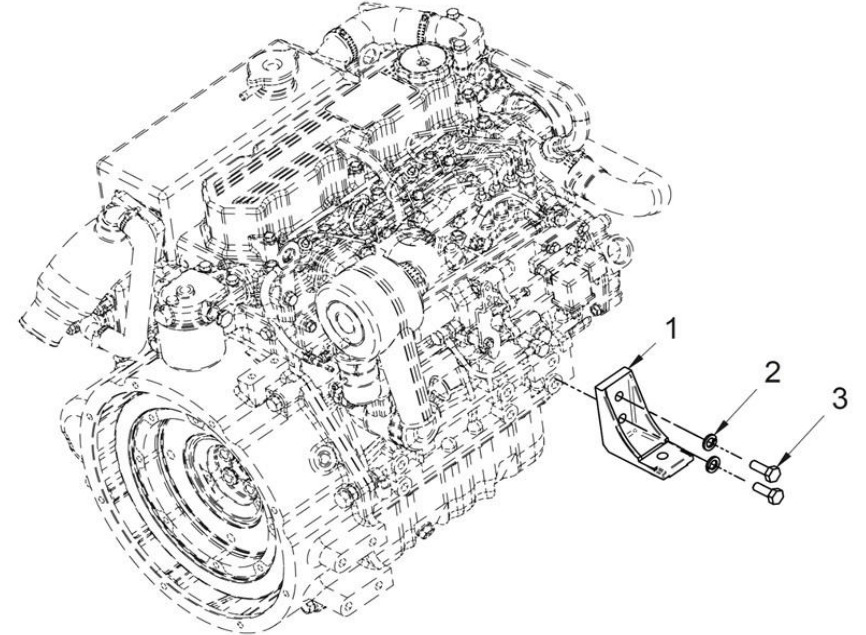




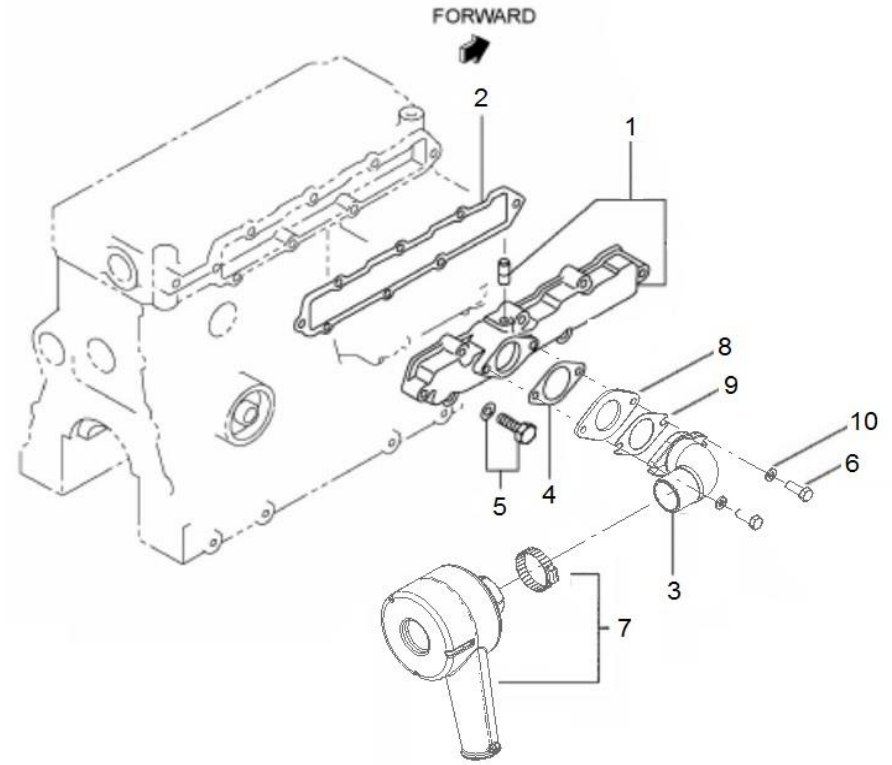
D_GD01_1_11		Oil Pan				
FIG.	REF.	QTY	DESCR.	FROM	UPTO	
1	17320030G	1	PAN Assy, Oil (Generator)			
2	17821012	17	Bolt,W/Washer			
3	17214021	1	ExtraCTION, Hose			
4	17214022	1	Bracket, Pipe			
5	12814051	1	Screw,eye			
6	56000217	1	Washer 13-20-3			
7	56000219	1	Washer 14-20-3			
8	52220012	1	Nut DIN 934 M12-1,25 8.8			
9	51030012	1	Washer DIN 125-12			
10	53038012	1	Washer DIN 6798-A 12			
11	52202363	1	Bolt DIN 933 M12-1,25-50 8.8			
12	16514020	1	Plug			
13	14714001	1	Oil Extraction Pump			
14	56000069	1	Washer 14-20-1,5			



D_GC01_1_12		Engine Brackets				
FIG.	REF.	QTY	DESCR.	FROM	UPTO	
1	17210034	2	Front Bracket			
2	53033012	2	Washer Grower DIN 127-12			
3	52202359	2	Bolt DIN 933 M12-1,25-30 8.8			

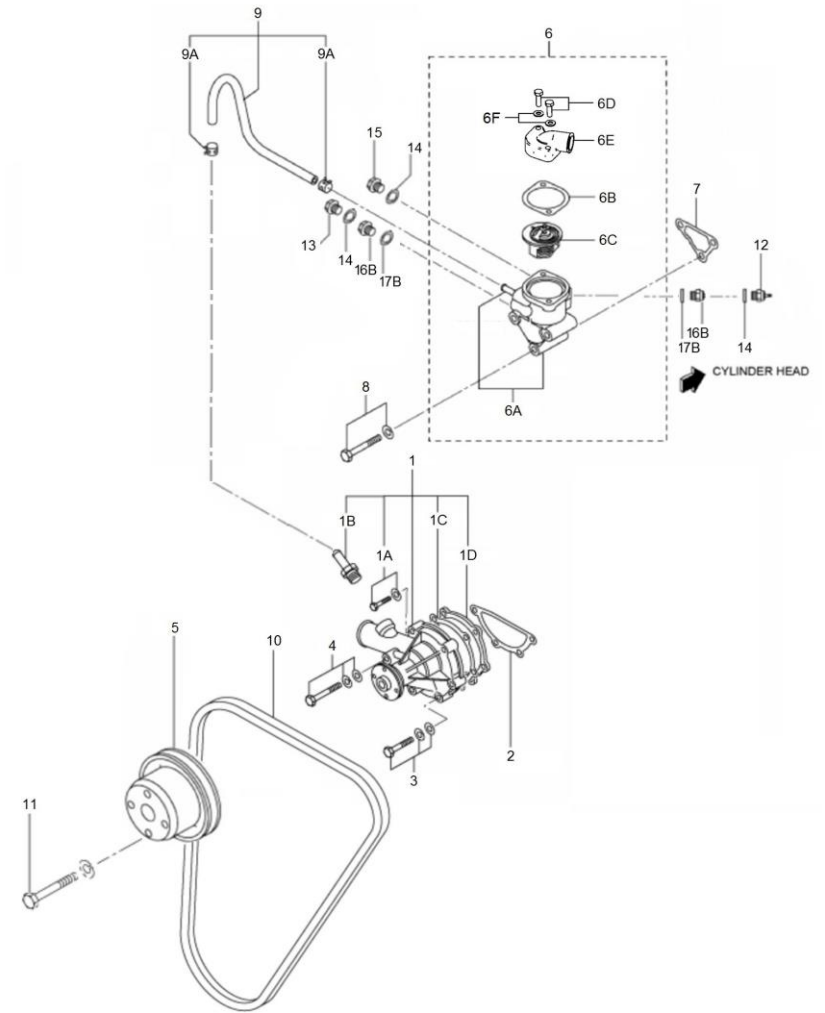


D_GD01_2_1		Inlet				
FIG.	REF.	QTY	DESCR.	FROM	UPTO	
1	17321030G	1	Cover Assy, Inlet			
2	17321032	1	Gasket, Inlet Cover			
3	17210020	1	Bend		08/12/2019	
3	17210020.1	1	Elbow, Air Filter	09/12/2019		
4	17221034	1	Gasket, Inlet Pipe		08/12/2019	
4	17321034.4	1	Pipe Inlet Gasket	09/12/2019		
5	17721011	8	Bolt,W/Washer			
6	17721012	2	Bolt,W/Washer		25/11/2021	
6	52102258	2	Bolt DIN 933 M8-25 8.8	26/11/2021		
7	13810074	1	Air Filter			
8	17310038	1	Inlet Flange	26/11/2021		
9	17321033	1	Inlet Pipe Gasket	26/11/2021		
10	53038008	2	Washer DIN 6798-A 8	26/11/2021		





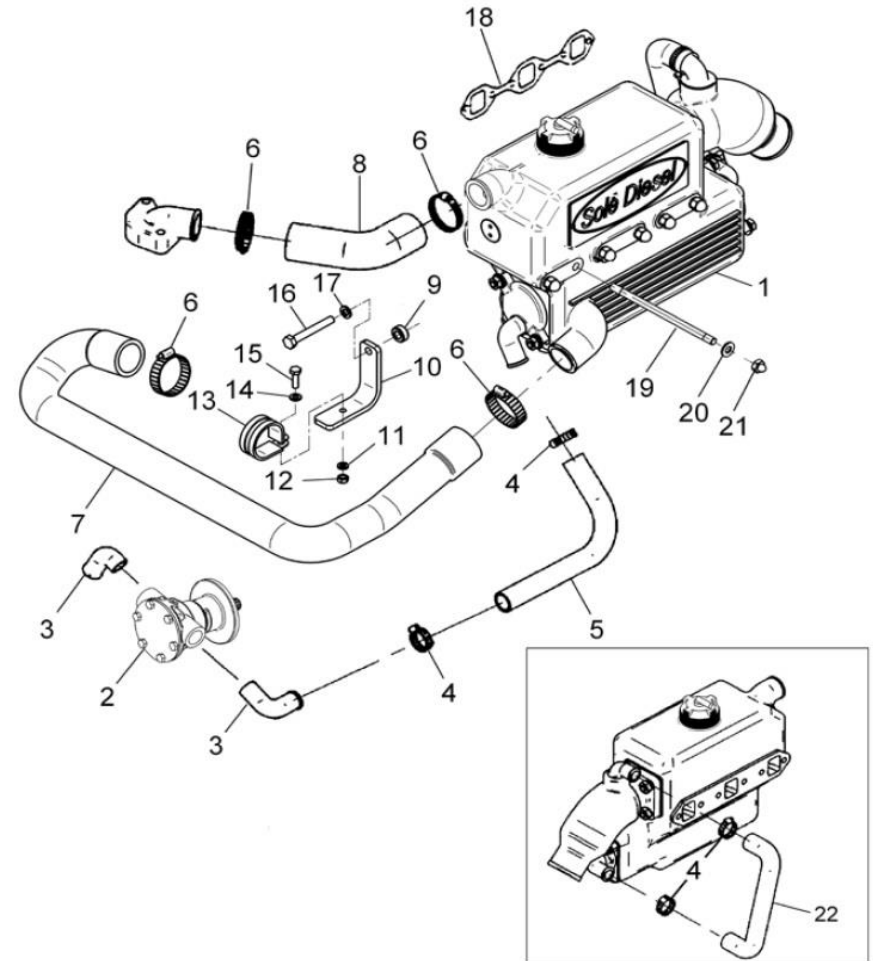
D_GD01_3_1		Water Pump				
FIG.	REF.	QTY	DESCR.	FROM	UPTO	
1	17221020	1	Fresh Water Pump			
1A	17321021	2	Bolt			
1B	13221026	1	NIPPLE Hose			
1C	13221041	1	Gasket Water Pump			
1D	13221042	1	Plate Water Pump			
2	13221022	1	Gasket Water Pump			
3	52101262	3	Bolt DIN 931 M8-45 8.8			
4	17201265	1	Bolt			
5	17221021	1	Pulley,Water Pump			
6	(*)	1	Not available [NP]			
6A	17221037	1	Assy Thermostat			
6B	17221031	1	Gasket,Thermostat			
6C	17221027	1	Thermostat			
6D	52101260	2	Bolt DIN 931 M8-35 8.8			
6E	17211020	2	Fitting, Water Outlet			
6F	53038008	2	Washer DIN 6798-A 8			
7	17221033	1	Gasket, Thermostat Case			
8	17420062G.1	3	Bolt,W/Washer (Generator)			
9	17221025	1	Hose Assy			
9A	17824029	2	Clip,Hose			
10	17221060G	1	V-Belt			
11	17302155	4	Bolt			
12A	60900070	1	Thermo-Switch 97°C			
<i>Figure A for Standard System</i>						
12B	60900973	1	High Coolant, 2 Poles 95° SG			
<i>Figure b for Parallel System</i>						
13	17121016	1	Plug, drain			
14	MH594601601	3	Washer [NP]			
15A	60900980	1	Temperature Sensor			
<i>Figure A for Standard System</i>						
15B	60900983	1	Bipolar Temperature Sender SG			
<i>Figure b for Parallel System</i>						
16B	60900999	2	Connection M14X1,5 5/8" EXA.22 L=22			
<i>Figure b for Parallel System</i>						
17B	56000073	2	Copper Washer 16-23-1,5			
<i>Figure b for Parallel System</i>						



[NP] Not provided

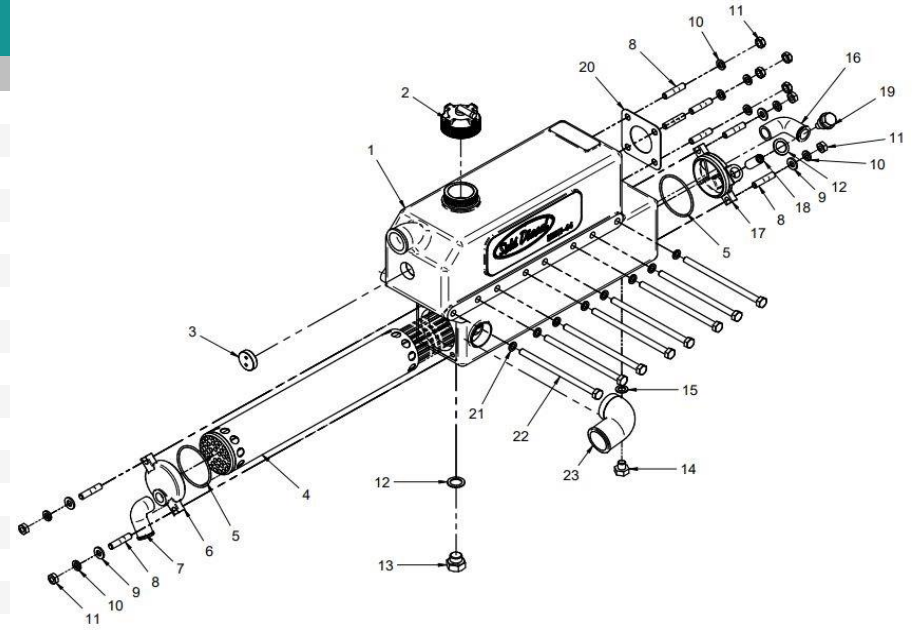


D_MID1_3_2		Cooler Pipes				
FIG.	REF.	QTY	DESCR.	FROM	UPTO	
1	17311002R	1	Water Cooler Assy MINI-44 (Spare Part)			
2	33811000	1	1/2" Pump Water, Set		24/01/2017	
2	37011200	1	Splined Pump 3/8" MINI-48 Gen-26/33/44		18/01/2017	
2	37611000	1	Splined Pump 1/2" MINI-11/17/29/33/44	25/01/2017		
3	13811027	2	Elbow 1/2"			
4	54081016	4	Clamp DIN 3017 16-27/9 W4	13/09/2017		
4	54081020	4	Clamp DIN 3017 20-32/9 W4		12/09/2017	
5	17011012	1	Elbow			
6	54082032	4	Clamp DIN 3017 32-50/12 W4			
7	17211006	1	Hose			
8	17211021	1	Elbow			
9	12117044	1	Spacer			
10	17211029	1	Bracket, Pipe			
11	53033006	1	Washer GROWER DIN 127-6			
12	52120006	1	Nut DIN 934 M6 8.8			
13	51071373	1	Clamp 31-40/15 W1			
14	51030006	1	Washer DIN 125-6			
15	52102157	1	Bolt DIN 933 M6-20 8.8			
16	52101265	1	Bolt DIN 931 M8-60 8.8			
17	53033008	1	Washer GROWER DIN 127-8			
18	17321035	1	Gasket			
19	17211015	8	MANIFOld MOUNTING Stud			
20	56000057	8	Washer 8-13-1,5			
21	55122008	8	Nut DIN 1587 M8			
22	17211034	1	Rubber WET Exhaust Inlet BEND			





D_17311002R		Water Cooler Assy MINI-44 v6 from to 27/11/2020			
FIG.	REF.	QTY	DESCR.	FROM	UPTO
1	17311003	1	Body, Water Cooler [NP]		
2	13811010	1	Cap		
3	12113092	1	Plug		
4	17011004	1	Tubular Bundle		
5	13811007	2	O-Ring D. 57X2,5		
6	13811002	1	Water Cooler Cover		
7	13211027	1	Water Inlet Bend		
8	13311006	8	Stud,cover		
9	51030008	4	Washer DIN 125-8		
10	53033008	8	Washer GROWER DIN 127-8		
11	54120008	8	Nut DIN 934 M8		
12	56000073	2	Copper Washer 16-23-1,5		
13	12111076	1	Plug		
14	54102306	1	Bolt DIN 933 M10-16 INOX.		
15	56000061	1	Washer 10-16-1,5		
16	13211035	1	Exhaust Manifold Outlet Bend		
17	17211042	1	Water Cooler Cover		
18	13811043	1	Engine Anode 29.5 mm M.8		
19	18011009	1	Anode Plug		
20	15113043	1	Exhaust Elbow Gasket		
21	56000057	8	Washer 8-13-1,5		
22	54101323	8	Bolt DIN 931 M8-140 Inox.		
23	17111011	1	Elbow 1 1/8"		
NS	17311040	1	MINI-44 Cooling Adhesive [NS]		

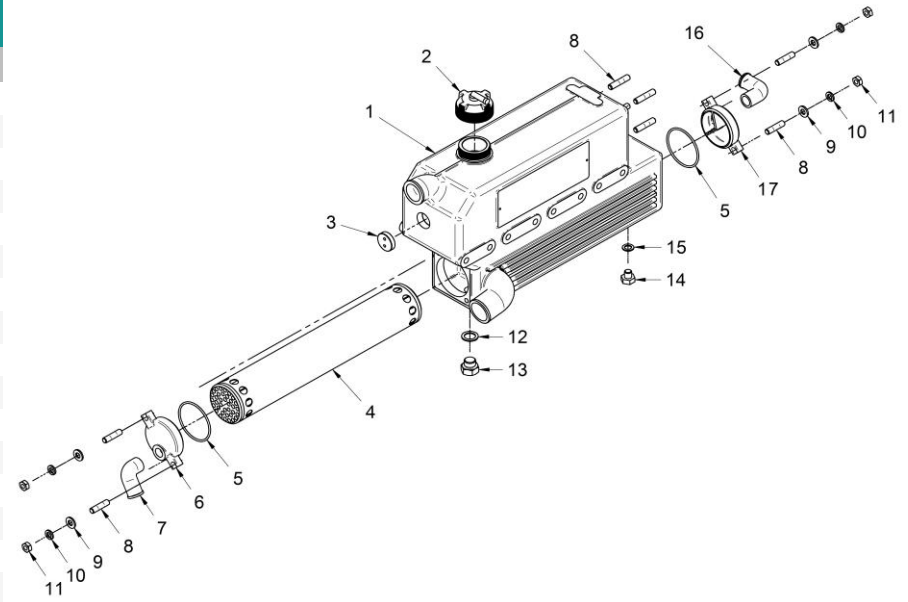


[NP] Not provided

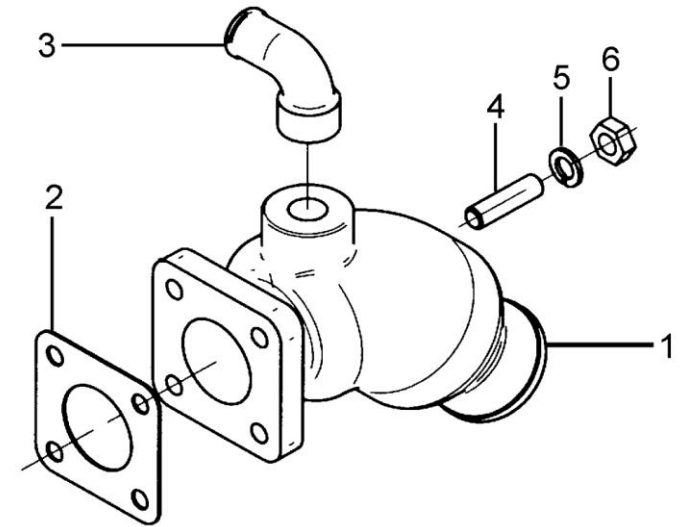
[NS] Not shown



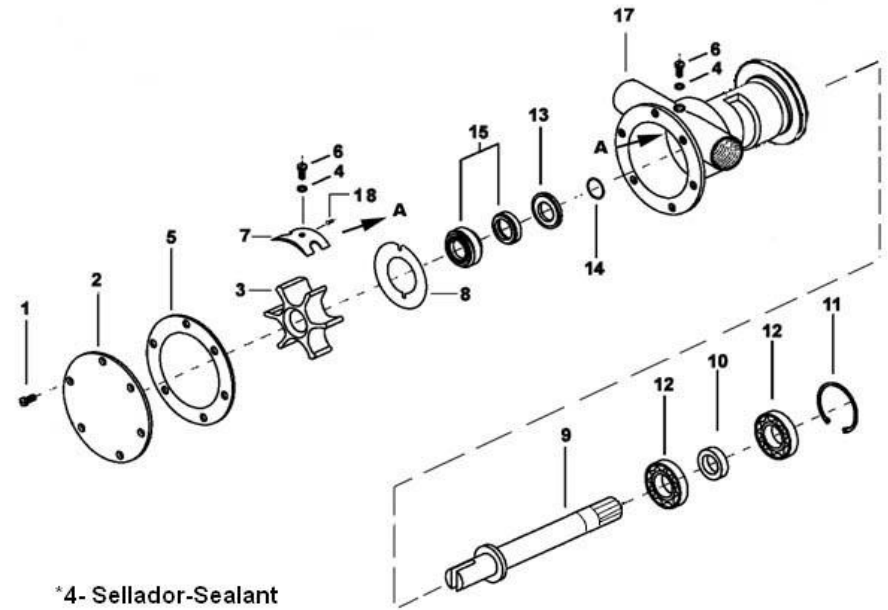
17311000 Water Cooler Assy MINI-44 up to 27/11/2020						
FIG.	REF.	QTY	DESCR.	FROM	UPTO	
1	17311001	1	Body, Water Cooler			
2	13811010	1	Cap			
3	12113092	1	Plug			
4	17011004	1	Tubular Bundle			
5	13811007	2	O-Ring D. 57X2,5			
6	13811002	1	Water Cooler Cover			
7	13211027	1	Water Inlet Bend			
8	13311006	8	Stud,cover			
9	51030008	4	Washer DIN 125-8			
10	53033008	4	Washer GROWER DIN 127-8			
11	54120008	4	Nut DIN 934 M8			
12	56000073	1	Copper Washer 16-23-1,5			
13	12111076	1	Plug			
14	54102306	1	Bolt DIN 933 M10-16 INOX.			
15	56000061	1	Washer 10-16-1,5			
16	13211035	1	Exhaust Manifold Outlet Bend			
17	17211042A	1	Cover,water cooler anode			



D_GC01_3_5		Wet Exhaust				
FIG.	REF.	QTY	DESCR.	FROM	UPTO	
1	17013015G	1	Elbow,WET Exhaust			
2	15113043	1	Exhaust Elbow Gasket			
3	17211028	1	Water Bend			
4	13311006	4	Stud,cover			
5	53033008	4	Washer GROWER DIN 127-8			
6	52120008	4	Nut DIN 934 M8 8.8			



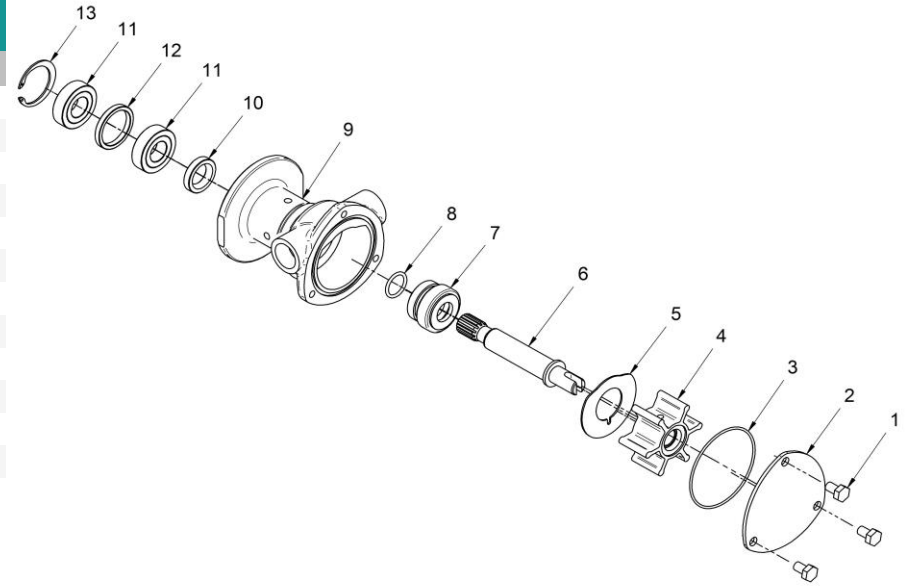
33811000		1/2" Pump Water, Set			
FIG.	REF.	QTY	DESCR.	FROM	UPTO
1	54102104	6	Bolt DIN 933 M5-10 INOX.		
2	31211002	1	Cover Pump		
3	31211008	1	1/2" Impeller		
5	31211003	1	Gasket Cover		
6	55307105	1	Bolt DIN 86 W3/16-13		
7	31211005	1	Cam		
8	33411026	1	Wearplate		
9	33811010	1	Shaft,Water Pump		
10	33811015	1	Spacer		
11	53041032	1	CIRClip DIN 472 I-32		
12	33411014	2	Ball Bearing 6002-C3		
13	33411020	1	Seal		
14	33311013	1	O-Ring D. 15X2		
15	33411019	1	Seal		
17	33811001	1	Body,Water Pump [NP]		
18	33411017	1	Pin,Dowel		



[NP] Not provided

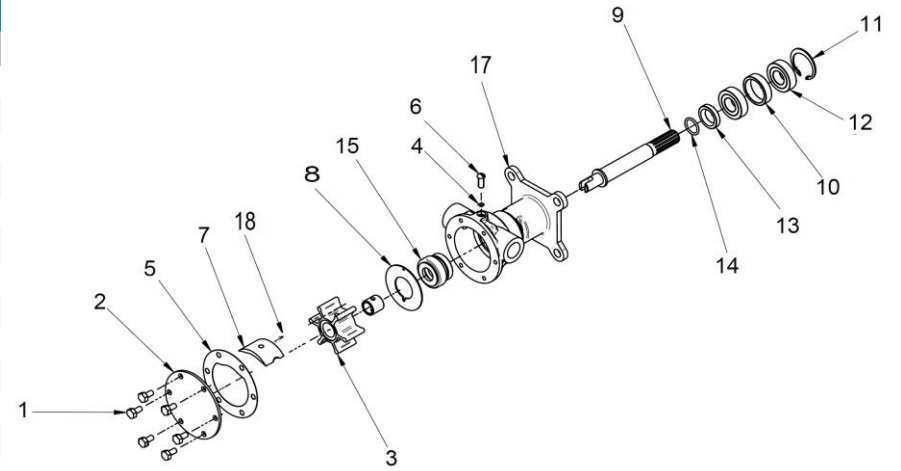


37611000		Splined Pump 1/2" MINI-11/17/29/33/44			
FIG.	REF.	QTY	DESCR.	FROM	UPTO
1	54102154	3	Bolt DIN 933 M6-10 INOX		
2	37611002	1	Cover Pump		
3	37611003	1	O-Ring D. 57x1,5		01/06/2022
4	31211008	1	1/2" Impeller		
5	37611026	1	Plate, Friction		
6	33811010	1	Shaft, Water Pump		
7	33411019	1	Seal		
8	33311013	1	O-Ring D. 15X2		
9	37611001	1	Body, Water Pump 1/2"		
10	33411020	1	Seal		
11	33411014	2	Ball Bearing 6002-C3		
12	33811015	1	Spacer		
13	53041032	1	CIRClip DIN 472 I-32		





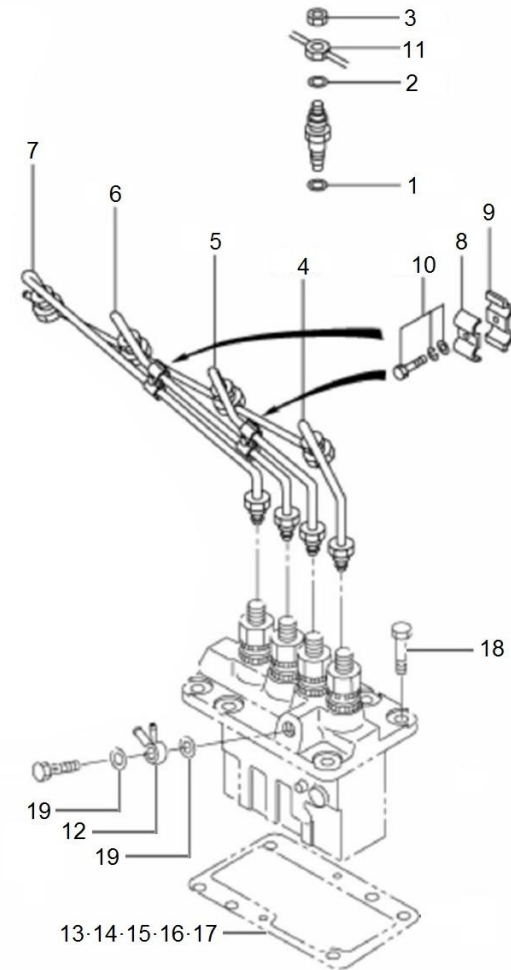
37011200		Splined Pump 3/8" MINI-48 Gen-26/33/44			
FIG.	REF.	QTY	DESCR.	FROM	UPTO
1	54102104	6	Bolt DIN 933 M5-10 INOX.		
2	31211002	1	Cover Pump		
3	31211008	1	1/2" Impeller		
5	31211003	1	Gasket Cover		
6	55307105	1	Bolt DIN 86 W3/16-13		
7	31211005	1	Cam		
8	33411026	1	Wearplate		
9	37011210	1	Shaft,water pump		
10	33411015	1	Spacer 32X26X8		
11	53041032	1	CIRClip DIN 472 I-32		
12	33411014	2	Ball Bearing 6002-C3		
13	33411020	1	Seal		
14	33311013	1	O-Ring D. 15X2		
15	33411019	1	Seal		
17	33411001	1	Body,Water Pump		
18	33411017	1	Pin,Dowel		



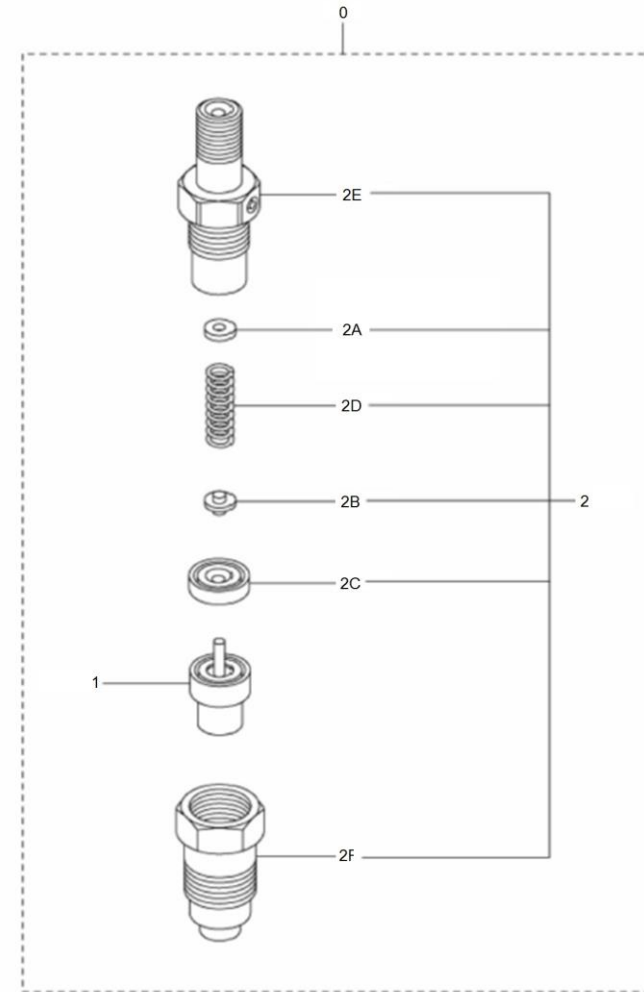
\*4 - Sellador - Sealant



D_GD01_4_1 Fuel Pipe						
FIG.	REF.	QTY	DESCR.	FROM	UPTO	
1	13824013	4	Injector Washer			
2	17424025G.1	4	Gasket Fuel Return (Genset)			
3	13824024	4	Nut			
4	17324015G	1	Pipe, Injection N°1 (Generator)			
5	17324016G	1	Pipe Injection N.2 (Genset)			
6	17324019G	1	Pipe Injection N.3 (GENGET)			
7	17324020G	1	Pipe Injection N.4 (Genset)			
8	17824011	2	Clamp			
9	17824012	2	Clamp			
10	17524025	2	Bolt,W/Washer			
11	17324002G	1	Pipe, Fuel Leak OFF (Generator)			
12	17324017G	1	Color, Union			
13	13224008	1	Shim Adjusting T=0,7mm			
14	13224009	1	Shim Adjusting T=0,8mm			
15	13224010	1	Shim Adjusting T=0,9mm			
16	13224011	1	Shim Adjusting T=1,0mm			
17	13224003	1	Shim Adjusting T=0,2mm			
18	52102257	6	Bolt DIN 933 M8-20 8.8			
19	13224001	2	Washer			

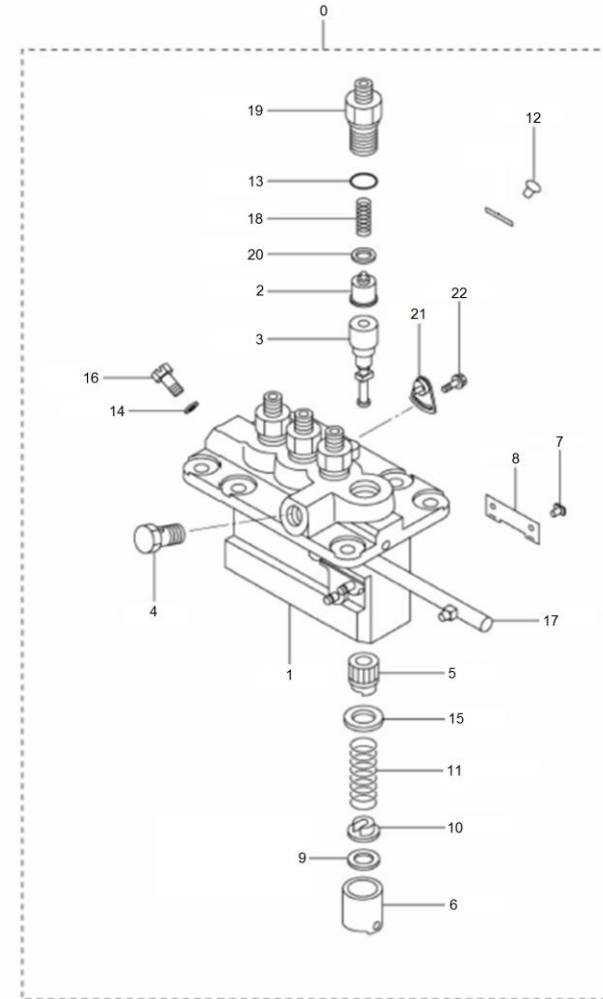


D_GD01_4_2		Injection Nozzle				
FIG.	REF.	QTY	DESCR.	FROM	UPTO	
0	13826001	4	Nozzle & Holder A			
1	13826018	4	Nozzle Assy			
2	17426003	4	Fuel Injector [NP]			
2AA	13826010	4	Washer 1,25			
2AB	13826011	4	Washer 1,30			
2AC	13826012	4	Washer 1,35			
2AD	13826013	4	Washer 1,40			
2AE	13826014	4	Washer 1,45 [NP]			
2AF	13826015	4	Washer 1,50			
2AG	13826016	4	Washer 1,55			
2AH	13826017	4	Washer 1,60			
2AI	13826019	4	Washer 1,65			
2AJ	13826020	4	Washer 1,70			
2B	13826003	4	Pin Pressure			
2C	13826007	4	PIECE DISTANCE			
2D	17226004	4	Spring, Pressure [NP]			
2E	13826002	4	Body Assy			
2F	17226009	4	Nut			



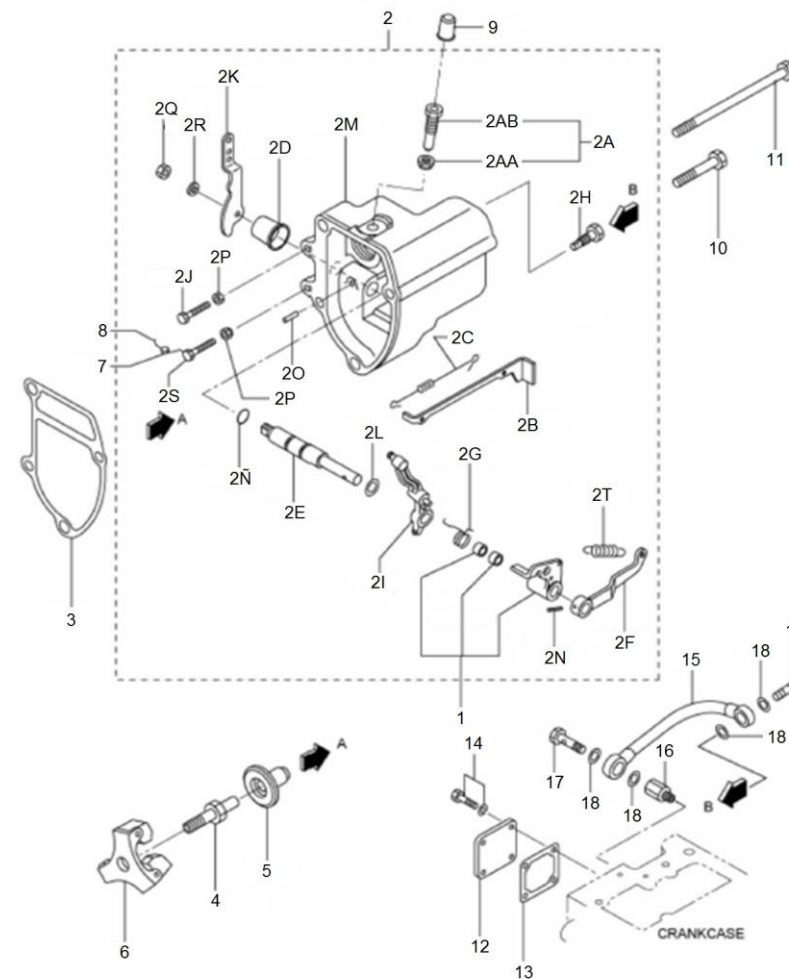
[NP] Not provided

D_GD01_4_3		Fuel Injection Pump				
FIG.	REF.	QTY	DESCR.	FROM	UPTO	
0	17325001G	1	Pump Assy, Fuel INJEC.(Generator)			
1	17325005G	1	Housing SUB Assy			
2	17225009G	4	Element SUB Assy (Generator)			
3	17325008G	4	Valve SUB Assy (Generator)			
4	17325027.1	1	Screw,HOLLOW			
5	13125010	4	SLEEVE			
6	13125021	4	Tappet SUB Assy			
7	13125022	4	Pin Tappet Guide			
8	13125023	2	Plate			
9A	13125014	4	Shim T=0,60			
9B	13125015	4	Shim T=0,2			
9C	13125016	4	Shim Adjusting T=0,3			
9D	17325016	4	Shim Adjusting T=0,40MM [NP]			
9E	17325017	4	Shim Adjusting T=0,50MM [NP]			
9F	17325018	4	Shim Adjusting T=0,25MM [NP]			
9G	17325019	4	Shim Adjusting T=0,35MM [NP]			
9H	13725021	4	Shim Adjusting T=0,45MM.			
9I	13725022	4	Shim Adjusting T=0,55MM.			
9J	13725023	4	Shim Adjusting T=0,65MM.			
10	13125013	4	Seat Spring LOWER			
11	13125012	4	Spring Plunger			
12	13125003	2	RIVET [NP]			
13	13125033	4	O-Ring D. 15X2,5			
14	17225025.3	1	Washer DRAIN Screw			
15	13125011	4	Seat Spring Upper			
16	17225026.3	1	Screw Air BLEEDER			
17	17025006	1	RACK Control			
18	17225002	4	Spring DELIVERY Valve			
19	13125004	4	Holder DELIVERY V			
20	13125007	4	Gasket DELIVERY V			
21	13125030	3	Plate Assy Pressure			
22	17225028	3	Bolt, With Washer			



[NP] Not provided

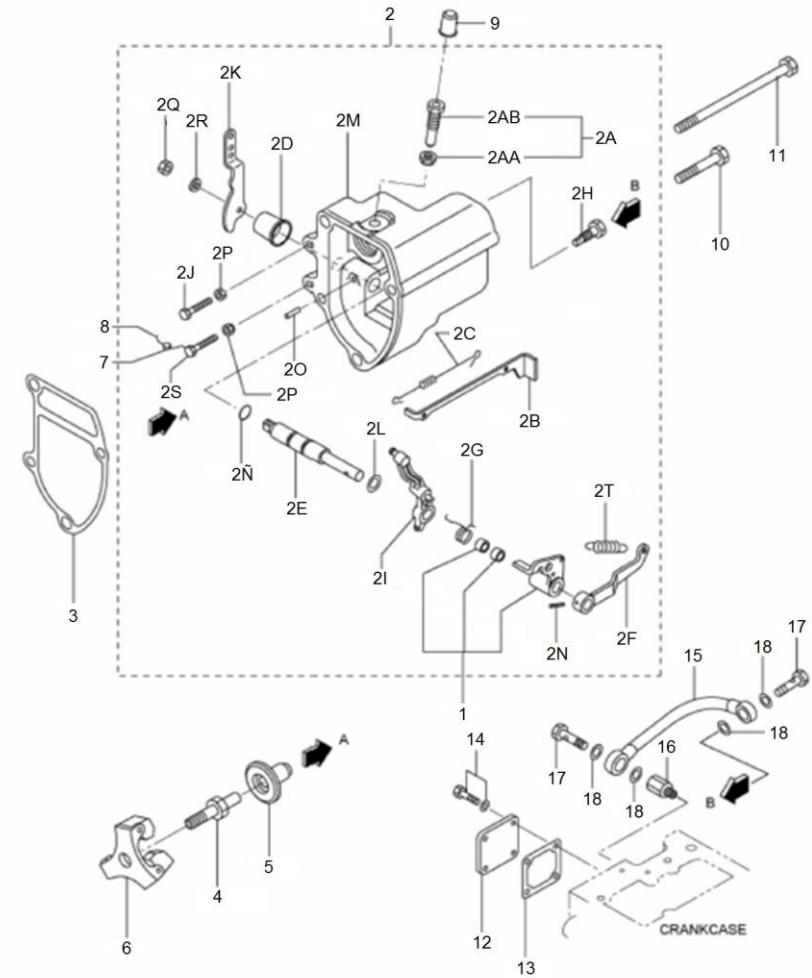
D_GD01_4_4		Governor Parts			
FIG.	REF.	QTY	DESCR.	FROM	UPTO
1	17223029	1	Lever Assy		
2	17323000G	1	CASSE Assy, GOVerNOR (Generator)		
2A	(*)	1	Not available [NP]		
2AA	17223035	1	Nut		
2AB	13823034	1	RACK Set Screw (new)		
2B	17323048.4	1	Lever TIE-ROD		
2C	17323049	1	Spring TIE-ROD		
2D	17223036	1	Cover, Governor		
2E	17223006	1	Shaft, GOVerNOR		
2F	17223003	1	Lever, Governor		
2G	17223028	1	Spring		
2H	17222020	1	Bolt		
2I	17223007G	1	Lever, GOVerNOR (Generator)		
2J	17223025	1	Bolt Low Idle Set		
2K	17323008	1	Lever, SPEED Control		
2L	17323047.4	1	Shim, Governor Shaft		
2M	17323019	1	Case, Governor		
2N	17223009	1	Pin, Spring		
2Ñ	17223046	1	O-Ring D. 10X2,5		
2O	13123009	1	Pin GROOVED		
2P	17223032	2	Nut		
2Q	17223030	1	Nut		
2R	53033008	1	Washer GROWER DIN 127-8		
2S	17223017	1	Bolt		
2T	60530033	1	Spring,governor		
3	17223033	1	Gasket, Governor Case		
4	17223050	1	Shaft, SLIDING SLEEVE		
5	17223031G	1	SLEEVE, SLIDING (Generator)		
6	17223001G	1	WEIGHT Assy,GOVerNOR (Generator)		
7	13123020	1	Shutter		
8	13123019	1	Metal Sealing		
9	13823042	1	Cap TORQUE Set SE		
10	17220034	3	Bolt		
11	17723043	1	Bolt,GOVerNOR Case		
12	17223043	1	Cover TIE-ROD		



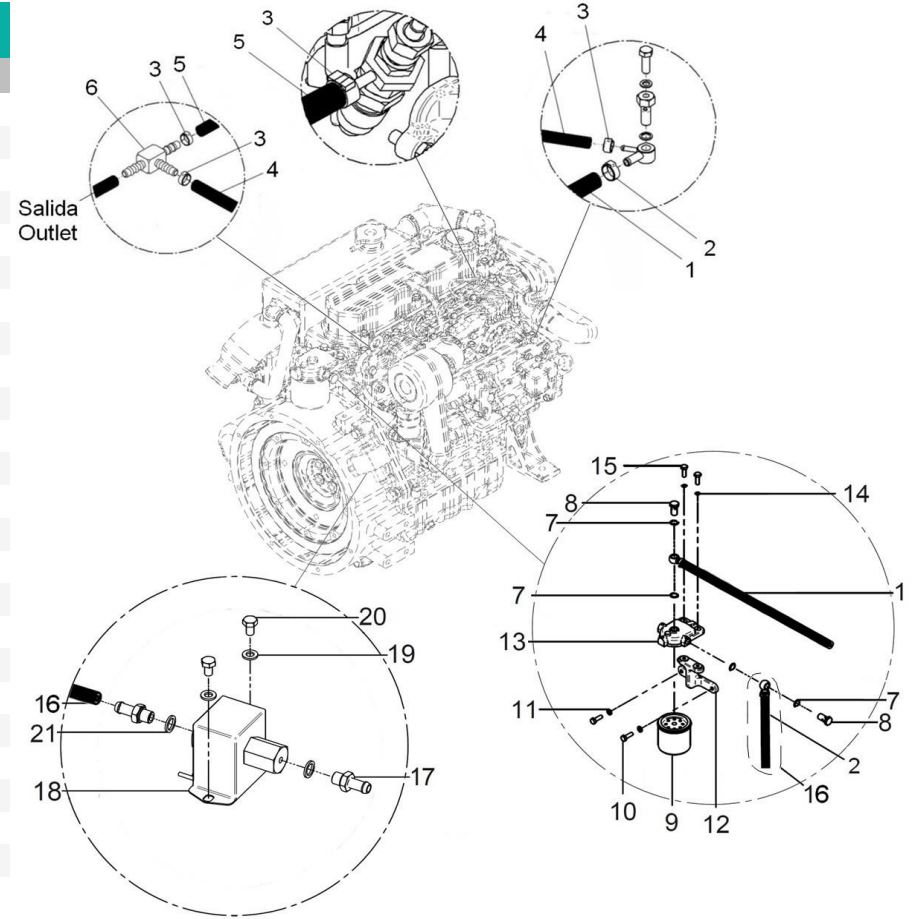
[NP] Not provided



D_GD01_4_4		Governor Parts			
FIG.	REF.	QTY	DESCR.	FROM	UPTO
13	13223014	1	Gasket Cover		
14	13802156	4	Bolt		
15	17224004G	1	Pipe,Oil		
16A	17322022	1	Adapter		
<i>Figure A for Standard System</i>					
16B	17322029	1	Adapter		
<i>Figure b for Parallel System</i>					
17A	17322020	2	VIS		
<i>Figure A for Standard System</i>					
17B	17322028	1	BOLT, EYE		
<i>Figure b for Parallel System</i>					
18	17322021	4	Gasket		

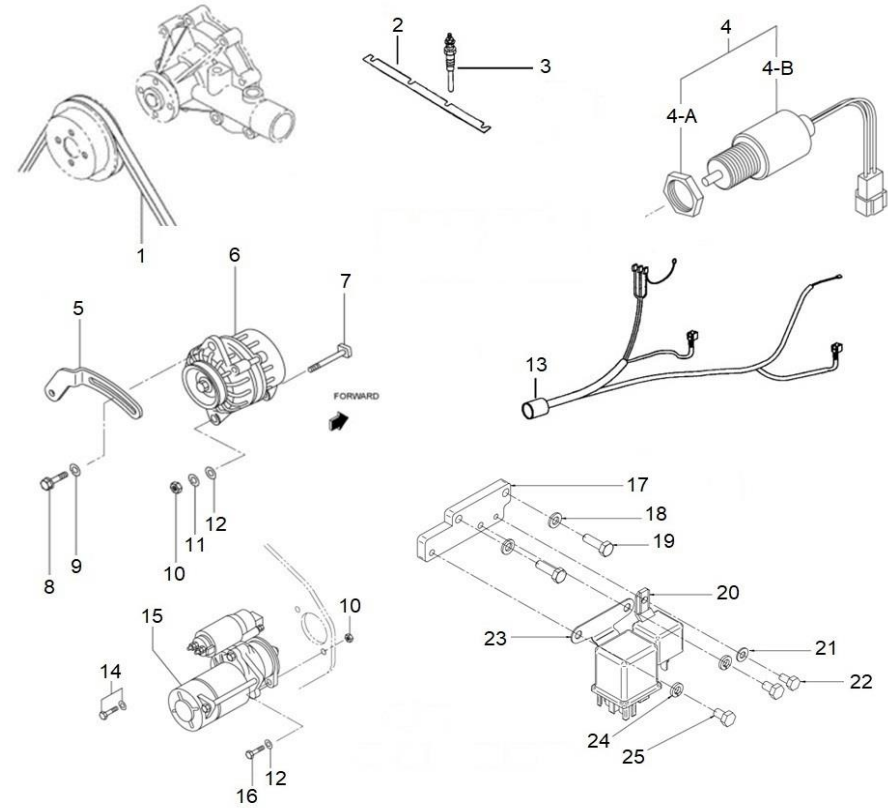


D_GC01_4_5		Fuel Supply Parts			
FIG.	REF.	QTY	DESCR.	FROM	UPTO
1	17614027	1	Hose		
2	51086016	2	ONE EAR Clamp With INTERIOR Ring 14-16,3		
3	51086010	4	One Ear Clamp With Interior Ring 10-11,5		
4	17214027	1	0,39 M. Hose		
5	17614026	1	0,04 M. Hose		
6	17614028	1	Bypass "T"		
7	57000369	4	Washer 14,2-20-1,5		
8	12814051	3	Screw,eye		
9	13114022	1	Fuel Filter Element from MINI 10 to 55		
10	52102257	2	Bolt DIN 933 M8-20 8.8		
11	53033008	2	Washer GROWER DIN 127-8		
12	17214001	1	Bracket, gasoil Filter		
13	13114020	1	Cover,filter		
14	51031008	2	Washer DIN 9021 8		
15	52102258	2	Bolt DIN 933 M8-25 8.8		
16	13814017.5	1	Fuel Pump Hose		
17	13814072	2	Straight Hose Connector 1/8" NPTF		
18A	13814070	1	Electric Fuel Feed Pump 12V		
<i>Figure A for 12V System</i>					
18B	19014070	1	Pump 24V.		
<i>Figure b for 24V System</i>					
19	51030006	2	Washer DIN 125-6		
20	52102154	2	Bolt DIN 933 M6-10 8.8		
21	57000361	2	Washer 10-14-1,5		



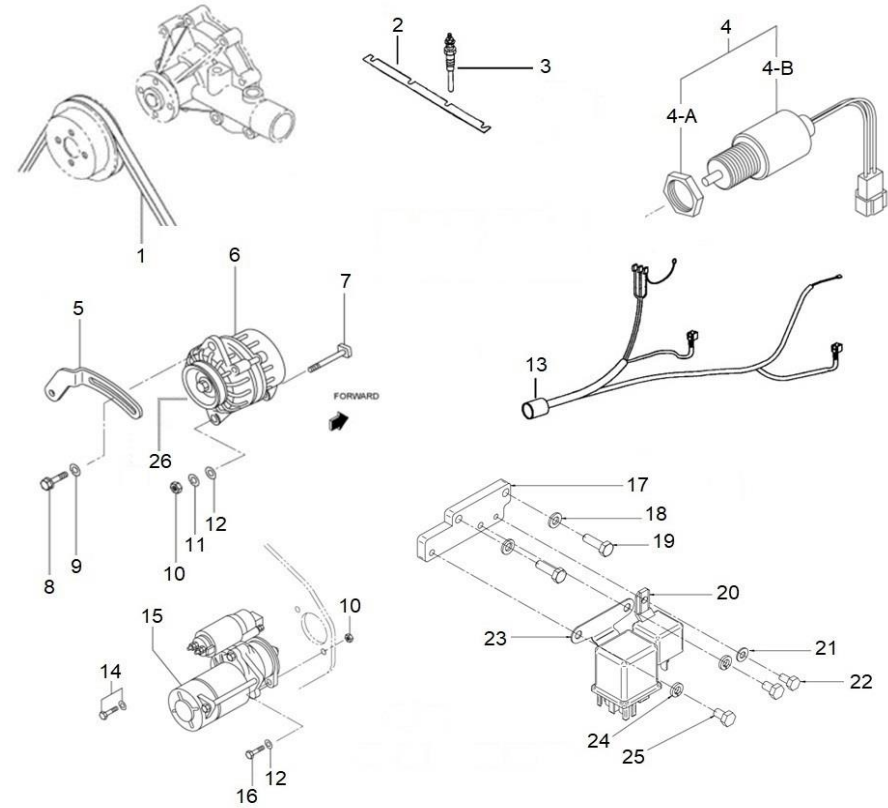


D_MI44GSTST_05_1 Electrical System 12V						
FIG.	REF.	QTY	DESCR.	FROM	UPTO	
1	17221060G	1	V-Belt			
2	17327018	1	Plate, Connection			
3	17127017	4	Plug, glow			
4	17324026G	1	SOLENOID, Assy			
4A	17225029.4	1	Nut			
4B	17324025G	1	SOLENOID			
5	17227007	1	Plate			
6	17227010	1	Alternator 12V/50A			
7	17227070	1	Bolt, Alternator			
8	13827012	1	Bolt			
9	17331008	1	Washer			
10	17827003	1	Nut			
11	53033010	1	Washer GROWER DIN 127-10			
12	51030010	1	Washer DIN 125-10			
13	60972502	1	Genset Electrical Wiring MINI-33/44			
14	17327129.2	1	Bolt			
15	17327001	1	Starter Assy 12 V			
16	17327130.2	1	Bolt, Starter			
17	17217001G	1	Support, Relay			
18	53033006	2	Washer GROWER DIN 127-6			
19	52102157	2	Bolt DIN 933 M6-20 8.8			
20	18217005	1	Relay 12V 12-100			
21	51030005	1	Washer DIN 125-5			
22	54102103	1	Bolt DIN 933 M5-8 INOX.			
23	13827005	1	Glow Relay			
24	51030006	2	Washer DIN 125-6			
25	52102155	2	Bolt DIN 933 M6-12 8.8			





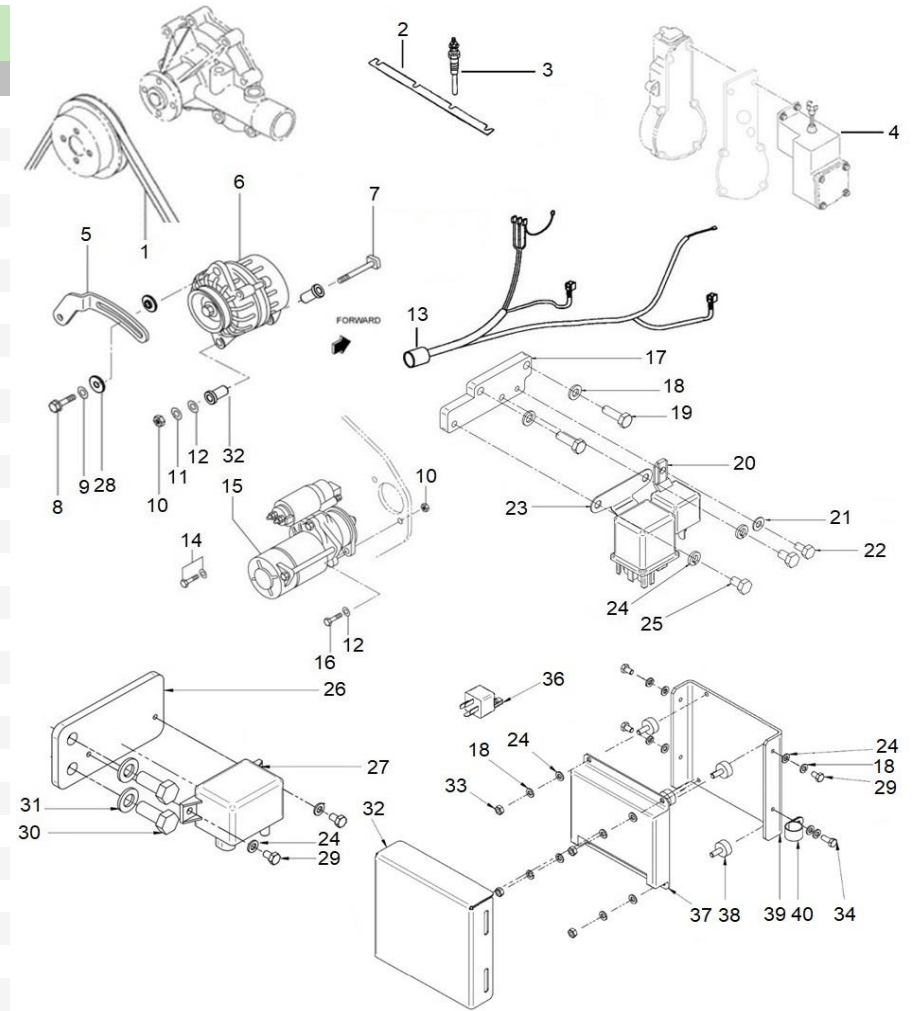
D_MI44GSTST_05_2 Electrical System 24V						
FIG.	REF.	QTY	DESCR.	FROM	UPTO	
1	17021028	1	Belt Type SPZX 987			
2	17327018	1	Plate, Connection			
3	17227017.2	4	Glow Plug 24V			
4	13824025.2G	1	Stop SOLENOID 24V-ETR			
4A	17225029.4	1	Nut			
4B	17324025G	1	SOLENOID			
5	17227007.1	1	Plate			
6	17417024	1	Alternator 28V/55A			
7	17227070	1	Bolt, Alternator			
8	13827012	1	Bolt			
9	17331008	1	Washer			
10	17827003	1	Nut			
11	53033010	1	Washer GROWER DIN 127-10			
12	51030010	1	Washer DIN 125-10			
13	60972502	1	Genset Electrical Wiring MINI-33/44			
14	17327129.2	1	Bolt			
15	17327001.2	1	Starter Assy 24V			
16	17327130.2	1	Bolt, Starter			
17	17217001G	1	Support, Relay			
18	53033006	2	Washer GROWER DIN 127-6			
19	52102157	2	Bolt DIN 933 M6-20 8.8			
20	17417005	1	Relay 24V 24-100			
21	51030005	1	Washer DIN 125-5			
22	54102103	1	Bolt DIN 933 M5-8 INOX.			
23	17527006	1	Glow Relay 24V			
24	51030006	2	Washer DIN 125-6			
25	52102155	2	Bolt DIN 933 M6-12 8.8			
26	17617003	1	Pulley Alternator			







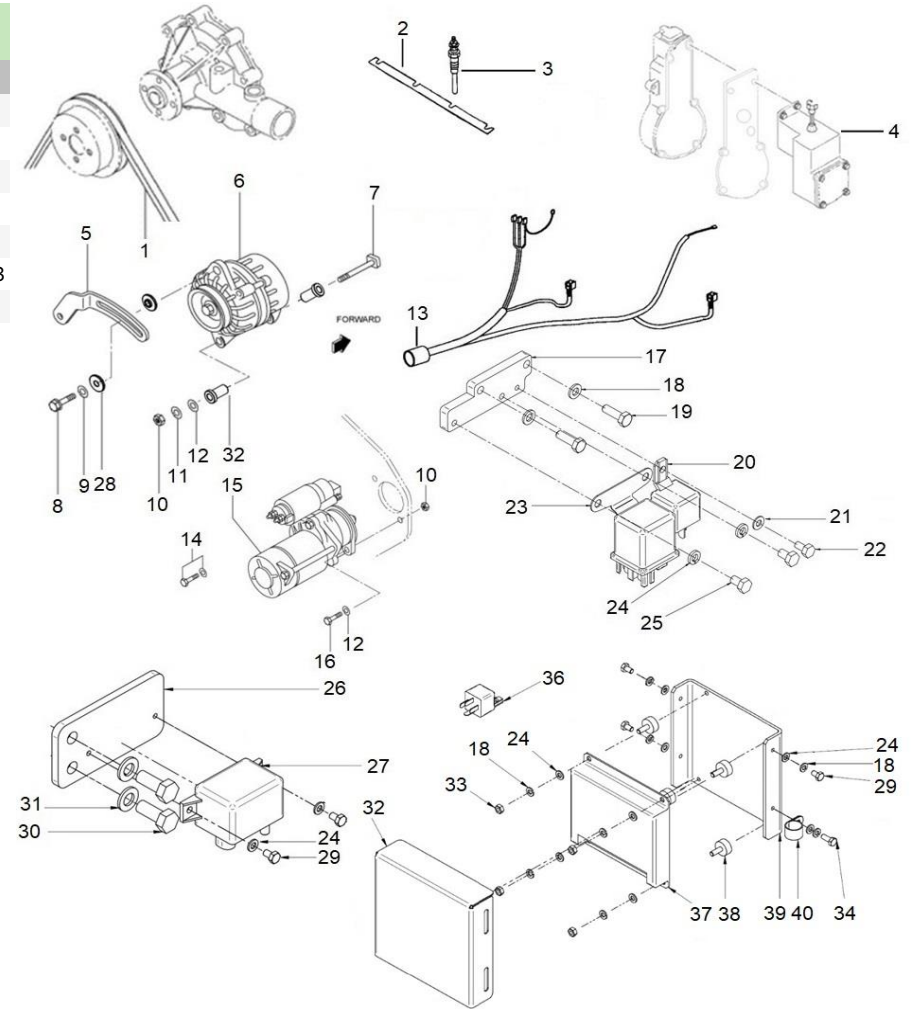
D_MI44GSTST_05_3		Parallel Electrical System 12V			
FIG.	REF.	QTY	DESCR.	FROM	UPTO
1	17221060G	1	V-Belt		
2	17327018	1	Plate, Connection		
3	17127017	4	Plug, glow		
4	60972524	1	GAC Actuator L2E,L3E,S3L,S3L2,S4L,S4L2		
5	17227007	1	Plate		
6	17227010	1	Alternator 12V/50A		
7	17227070	1	Bolt, Alternator		
8	13827012	1	Bolt		
9	17331008	1	Washer		
10	17827003	1	Nut		
11	53033010	1	Washer GROWER DIN 127-10		
12	51030010	1	Washer DIN 125-10		
13	60972507	1	MINI-33/44 G. E. Wiring Earth Isolated		
14	17327129.2	1	Bolt		
15	17327001	1	Starter Assy 12 V		
16	17327130.2	1	Bolt, Starter		
17	17217001G	1	Support, Relay		
18	53033006	10	Washer GROWER DIN 127-6		
19	52102157	2	Bolt DIN 933 M6-20 8.8		
20	18217005	1	Relay 12V 12-100		
21	51030005	1	Washer DIN 125-5		
22	54102103	1	Bolt DIN 933 M5-8 INOX.		
23	13827005	1	Glow Relay		
24	51030006	12	Washer DIN 125-6		
25	52102155	2	Bolt DIN 933 M6-12 8.8		
26	17317003	1	Support, Relay		
27	19017113	1	Relay 12V Earth Isolated Nagares		
28	17217012	2	Tensor Bakelite Bushing		
29	52102154	5	Bolt DIN 933 M6-10 8.8		
30	52202359	2	Bolt DIN 933 M12-1,25-30 8.8		
31	51030012	2	Washer DIN 125-12		
32	17217011	2	Bracket Bakelite Bushing		
32	17317008	1	Parallel electronic unit cover		
33	52120006	4	Nut DIN 934 M6 8.8		
34	52102156	1	Bolt DIN 933 M6-16 8.8		



[NS] Not shown



D_MI44GSTST_05_3		Parallel Electrical System 12V			
FIG.	REF.	QTY	DESCR.	FROM	UPTO
36	63900028	1	Relay 12V 20/30A NO+NC		
37	60972525	1	Speed Control Unit G.A.C 5100 Low Inter.		
38	17A14009	4	Anti Vibration Mount M6		
39	17317007	1	Electronic Unit Bracket		
40	59071224	1	Clamp RSGU 1 22/15 W1		
NS	<a href="#">60974205</a>	1	<a href="#">35 GT/GTC Parallel Auxiliary Installation Mitsubishi Models</a> [NS]		31/05/2023
NS	<a href="#">60974229</a>	1	<a href="#">Auxiliary Installation Parallel Genset</a> [NS]	01/06/2023	

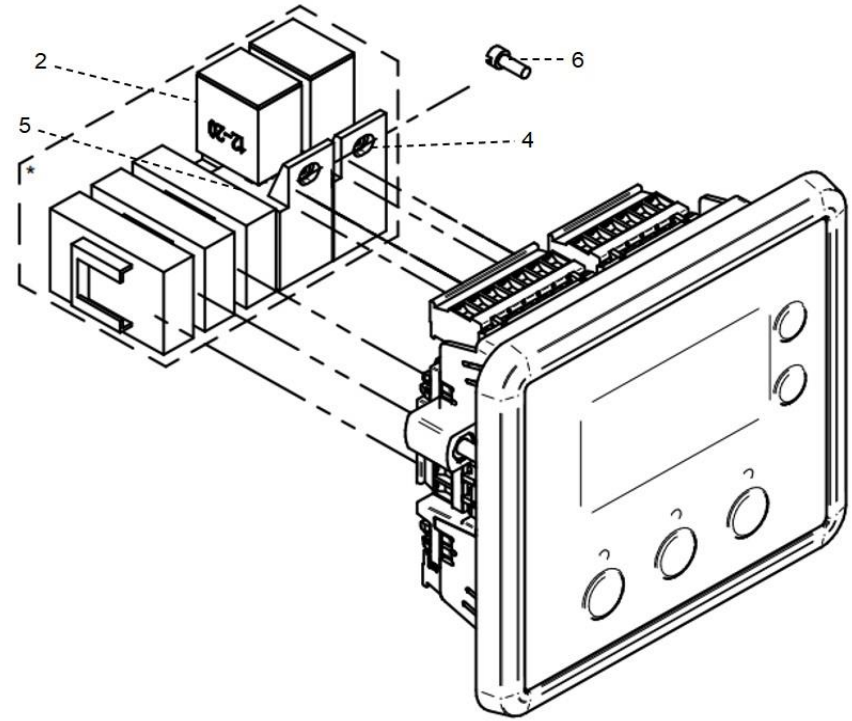




D_MI44GSTST_05_5 Panels for Genset						
FIG.	REF.	QTY	DESCR.	FROM	UPTO	
1A	61973230TS	1	Panel SCO 5 17 GTC 12V 230V			
1A	61973240.18S	1	Panel SCO 5 17 GSAC 12V 240V			
1B	61973400S	1	Panel SCO 5 17 GTC 12V 400/230V			
1C	61973400.2S	1	Panel SCO 5 17 GTC 24V 400/230V			
1D	61973240T.18S	1	Panel SCO 5 20 GTAC 12V 240V			
1E	61973480.18S	1	Panel SCO 5 20 GTAC 12V 480/277V			
1F	61973480.18.2S	1	Panel SCO 5 20 GTAC 24V 480/277V			
1G	61973230S	1	Panel SCO 5 14 GSC 12V 230V			
1H	61973230.2S	1	Panel SCO 5 14 GSC 24V 230V			



D_PANELGRUP02_01 Panel Components for Genset						
FIG.	REF.	QTY	DESCR.	FROM	UPTO	
2A	60900091	4	MICRO Relay 12V 12-20			
<i>Figure A for 12V System</i>						
2B	60900092	4	MICRO Relay 24V 24-10			
<i>Figure b for 24V System</i>						
4	51030005	2	Washer DIN 125-5			
5	61900001	1	Rail Guide For Modular Micro Relay Holder - Fusible Holder		29/03/2023	
5	61900002	1	Rail Guide For Modular Micro Relay Holder - Fusible F		29/03/2023	
6	51918054	2	Bolt DIN 7981C 3,5-9,5			
NS	60972112	1	Wiring BRIDGE MONOF. Panel COMAP [NS]			
NS	60972123	1	Electrical System Back Panel SCO 5 [NS]			
NS	61972124	1	SCO 5 Panel Screw Bracket [NS]			



[NS] Not shown

D_MI44GSTST_05_7		Electrical Box for Parallel				
FIG.	REF.	QTY	DESCR.	FROM	UPTO	
1A	60973518	1	Parallel Kit 17 GT 230V Control and Power 12V			
1B	60973514	1	Parallel Kit 17 GT 400 / 230V Control And Power 12V			
1C	60973507	1	Parallel Kit 14 GS 230V Control and Power 12V			
1D	60973521	1	Kit Parallel 17 GSA/GSAC 240V Control/Pow			
1E	60973523	1	Parallel Kit 20 GTA 240V Control And Power 12V			





D_W1C1_1_1		Genset Extension				
FIG.	REF.	QTY	DESCR.	FROM	UPTO	
1A	60938210I	1	Genset Wiring Ext. 3 M. CPC			
1B	60985210I	1	Genset Wiring Ext. 4 M. CPC			
1C	60938221	1	Genset Wiring Ext. 6 M. CPC			
1D	60938212	1	Genset Wiring Ext. 8 M. CPC			
1E	60985210.12I	1	Genset Wiring Ext. 12 M. CPC			
1F	60985210.18I	1	Genset Wiring Ext. 18 M. CPC			
1G	60985210.24I	1	Genset Wiring Ext. 24 M. CPC			
1H	60985210.30I	1	Genset Wiring Ext. 30 M. CPC			
1I	60974552	1	3-way Wiring Wxtension for Auxiliary Kits 4 m			
1J	60900165	1	3-way Wiring Extension for Auxiliary Kits 6 m			
1K	60900166	1	3-way Wiring Extension for Auxiliary Kits 12 m			
1L	60900167	1	3-way Wiring Extension for Auxiliary Kits 24 m			
1M	60972104	1	Double Panel SCO 12 M. Harness			
1N	60972105	1	Double Panel SCO 24 M. Harness			
1O	60972110	1	Double Panel SCO 36 M. Harness			
1P	60972145	1	Double Panel SCO 45 M. Harness			





D_W1C1_1_2		Parallel Genset Extension				
FIG.	REF.	QTY	DESCR.	FROM	UPTO	
1A	6097A223	1	Wiring extensions Electronic Actuator Genset Mitsubi:	01/06/2023		
1B	6097A224	1	Wiring extensions Electronic Actuator Genset Mitsubi:	01/06/2023		
1C	6097A221	1	Wiring Extension for Mitsubishi Parallel Control and P	01/06/2023		
1D	6097A222	1	Wiring Extension for Mitsubishi Parallel Control and P	01/06/2023		
1E	60974221	1	Wiring Extension 25/35/50/68 GT 6 m Electronic Actuator for SCO		31/05/2023	
1F	60974219	1	Wiring Extension 25/35/50/68 GT 12 m Electronic Actuator for SC		31/05/2023	
1G	60974206	1	Wir.Ext. 25/35/50/68 GT Prep. Paral.6M		31/05/2023	
1H	60974207	1	Wir.Ext. 25/35/50/68 GT Prep. Paral.12M		31/05/2023	

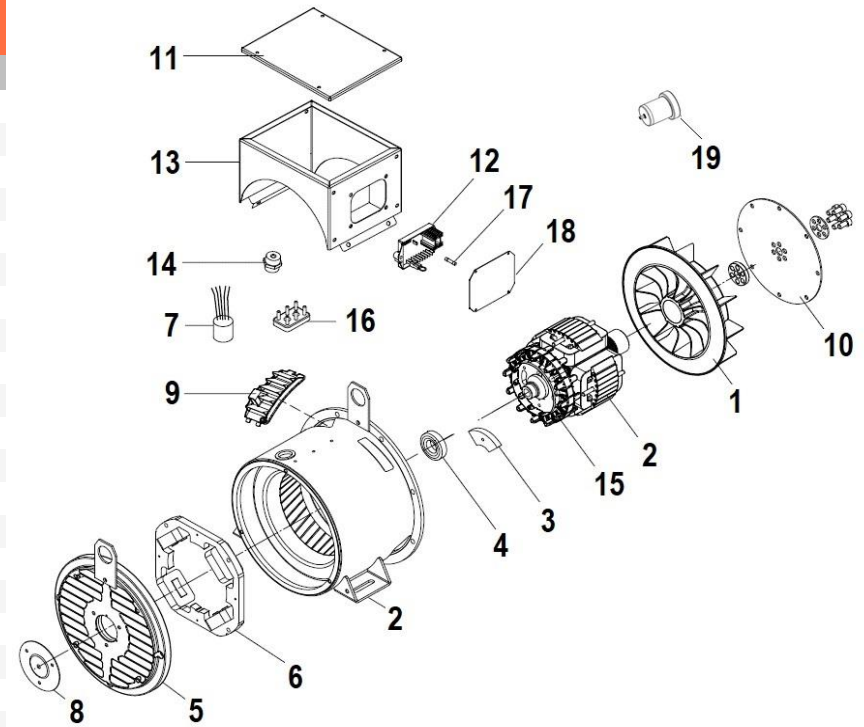


D_MI44GSST_06_1		Alternator 14 GS/GSC Y 17 GSA/GSAC			
FIG.	REF.	QTY	DESCR.	FROM	UPTO
1A	60511116SRC	1	AI.SINCRO   16,5KVA 1500RPM 230V (RC)		
1B	60511116SRS	1	AI.SINCRO   16,5KVA 1500RPM 230V (RS)		
1C	60511122SRC	1	AI.SINCRO   20KVA 1800RPM 240V (RC)		
1D	60511122SRS	1	AI.SINCRO   20KVA 1800RPM 240V (RS)		



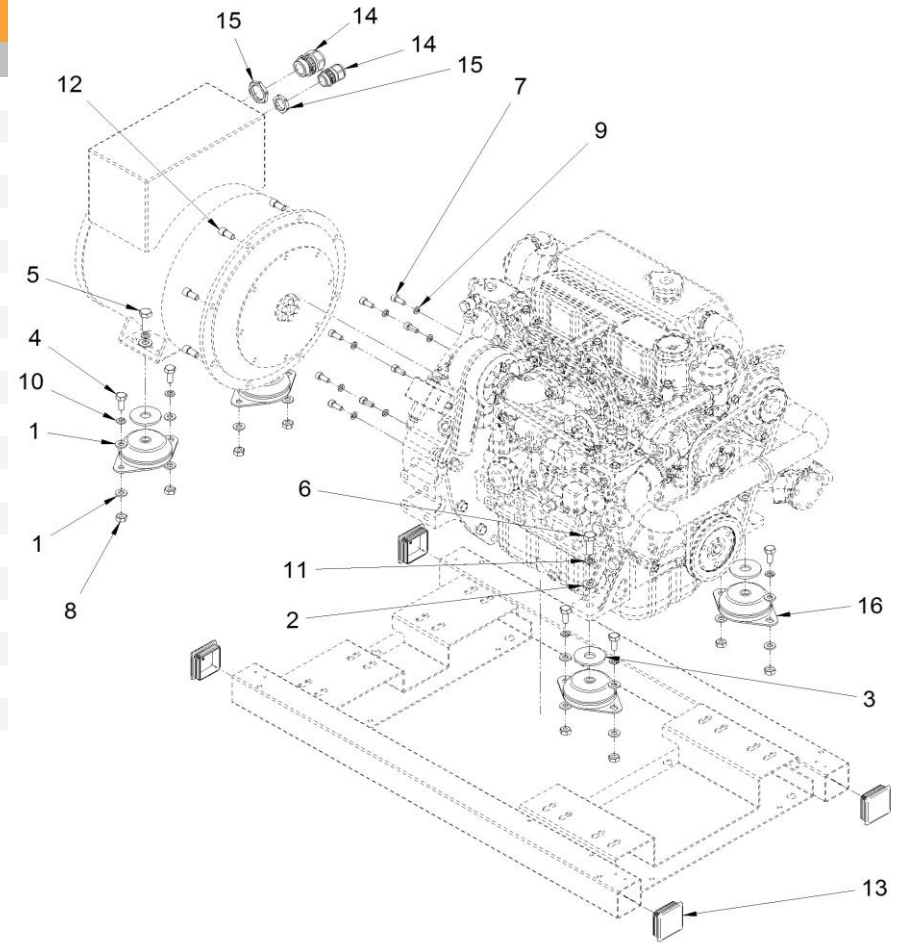


D_60511116S		Alt.SINCRO I 16,5KVA 1500RPM 230V			
FIG.	REF.	QTY	DESCR.	FROM	UPTO
0	60511116SRC	1	Alt.SINCRO I 16,5KVA 1500RPM 230V (RC)		
0	60511116SRS	1	Alt.SINCRO I 16,5KVA 1500RPM 230V (RS)		
1	60511317S.1	1	Fan SK160M- 4P		
2	(*)	1	Not available [NP]		
3	60574340.10	1	Diode Bridge SK160-S/C/L/M		
4	60511325S.1	1	Bearing 6206 2RS/C3		
5	60511107S.13	1	Rear Shield		
6	60511325S.2	1	Exciter stator SK160C-, M-, L-		
7	60511317S.2	1	EMC filter SK160SM-		
8	60511325S.3	1	Rear shield cover		
9	60511336S.03	1	IP23 Grid		
10	60511325S.4	1	Kit disks 7,5"		
11	60511317S.3	1	Top cover SK160M-		
12	60511107S.35.1	1	Electronic Board AVR BL4 U		
13A	60511317S.4	1	Terminal box SK160M-		
13B	60511317S.5	1	Terminal box SK160M-		
14A	60511325S.5	1	M6 insulator clamp		
14B	60511336S.02	1	M8 Insulator Clamp		
15	60511325S.6	1	Exc. rotor SK160C-, M-, L- 4P		
16A	60511325S.7	1	M6 terminal board		
16B	60511336S.04	1	M8 Terminal Board		
17	60511336S.05	1	Fuse 5x20 3,15A F		
18	60511336S.06	1	Cover on Regulator Side		
19	UMSINCRO1	1	SINCRO SK160 Special Tool		



[NP] Not provided

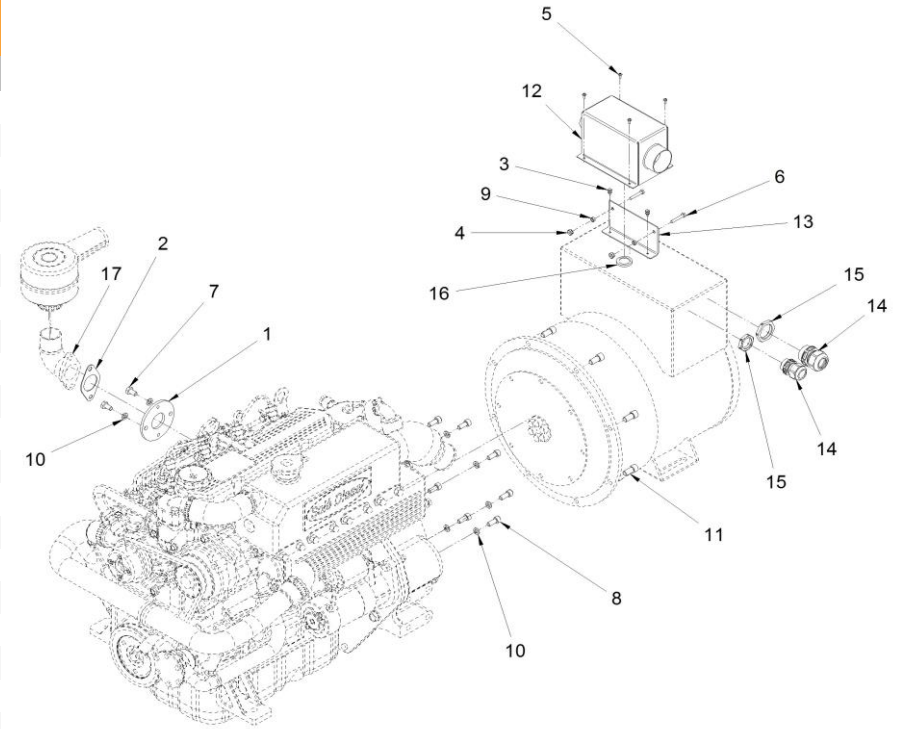
60573103S		1 Phase SINCRO Alt. Kit (S)				
FIG.	REF.	QTY	DESCR.	FROM	UPTO	
1	51030010	16	Washer DIN 125-10			
2	51030012	4	Washer DIN 125-12			
3	51031018	4	Washer DIN 9021 18			
4	52102307	8	Bolt DIN 933 M10-20 8.8			
5	52102359	2	Bolt DIN 933 M12-30 8.8			
5	52102361	2	Bolt DIN 933 M12-40 8.8			
6	52102360	2	Bolt DIN 933 M12-35 8.8			
7	52103257	8	Bolt DIN 912 M8-20 8.8			
8	52120010	8	Nut DIN 934 M10 8.8			
9	53033008	8	Washer GROWER DIN 127-8			
10	53033010	8	Washer GROWER DIN 127-10			
11	53033012	4	Washer Grower DIN 127-12			
12	60539017	8	ALT. SINCRO FASTENING Bolt			
13	60539019	4	LID (60 Tube)			
14	60900306	2	Connector Press CAPTOR-2000 M25 RAL7001			
15	60900309	2	Screw Connector Press Captor-2000 M25			
16	61673001	4	Engine Mount Type F 35 SHA M12 H 34			
NS	53104257	4	Bolt DIN 7984 M8-20 12.9 [NS]			
NS	60900158	1	Terminal Tubular Sleeve (1.5) [NS]			
NS	TR.1.5.6	2	Ring Terminal 1.5 Sec. [NS]			



[NS] Not shown



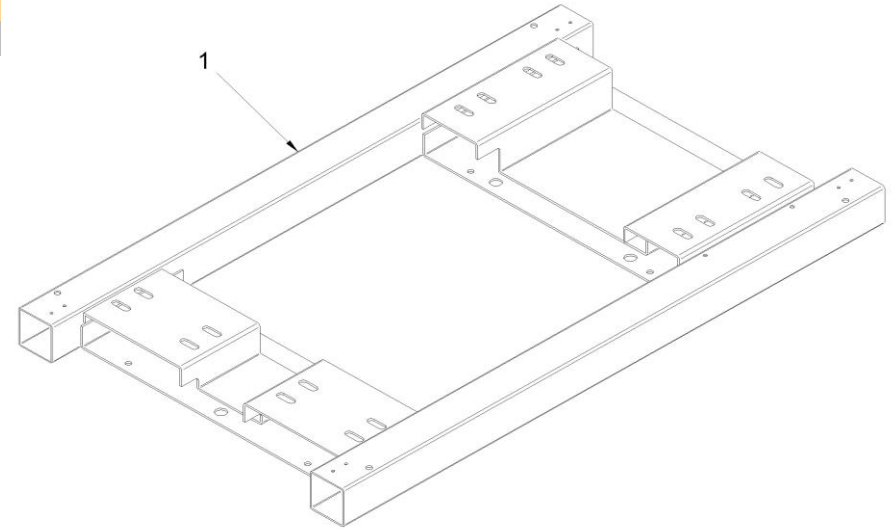
60573061		1 Phase SINCR0 Alt. Kit (C)			
FIG.	REF.	QTY	DESCR.	FROM	UPTO
1	17210029	1	Air Elbow Flange		08/12/2019
1	17310017	1	Air Elbow Flange	09/12/2019	
2	17221034	2	Gasket, Inlet Pipe		
3	52102104	2	Bolt DIN 933 M5-10 8.8		
4	51123005	4	Nut DIN 985 M5 5.6		
5	51918054	4	Bolt DIN 7981C 3,5-9,5		
6	52102110	2	Bolt DIN 933 M5-30 8.8 CINCADO		
7	52102256	2	Bolt DIN 933 M8-16 8.8		
8	52103257	8	Bolt DIN 912 M8-20 8.8		
9	52120005	2	Nut DIN 934 M5 8.8		
10	53033008	10	Washer GROWER DIN 127-8		
11	60539017	8	ALT. SINCR0 FASTENING Bolt		
12	60573041.71	1	REGULATOR Bracket Box		
13	60573041.72	1	VOLT REGULATOR Bracket Box		
14	60900306	2	Connector Press CAPTOR-2000 M25 RAL7001		
15	60900309	2	Screw Connector Press Captor-2000 M25		
16	60900517	1	Cover,wiring		
17	17210020	1	Bend	09/12/2019	
17	51030005	8	Washer DIN 125-5		
NS	52105258	2	Bolt DIN 7991 M8-25 10.9 [NS]	09/12/2019	
NS	52120008	2	Nut DIN 934 M8 8.8 [NS]	09/12/2019	
NS	53104257	4	Bolt DIN 7984 M8-20 12.9 [NS]		
NS	60900510	1	Emergency Stop PUSH BOTTOM [NS]		
NS	60900511	1	Stop PUSH BOTTOM Body [NS]		
NS	60973086	1	TWO PoleS 63A DISconnector [NS]		
NS	60974072M	1	Inst. Alt. To "V" Brown Breaker Sec. 16 - 800mm [NS]		
NS	60974072N	1	Inst. Alt. To "U" Black Breaker Sec. 16 - 800mm [NS]		



[NS] Not shown

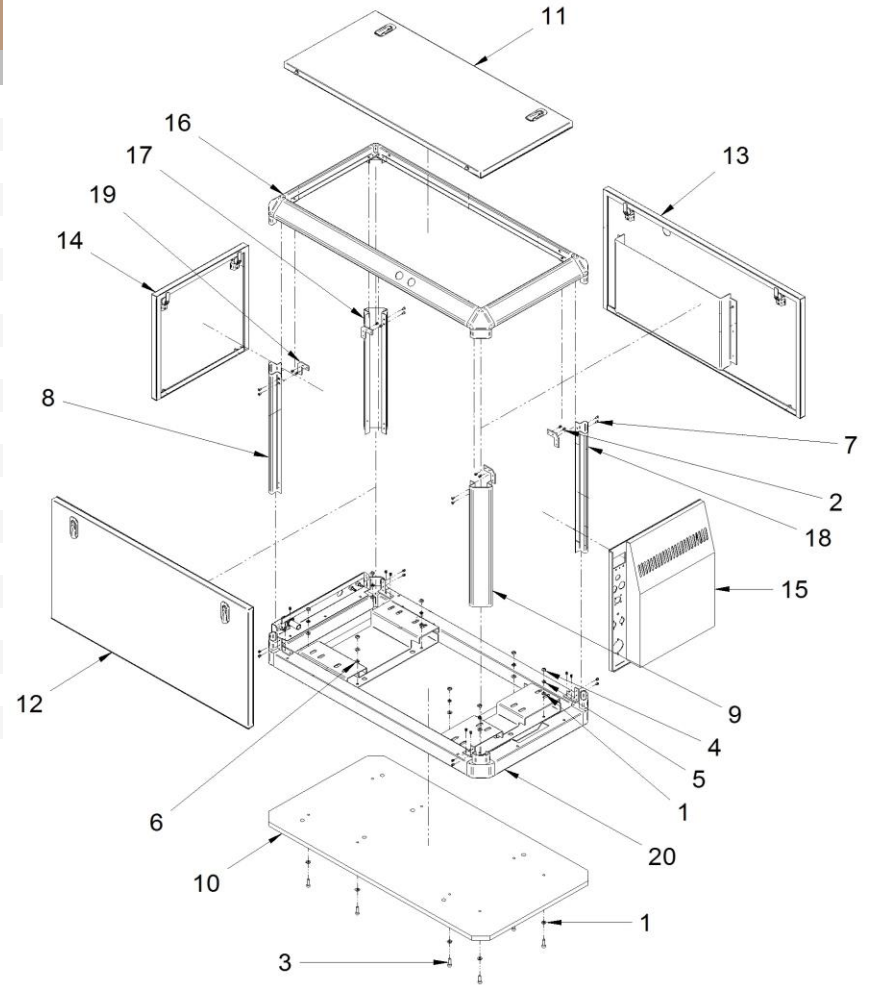


D_60573041.01		Chassis				
FIG.	REF.	QTY	DESCR.	FROM	UPTO	
1	60573041.01	1	Genset CHASSIS			



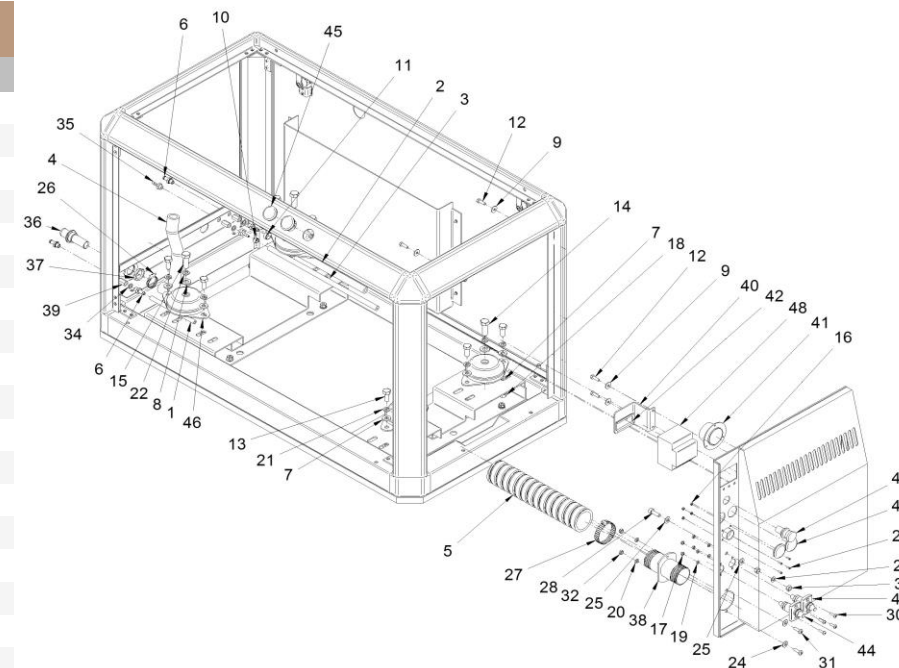


D_AXGD_4_1 Cabin						
FIG.	REF.	QTY	DESCR.	FROM	UPTO	
1	51030008	16	Washer DIN 125-8			
2	51058054	25	Aluminium Rivet 4.0 X 10			
3	52103258	8	Bolt DIN 912 M8-25 8.8			
4	52120008	8	Nut DIN 934 M8 8.8			
5	53033008	7	Washer GROWER DIN 127-8			
6	53038008	1	Washer DIN 6798-A 8			
7	53105104	8	Bolt DIN 7991 M5-10 12.9			
8	60573041.03	1	VERTICAL BAR			
9	60573041.04	1	VERTICAL BAR			
10	60573041.10	1	BASEBOARD			
11	60573041.20	1	Upper Panel			
12	60573041.21	1	Side Panel			
13	60573041.22	1	Air Output Panel			
14	60573041.24	1	Front Panel			
15	60573041.25A	1	Back Panel			
16	60573041.30	1	Upper Frame			
17	60573041.31	1	VERTICAL BAR			
18	60573041.32	1	Vertical Bar			
19	60573041.43	4	L Fastening Bracket			
20	60573041.63	1	Bottom Frame			





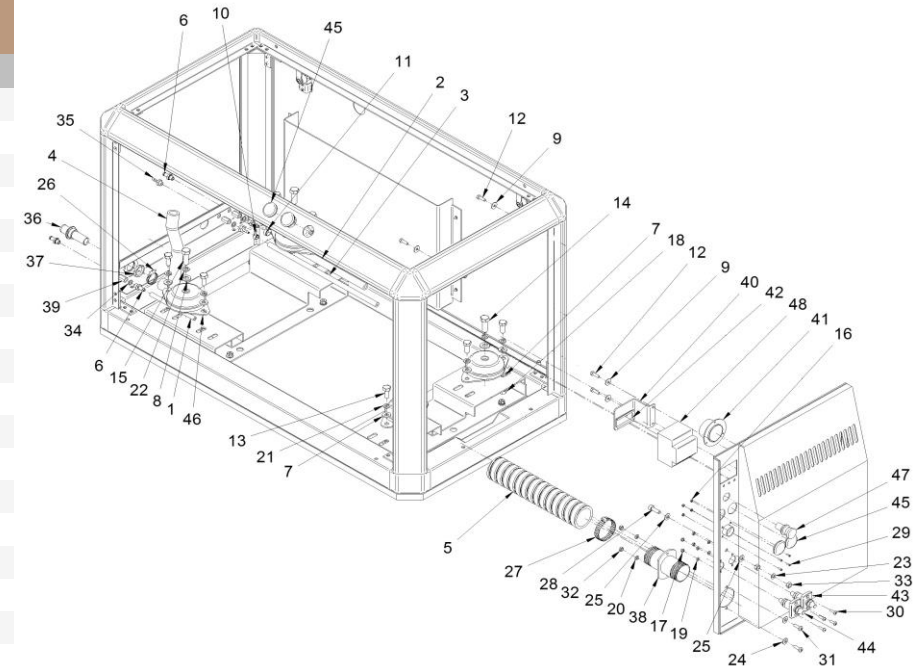
D_ATGD_4_2		Kit Cabin			
FIG.	REF.	QTY	DESCR.	FROM	UPTO
1	M80501006	1,2	Hose D.10-6 [NP]		
2	M81510817	1,2	Fuel Hose D. 8-17		
3	M86500512	1,22	Fuel Hose DIN 73379 D. 5-11		
4	M87501927	0,4	Water Intake Hose (HQ) D. 19-27		
5	M88505062	0,6	Exhaust Hose D. 51		
6	13814072	4	Straight Hose Connector 1/8" NPTF		
7	51030010	18	Washer DIN 125-10		
8	51030012	5	Washer DIN 125-12		
9	51031006	4	Washer DIN 9021 6		
10	51086011	2	ONE EAR Clamp With Interior Ring 9-10,5		
11	51086015	2	One Ear Clamp With Interior Ring 13-15,3		
12	52102157	4	Bolt DIN 933 M6-20 8.8		
13	52102307	8	Bolt DIN 933 M10-20 8.8		
14	52102359	2	Bolt DIN 933 M12-30 8.8		
15	52102361	2	Bolt DIN 933 M12-40 8.8		
16	52120003	4	Nut DIN 934 M3 8.8		
17	52120005	4	Nut DIN 934 M5 8.8		
18	52120010	8	Nut DIN 934 M10 8.8		
19	53033005	4	Washer GROWER DIN 127-5		
20	53033006	2	Washer GROWER DIN 127-6		
21	53033010	8	Washer GROWER DIN 127-10		
22	53033012	4	Washer Grower DIN 127-12		
23	53038008	1	Washer DIN 6798-A 8		
24	54030006	2	Washer DIN 125-6 INOX.		
25	54030008	2	Washer DIN 125-8 INOX.		
26	54081016	2	Clamp DIN 3017 16-27/9 W4		
27	54083059	1	GP Clamp 55-59 W4 STC		
28	54103258	1	Bolt DIN 912 M8-25 INOX.		
29	54108003	4	Bolt DIN 84 M3-8 INOX.		
30	54118106	4	Bolt DIN 7985 M5-16 INOX		
31	54118157	2	Bolt DIN 7985 M6-20 INOX		
32	54120006	2	Nut DIN 934 M6 INOX		
33	54120008	2	Nut DIN 934 M8		
34	57000361	3	Washer 10-14-1,5		
35	60571041.39	2	Gasoil Wall Bushing D.6 MALE		



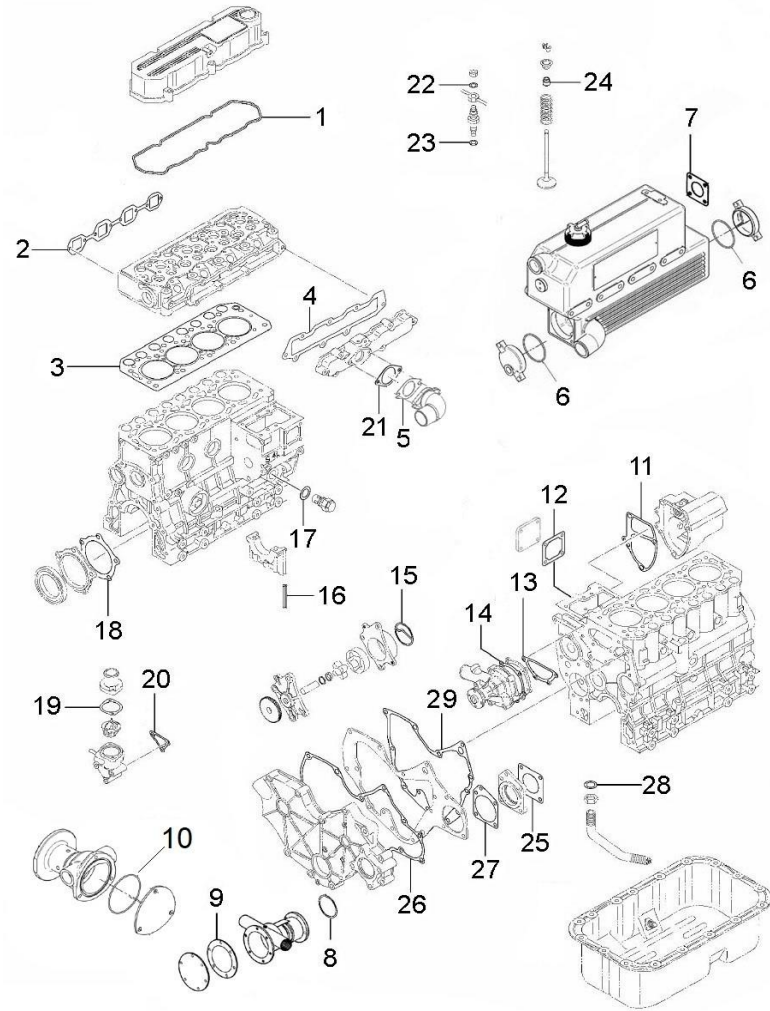
[NP] Not provided  
 [NS] Not shown



D_ATGD_4_2		Kit Cabin			
FIG.	REF.	QTY	DESCR.	FROM	UPTO
36	60572014	1	Water Wall Bushing D.20		
37	60572014.1	1	3/4" GAS Nut		
38	60573014	1	Exhaust Wall PASS D.50		
39	60573041.39	3	ROD Coupling 1/8 BSP		
40	60573041.42	1	L FASTENING Bracket With OMEGA		
41	60573041.46	1	Air Connection D.50		
42	60573041.62	1	Switch Disconnecter Omega Bracket		
43	60573047	1	Battery Plug IN		
44	60573048	1	Battery Plug IN		
45	60900508	4	Shutter 31		
46	61673001	4	Engine Mount Type F 35 SHA M12 H 34		
47	60900510	1	Emergency Stop PUSH BOTTOM		
48	60973086	1	TWO PoleS 63A DISConnector		
NS	52202358	1	Bolt DIN 933 M12-1,25-25 8.8 [NS]		
NS	54082025	2	Clamp DIN 3017 25-40/12 W4 [NS]		
NS	54082032	2	Clamp DIN 3017 32-50/12 W4 [NS]		
NS	58018160	5	Screw [NS]		
NS	60572041.70	1	Genset Switch Disconnecter Bracket [NS] [NP]		
NS	60972073	1	0,25 M. CHASSIS TO MOTOR Wiring GROUND [NS]		
NS	60972074	1	0,44 M. Back Panel To Alt. Wiring Ground [NS]		
NS	60972090	2	TER. PROTECTIVE 20 RED [NS]		
NS	60972091	2	TER. PROTECTIVE 20 BLACK [NS]		
NS	60973048	1	BLACK Battery NEGATIVE Wiring [NS]		
NS	60973049.1	1	RED Battery POSITIVE Wiring [NS]		
NS	M88564500	1,2	Air Aspiration Hose D. 45 [NS]		
NS	M88565000	0,3	Air Aspiration Hose D. 50 [NS]		
NS	TP.16.L.22	4	Twin Connector Terminal 16 Sec. [NS]		

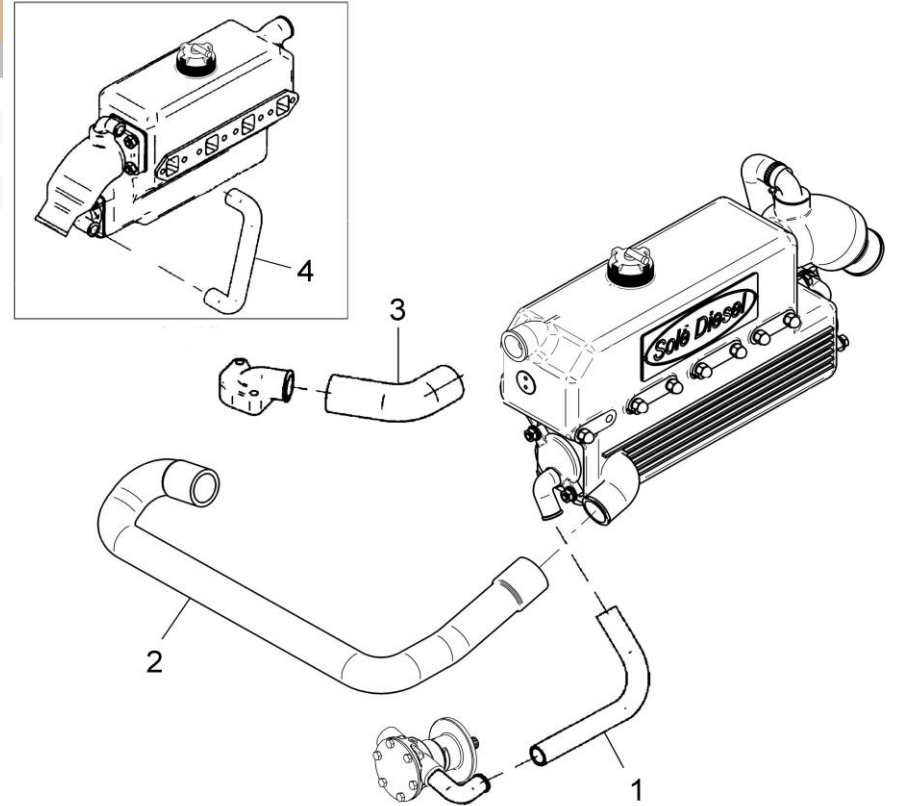


D_17320101G		Gasket Kit			
FIG.	REF.	QTY	DESCR.	FROM	UPTO
1	17321010	1	Rocker Cover Gasket		
2	17321035.1	1	Gasket		
3	17321004	1	Gasket, Cylinder Head		
4	17321032	1	Gasket, Inlet Cover		
5	17321033	1	Inlet Pipe Gasket		
6	13811007	2	O-Ring D. 57X2,5		
7	15113043	1	Exhaust Elbow Gasket		
8	17011007	1	O-Ring D. 57X3		
9	31211003	1	Gasket Cover		
10	37611003	1	O-Ring D. 57x1,5		01/06/2022
10	37611005	1	O-Ring D. 57X1,78	02/06/2022	
11	17223033	1	Gasket, Governor Case		
12	13223014	1	Gasket Cover		
13	13221022	1	Gasket Water Pump		
14	13221041	1	Gasket Water Pump		
15	17224041	1	Packing, Body		
16	17220002	4	Seal, Side		
17	17424063	1	Gasket		
18	17220016	1	Gasket, Oil Seal Case		
19	17221031	1	Gasket, Thermostat		
20	17221033	1	Gasket, Thermostat Case		
21	17321034.4	1	Pipe Inlet Gasket		
22	17424025G.1	4	Gasket Fuel Return (Genset)		
23	13824013	4	Injector Washer		
24	13222054	8	Seal Valve Stem		
25	13120047	3	Gasket Water Pump		
26	17220040	1	Gasket, Gear Case		
27	17220038	1	Gasket, Housing		
28	17024001	1	Gasket		
29	17220018	1	Gasket, Front Plate		

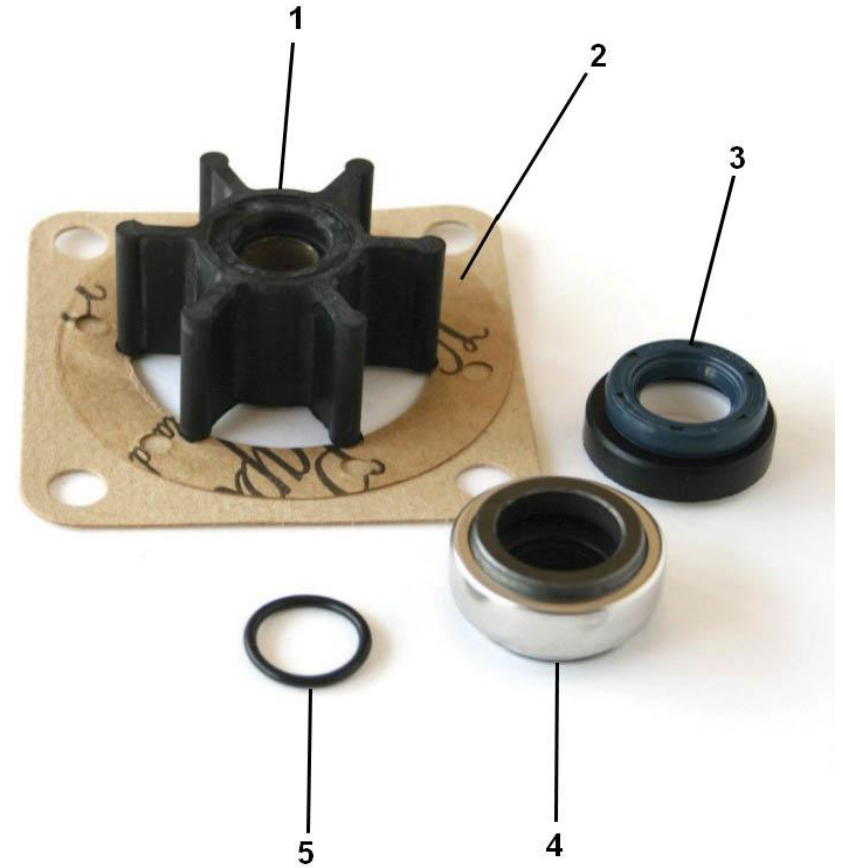




17211100.4		Pipe Rubber Set, Water Line				
FIG.	REF.	QTY	DESCR.	FROM	UPTO	
1	17011012	1	Elbow			
2	17211006	1	Hose			
3	17211021	1	Elbow			
4	17211034	1	Rubber WET Exhaust Inlet BEND			



33811000K		Repair Kit Water Pump 1/2"				
FIG.	REF.	QTY	DESCR.	FROM	UPTO	
1	31211008	1	1/2" Impeller			
2	31211003	1	Gasket Cover			
3	33411020	1	Seal			
4	33411019	1	Seal			
5	33311013	1	O-Ring D. 15X2			
NS	17011007	1	O-Ring D. 57X3 [NS]			



[NS] Not shown

37611000K		Repair Kit Water Pump 1/2"				
FIG.	REF.	QTY	DESCR.	FROM	UPTO	
1	31211008	1	1/2" Impeller			
2	37611003	1	O-Ring D. 57x1,5		01/06/2022	
2	37611005	1	O-Ring D. 57X1,78	02/06/2022		
3	33411020	1	Seal			
4	33411019	1	Seal			
5	33311013	1	O-Ring D. 15X2			
NS	17011007	1	O-Ring D. 57X3 [NS]			



[NS] Not shown



D_UTILFA1229_1		Special Tools				
FIG.	REF.	QTY	DESCR.	FROM	UPTO	
1	UMM74007	1	Piston Ring Pliers			
2	U31A9100100	1	Piston pin setting tool			
3	UST332270	1	Compression Gauge Adapter			
4	UST332340	1	Camshaft Bushing Installer			

