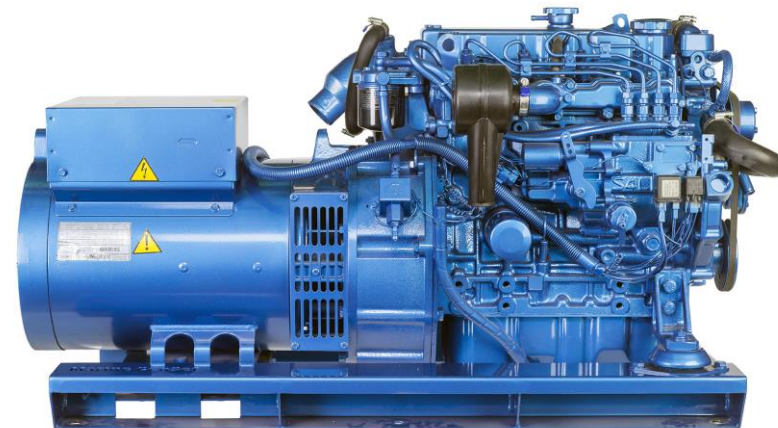
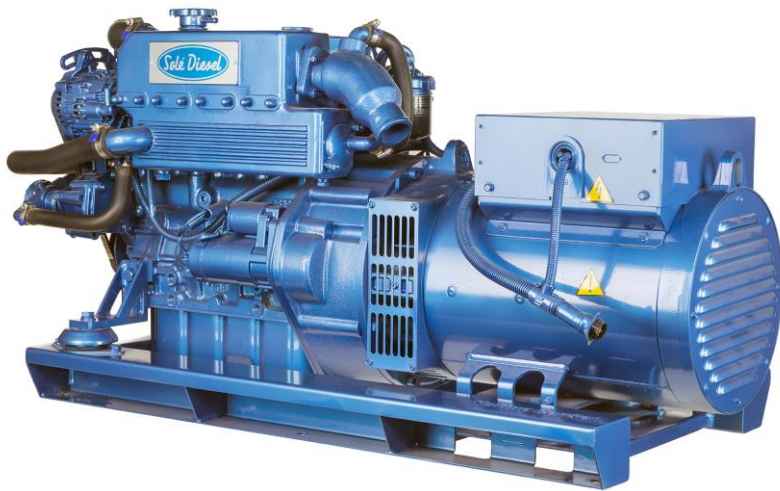




Genset G-25M-3 & G-25T-3

VERSION 2023-8

SPARE PARTS MANUAL



PARTS LIST CATALOGUE

NORMS TO PLACE AN ORDER:

For fast and more efficient service, please specify the following information on spare parts orders that must be preferably done by FAX or e-mail as specified below:

- 1- Engine model: As shown in identification plate
- 2- Engine serial number: As shown in identification plate and stamped on crankcase
- 3- Item description + part number + quantity required

Spare parts requests must be addressed to:

recambios@solediesel.com

Telf.: +34 93 775 44 05

Fax: +34 93 775 30 13

The components shown in the catalog have:

- Figure: Number by which they are represented in scheme
 - Description: Trade name of the component
 - Quantity: Total number of parts used in the assembly of the part represented (may differ from the total minimum quantities)
- Hoses, indicates the total length in meters

The diagrams shown in this catalog of spare parts, have only the purpose to identify the piece in question, its representation is not meaningful and may differ from the actual piece.

In case of doubt, contact Solé Diesel, or your authorized dealer.

The parts i / or references in this catalog are subject to change without notice.

[SOLE S.A.](#)

C-243b, Km, 2 - P.O. BOX 15
08760 Martorell (Barcelona) Spain

Download the latest version of this manual [HERE](#)

Engine Body

Cylinder Head
Rocker Cover and Breather
Valve Drive
Timing Parts
Gear Case
Crankcase
Rear Plate
Piston & Connection Rod
Crankshaft & Flywheel
Oil System
Oil Pan
Engine Brackets

Inlet & Exhaust

Inlet

Cooling System

Water Pump
Cooler Pipes
Water Cooler Assy MINI-44 v6 from to 27/11/2020
Wet Exhaust
Splined Pump 1/2" MINI-11/17/29/33/44

Fuel System

Fuel Pipe
Injection Nozzle
Fuel Injection Pump
Governor Parts
Fuel Supply Parts

Electrical System

Electrical System 12V
Panels for Genset
Panel Components for Genset
Genset Extension

Genset Alternator Spare Parts

Alternator G-25M-3 Y G-25T-3
Alternator Spare Parts G-25M-3 & G-25T-3

Genset Alternator Kit

Alternator Kit

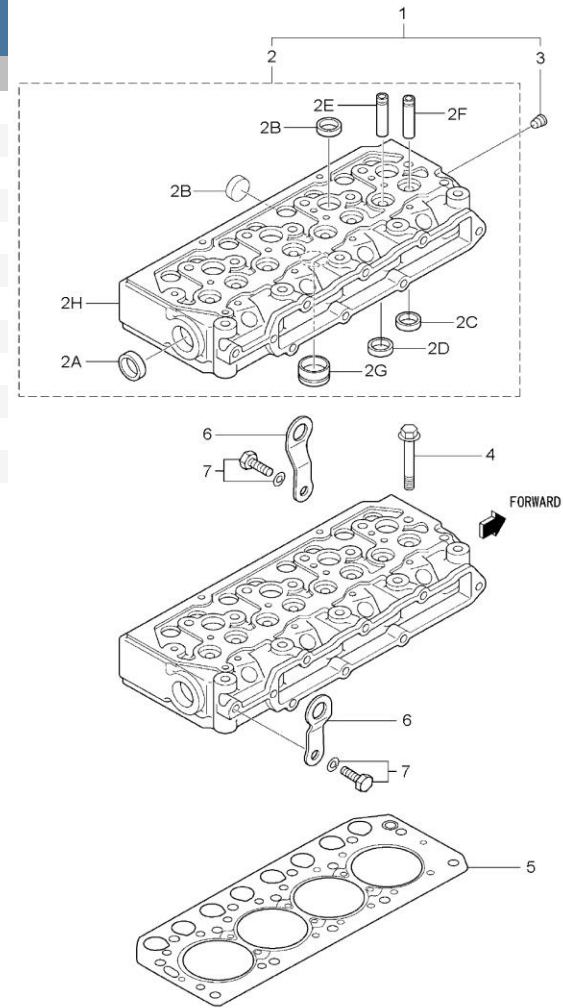
Chassis Spare Parts

Genset Chassis

Maintenance Kit

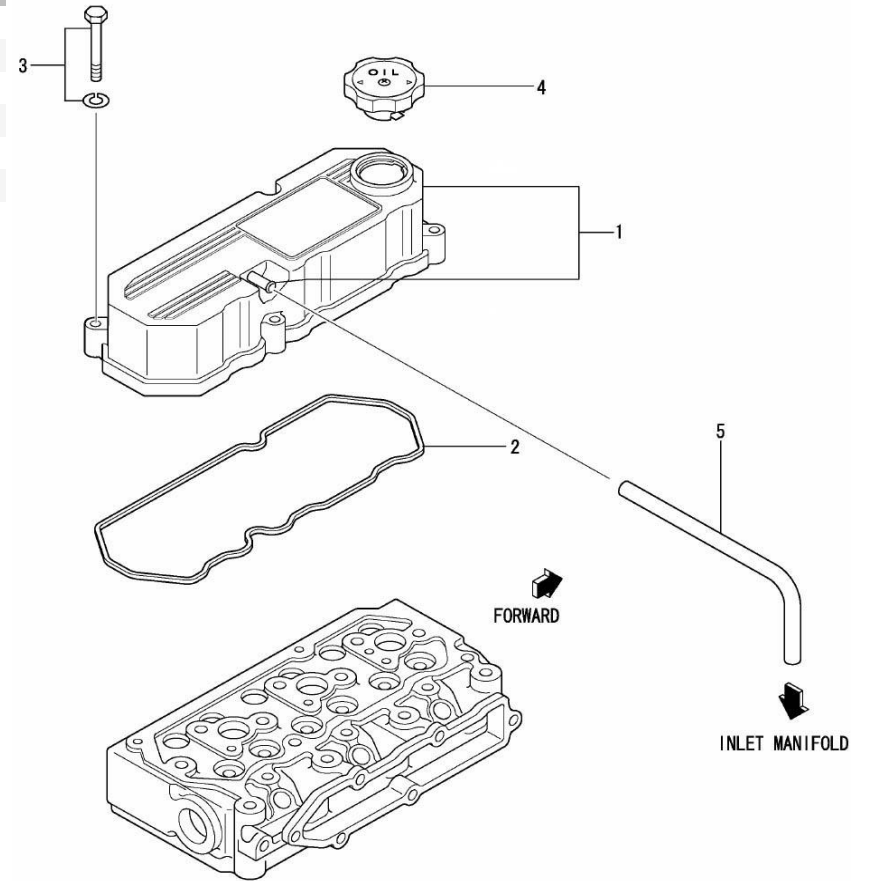
Gasket Kit
Pipe Rubber Set, Water Line
Gasket Set
Repair Kit Water Pump 1/2"
Repair Kit Water Pump 1/2"
Special Tools

D_MID1_1_1		Cylinder Head				
FIG.	REF.	QTY	DESCR.	FROM	UPTO	
1	17721001	1	Head Assy,Cylinder			
2	(*)	1	Not available [NP]			
2A	17221012.4	1	Cap Sealing			
2B	13220012	7	Cap Sealing			
2E	17221002.4	4	Guide, Valve Exhaust			
2F	17321003.4	4	Guide, Valve, Inlet			
2G	17321015.1	4	JET,COMBUSTION [NP]			
3	17621011.4	1	Plug TAPER			
4	17221005	14	Bolt,cylinder head			
5	17321004	1	Gasket, Cylinder Head			
6	17210008	2	HANGER, Engine			
7	13322079	2	Bolt			



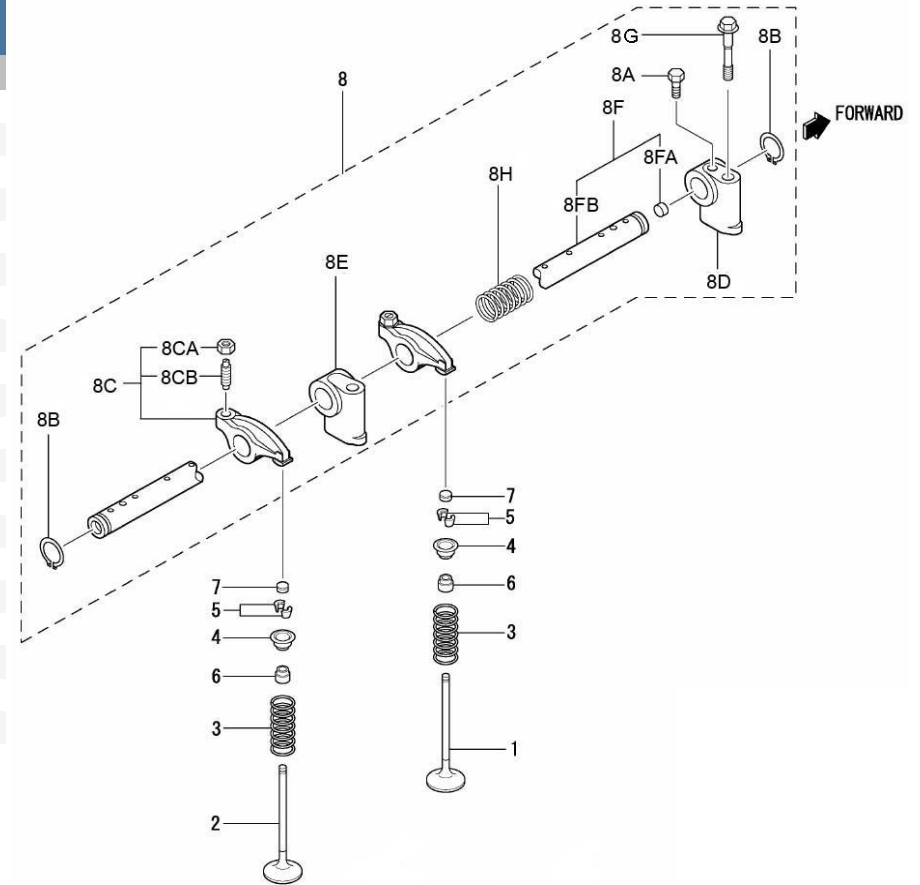
[NP] Not provided

D_MID1_1_2		Rocker Cover and Breather				
FIG.	REF.	QTY	DESCR.	FROM	UPTO	
1	17321009	1	Cover Assy, Rocker			
2	17321010	1	Rocker Cover Gasket			
3A	52101261	5	Bolt DIN 931 M8-40 8.8			
3B	53033008	5	Washer GROWER DIN 127-8			
4	13221003	1	Cap Oil FILLER			
5	17321006.4	1	Hose Breather			



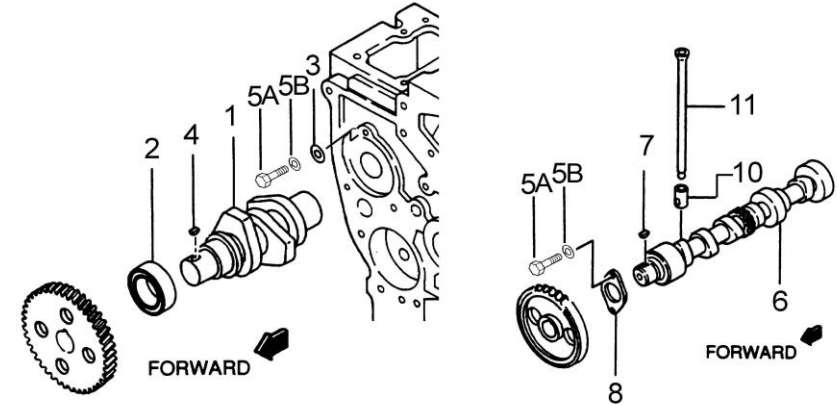
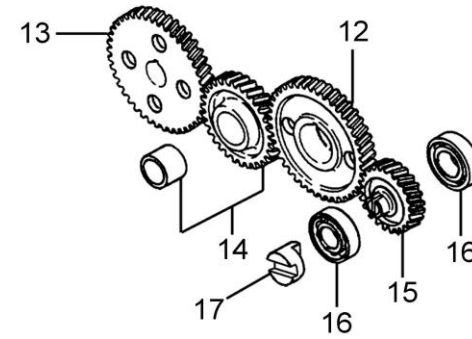


D_MID1_1_3		Valve Drive				
FIG.	REF.	QTY	DESCR.	FROM	UPTO	
1	17222055	4	Intake Valve Exhaust			
2	17222056	4	Valve			
3	17222057.4	8	Spring, Valve			
4	13822058	8	Retainer Valve SP			
5	17622059.4	16	LOCK Valve			
6	13222054	8	Seal Valve Stem			
7	13822069	8	Cap Stem			
8	(*)	1	Not available [NP]			
8A	17222053	1	Bolt			
8B	17222050	2	Ring, SNAP			
8C	17222142	8	Rocker Assy			
8CA	17122060	8	Nut			
8CB	17122044	8	Screw Adjusting			
8D	17222048.4	1	Bracket, Rocker Shaft			
8E	17222049.4	3	Bracket, Rocker Shaft			
8F	17322146.4	1	Rocker & Shaft Assy			
8FA	17222025.4	2	Cap, Sealing			
8FB	17322046.4	1	Shaft Assy, Rocker			
8G	17222053.5G	4	Bolt			
8H	17222047.4	3	Spring			

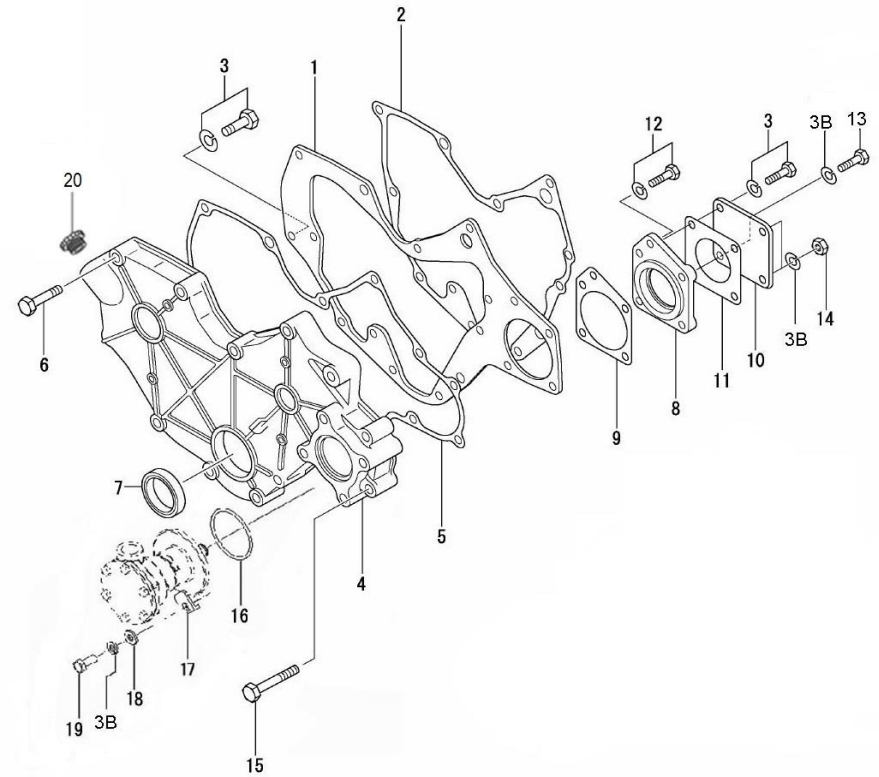


[NP] Not provided

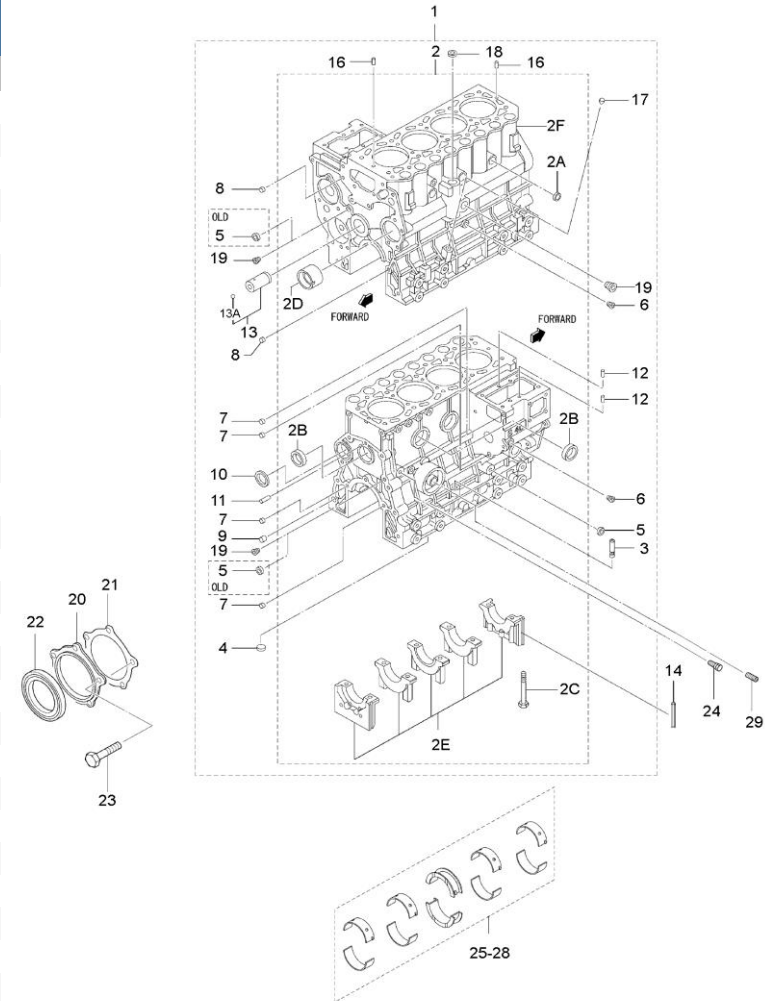
D_MID1_1_4		Timing Parts				
FIG.	REF.	QTY	DESCR.	FROM	UPTO	
1	17322040.4	1	Shaft, Fuel Injection Pump			
2	13222062	1	Ball Bearing 6228			
3	17222065	1	Washer			
4	17622060.4	1	Key, Sunk			
5A	52102256	3	Bolt DIN 933 M8-16 8.8			
5B	53033008	3	Washer GROWER DIN 127-8			
6	17322035.4	1	CamShaft			
7	17222020.4	1	KEY			
8	17422075	1	Plate,THRUST			
10	17322061.4	8	Tappet			
11	17222041	8	ROD, PUSH			
12	17322037.4	1	Gear, CamShaft			
13	17322043.1	1	Gear,Injection Pump			
14	17222038.4	1	Gear Assy, IDLER			
15	17322066.4	1	Gear, Pressure Oil Pump			
16	17022067	2	Ball Bearing 6205-C3			
17	17311026	1	Coupling,Water Pump			



D_MID1_1_5		Gear Case			
FIG.	REF.	QTY	DESCR.	FROM	UPTO
1	17220024	1	Plate, Front		
2	17220018	1	Gasket, Front Plate		
3A	52102256	5	Bolt DIN 933 M8-16 8.8		
3B	53033008	12	Washer GROWER DIN 127-8		
4	17220035	1	Case Gear		
5	17220040	1	Gasket, Gear Case		
6	17220034.4	8	Bolt		
7	13220039	1	Seal Oil		
8	17220037	1	Housing, Gear Pump		
9	17220038	1	Gasket, Housing		
10	13120046	1	Cover Oil Pump SH		
11	13120047	1	Gasket Water Pump		
12	13322078	1	Bolt		
13	52101260	1	Bolt DIN 931 M8-35 8.8		
14	17120049	2	Nut M8		
15	17024062	2	Bolt		
16	17011007	1	O-Ring D. 57X3		
17	13811062	4	Pump Bracket		
18	51030008	4	Washer DIN 125-8		
19	52102257	4	Bolt DIN 933 M8-20 8.8		
20	17621003	1	Cap Oil FILLER		



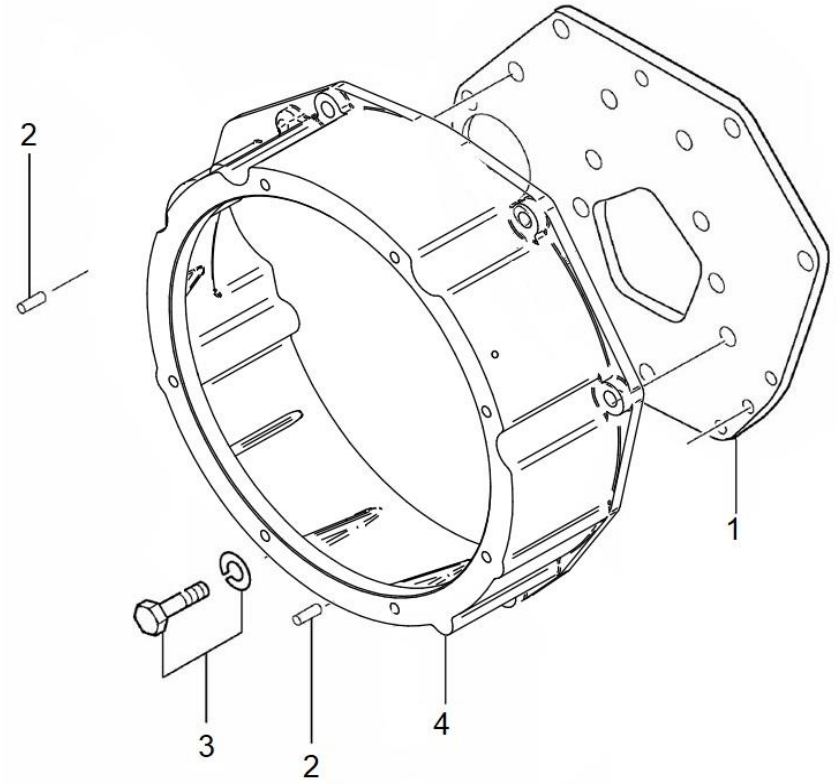
D_MID1_1_6		Cranckcase			
FIG.	REF.	QTY	DESCR.	FROM	UPTO
1	17320001.4	1	Block Assy, Cylinder		
2	(*)	2	Not available [NP]		
2A	17220006.4	3	Cap, Sealing		
2B	17221012.4	3	Cap Sealing		
2C	17220009	10	Bolt Bearing Cap		
2D	17220011	1	Bushing, CamShaft		
3	17620007.4	1	Guide		
4	17220012.4	1	Cap, Sealing		
5	17220013	3	Cap, Sealing		
6	17220013.4	2	Plug		
7	17220010.4	4	BUSHING,KNOCK		
8	17620022.4	2	BUSHING,KNOCK		
9	17220022.4	1	BUSHING,KNOCK		
10	17220019	1	Plug, Expansion		
11	17620020.4	1	Pin		
12	17620036.4	2	Pin Dowel		
13	17220014.4	1	Shaft Assy, IDLER		
13A	17220028	1	Ball		
14	17220002	4	Seal, Side		
15	17720011	2	Plug,TAPERED		
16	17120019	2	Pin, dowel		
17	17220023.4	1	Plug, TAPER		
18	17020014	1	Cap		
19	17620024.4	5	Plug TAPER		
20	17220015.4	1	Case, Oil Seal		
21	17220016	1	Gasket, Oil Seal Case		
22	17220063	1	Seal, Oil		
23	17220059.4	5	Bolt		
24	17120022	1	Plug, tapered		
25	13220003	1	Bearing Set CRANK		
26	13220004	0	Bearing Set CRANK [VAR]		
27	13220005	0	Bearing Set CRANK [VAR]		
28	13220006	0	Bearing Set CRANK [VAR]		
29	17624047.4	1	Shaft Oil Filter		



[NP] Not provided

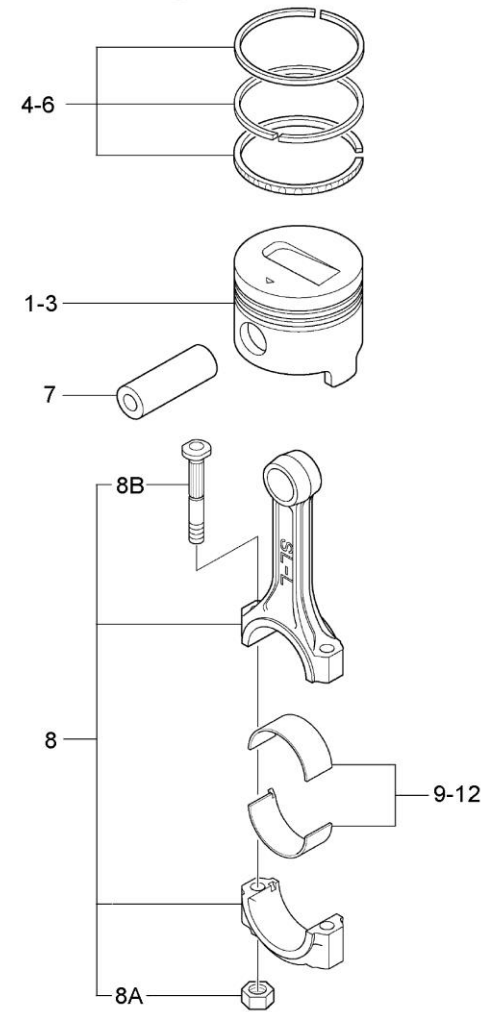
[VAR] Variable according to repair

D_MI44GST3ST_01_7		Rear Plate				
FIG.	REF.	QTY	DESCR.	FROM	UPTO	
4	13410019	1	SAE 5,adaptor flange			
NS	17310011	1	Suplement,Flywheel SAE 6 1/2 [NS]			



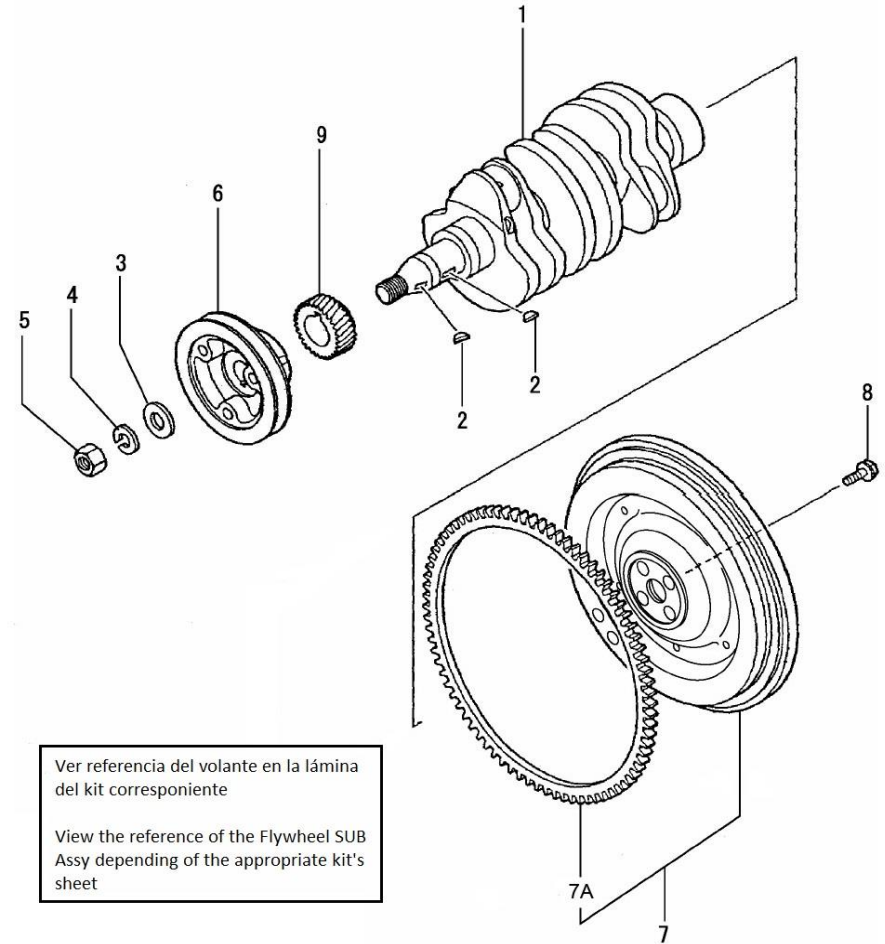
[NS] Not shown

D_MID1_1_8						
Piston & Connection Rod						
FIG.	REF.	QTY	DESCR.	FROM	UPTO	
1	17222001	4	Piston STD.			
2	17222002	0	Piston + 0,25 [VAR]			
3	17222003	0	Piston + 0,50 [VAR]			
4	17222006	4	Ring Set, Piston STD			
5	17222007	0	Ring Set, Piston + 0,25 [VAR]			
6	17722008	0	Ring Set,Piston O.S 0.50 [VAR]			
7	17222009	4	Pin, Piston			
8	17322010.4	4	ROD Assy, CONNECTING			
8A	17022011	8	Nut,connecting rod			
8B	17222013	8	Bolt,connecting rod			
9	17222014	4	Metal Set, Con Rod STD.			
10	17222015	0	METAL Set, CON ROD - 0,25 [VAR]			
11	17222016	0	METAL Set, CON ROD - 0,50 [VAR]			
12	17222017	0	METAL Set, CON ROD - 0,75 [VAR]			

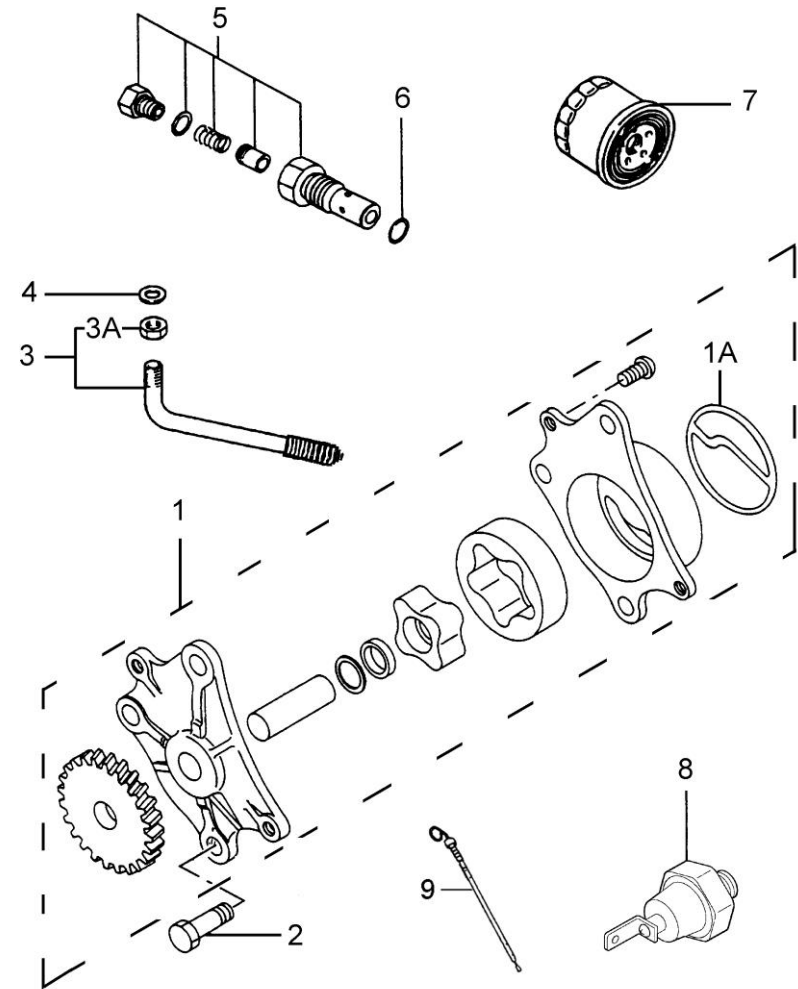


[VAR] Variable according to repair

D_MID1_1_9 Crankshaft & Flywheel						
FIG.	REF.	QTY	DESCR.	FROM	UPTO	
1	17322018	1	CrankShaft			
2	17222020.4	2	KEY			
3	17222051	1	Washer, Plain			
4	53033018	1	Washer GROWER DIN 127-18			
5	13222026	1	Nut			
6	17322024.4	1	Pulley CrankShaft			
7	17322027.4	1	Flywheel Sub Assy			
7A	13222029	1	Gear			
8	17222031.4	4	Bolt Drive			
9	17222021.4	1	Gear, CrankShaft			

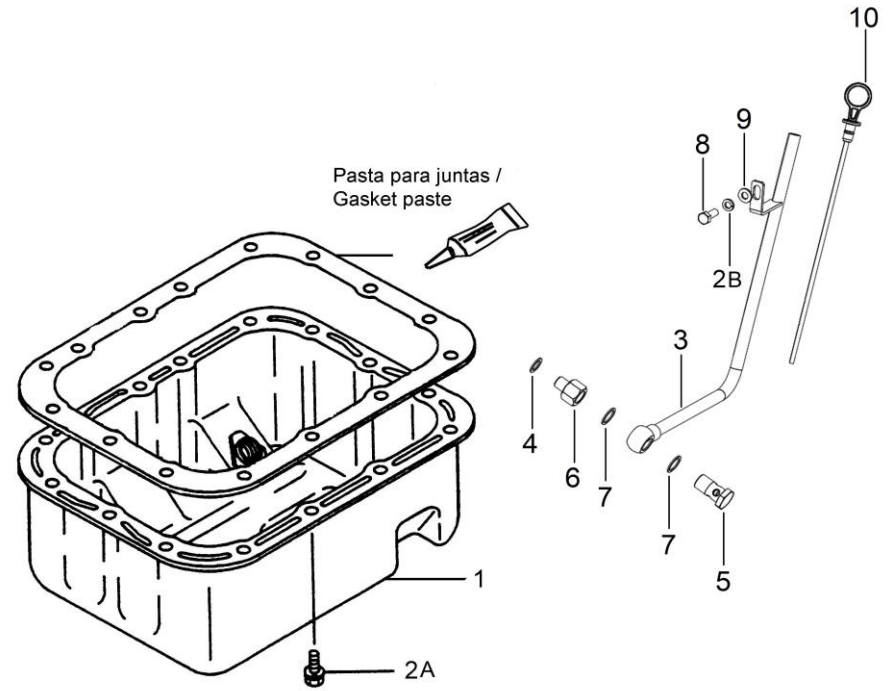


D_MID1_1_10		Oil System				
FIG.	REF.	QTY	DESCR.	FROM	UPTO	
1	17224040	1	Pump Assy, Oil			
1A	17224041	1	Packing, Body			
2	52102258	3	Bolt DIN 933 M8-25 8.8			
3	17324052.4	1	Strainer Assy			
3A	51221016	1	Nut DIN 936 M16X1,5 5.6 ZINC			
4	17024001	1	Gasket			
5	17124072	1	Valve, Assy			
6	17424063	1	Gasket			
7	13124051	1	Oil Filter Element from MINI 11 to 55			
8	17327027.4	1	SWITCH, oil pressure			
9	17220029.4	1	Gauge Oil LEVEL			

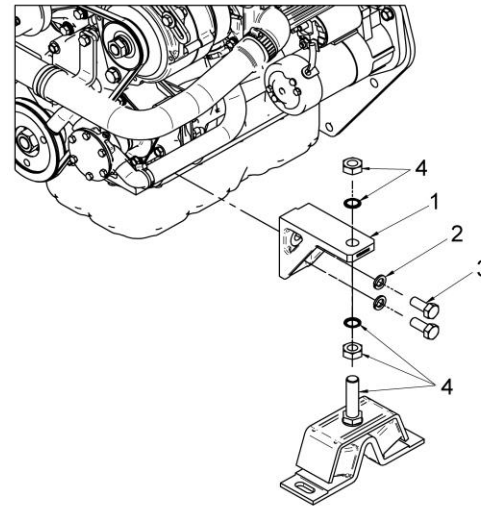
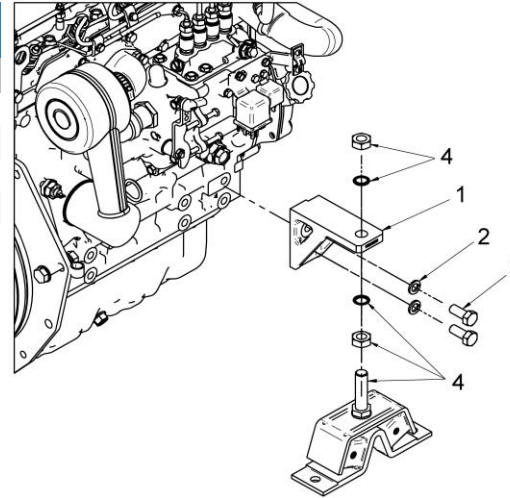




D_MID2_1_11		Oil Pan				
FIG.	REF.	QTY	DESCR.	FROM	UPTO	
1	17320030.4	1	Pan Assy, Oil			
2A	52102256	15	Bolt DIN 933 M8-16 8.8			
2B	53033008	16	Washer GROWER DIN 127-8			
3	17312030	1	Tube Oil Gauge			
4	56000069	1	Washer 14-20-1,5			
5	16514022	1	Coupling,screw 18x150			
6	17312031	1	Adapter			
7	56000077	2	Washer 18-23-1,5			
8	52102257	1	Bolt DIN 933 M8-20 8.8			
9	51030008	1	Washer DIN 125-8			
10	17312029	1	Oil Dipstick			

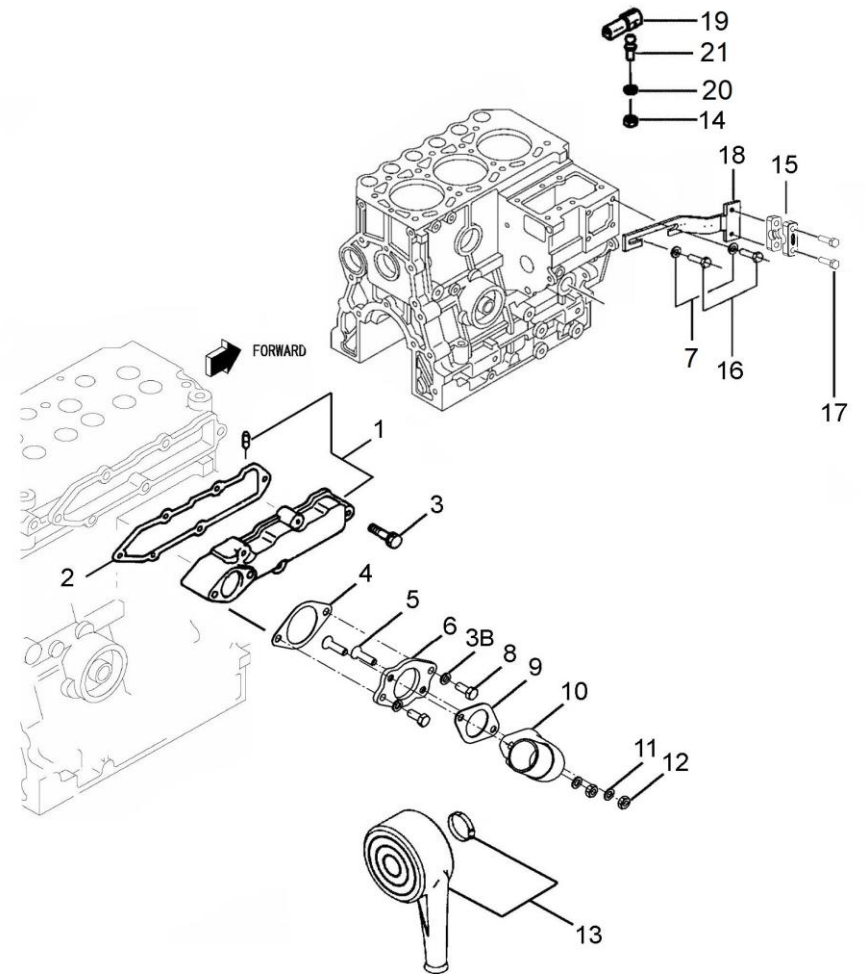


D_MID2_1_12		Engine Brackets				
FIG.	REF.	QTY	DESCR.	FROM	UPTO	
1	17210028	2	Bracket, Front			
2	53033012	4	Washer Grower DIN 127-12			
3	52202358	4	Bolt DIN 933 M12-1,25-25 8.8			
4	61673100	4	Engine Mount Type D 45 SHA M16 H 114			



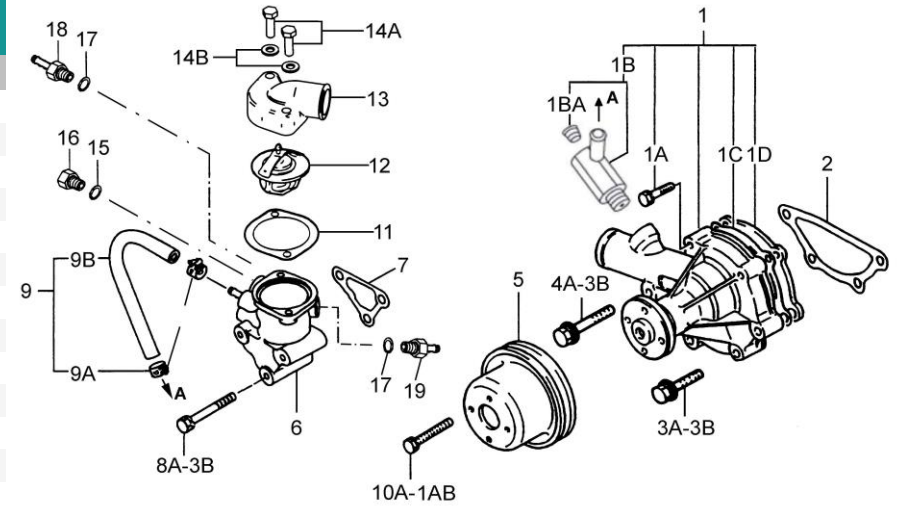


D_MID2_2_1		Inlet				
FIG.	REF.	QTY	DESCR.	FROM	UPTO	
1	17321030.4	1	Cover Assy, Inlet			
2	17321032.1	1	Gasket, Inlet Cover			
3A	52101260	5	Bolt DIN 931 M8-35 8.8			
3B	53033008	7	Washer GROWER DIN 127-8			
4	17321034.4	1	Pipe Inlet Gasket			
5	52105258	2	Bolt DIN 7991 M8-25 10.9			
6	17310021	1	Inlet Flange			
7	51030006	2	Washer DIN 125-6			
8	52102257	2	Bolt DIN 933 M8-20 8.8			
9	17221034	1	Gasket, Inlet Pipe			
10	17210020	1	Bend			
11	53038008	2	Washer DIN 6798-A 8			
12	52120008	2	Nut DIN 934 M8 8.8			
13	13810074	1	Air Filter			
14	52120006	1	Nut DIN 934 M6 8.8			
15	13819001	1	Half Flange Morse Cable			
16	52102157	2	Bolt DIN 933 M6-20 8.8			
17	52102108	2	Bolt DIN 933 M5-20 8.8 CINCADO			
18	17319003	1	Bracket, Engine Control			
19	15119015	1	CABLE Holder Ball			
20	53033006	1	Washer GROWER DIN 127-6			
21	14419023	1	Ball JOINT			



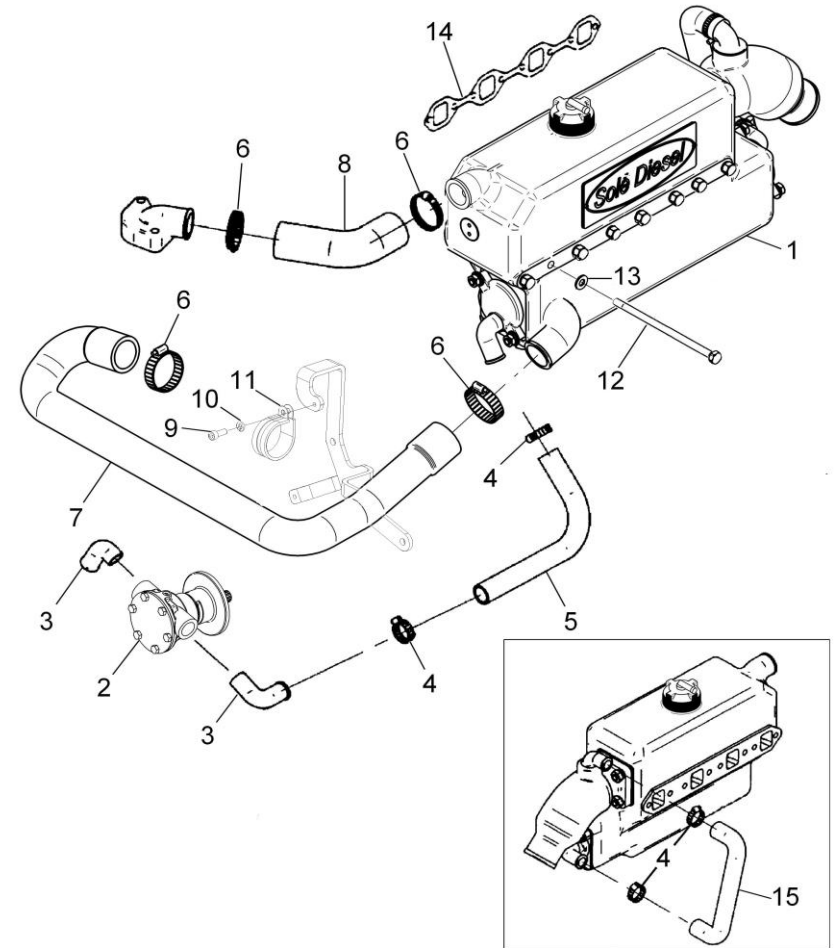


D_MID2_3_1		Water Pump				
FIG.	REF.	QTY	DESCR.	FROM	UPTO	
1	17221020	1	Fresh Water Pump			
1AA	52102159	2	Bolt DIN 933 M6-30 8.8			
1AB	53033006	6	Washer GROWER DIN 127-6			
1B	17321005	1	Joint Assy, Water			
1BA	17321007	1	Plug, Taper			
1C	13221041	1	Gasket Water Pump			
1D	13221042	1	Plate Water Pump			
2	13221022	1	Gasket Water Pump			
3A	52101262	3	Bolt DIN 931 M8-45 8.8			
3B	53033008	7	Washer GROWER DIN 127-8			
4A	52101265	1	Bolt DIN 931 M8-60 8.8			
5	17221021	1	Pulley,Water Pump			
6	17221037	1	Assy Thermostat			
7	17221033	2	Gasket, Thermostat Case			
8A	13224062	3	Bolt			
9	17221025	1	Hose Assy			
9A	17824029	2	Clip,Hose			
9B	17221024	1	Elbow			
10A	52102155	4	Bolt DIN 933 M6-12 8.8			
11	17221031	1	Gasket,Thermostat			
12	17221040	1	Thermostat			
13	17211020	1	Fitting, Water Outlet			
14A	52101260	2	Bolt DIN 931 M8-35 8.8			
14B	53038008	2	Washer DIN 6798-A 8			
15	17121013	1	Gasket			
16	17121016	1	Plug, drain			
17	56000073	2	Copper Washer 16-23-1,5			
18	60900980	1	Temperature Sensor			
19	60900070	1	Thermo-Switch 97°C			



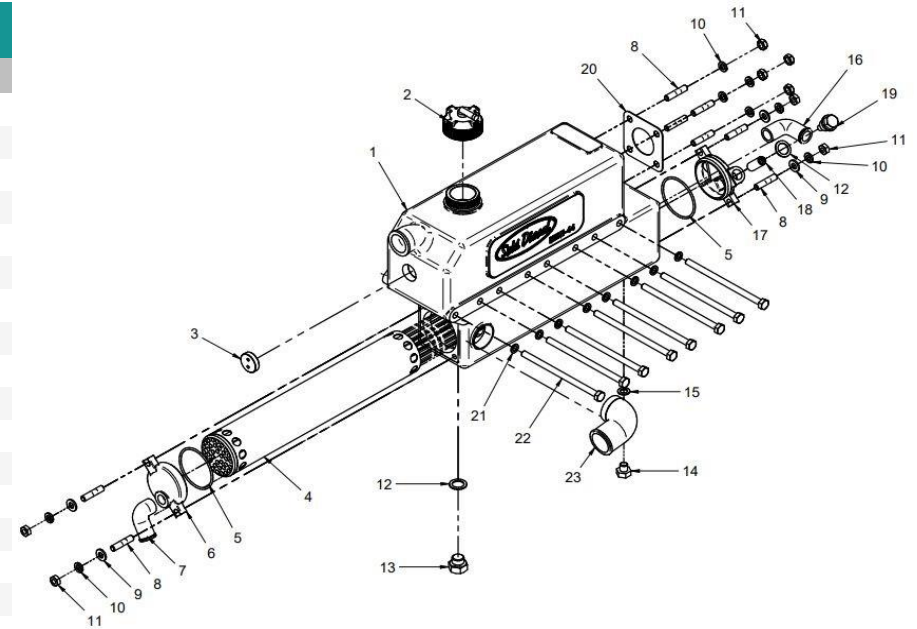


D_MID2_3_2		Cooler Pipes				
FIG.	REF.	QTY	DESCR.	FROM	UPTO	
1	17311002R	1	Water Cooler Assy MINI-44 (Spare Part)			
2	37611000	1	Splined Pump 1/2" MINI-11/17/29/33/44			
3	13811027	2	Elbow 1/2"			
4	54081016	4	Clamp DIN 3017 16-27/9 W4			
5	17011012	1	Elbow			
6	54082032	4	Clamp DIN 3017 32-50/12 W4			
7	17211006	1	Hose			
8	17211021	1	Elbow			
9	52103156	1	Bolt DIN 912 M6-16 8.8			
10	51030006	1	Washer DIN 125-6			
11	51071373	1	Clamp 31-40/15 W1			
12	54101323	8	Bolt DIN 931 M8-140 Inox.			
13	56000057	8	Washer 8-13-1,5			
14	17321035	1	Gasket			
15	17211034	1	Rubber WET Exhaust Inlet BEND			





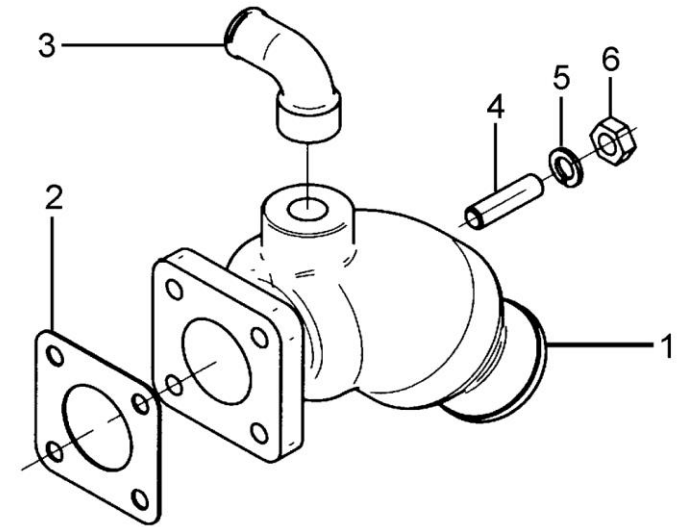
D_17311002R		Water Cooler Assy MINI-44 v6 from to 27/11/2020			
FIG.	REF.	QTY	DESCR.	FROM	UPTO
1	17311003	1	Body, Water Cooler [NP]		
2	13811010	1	Cap		
3	12113092	1	Plug		
4	17011004	1	Tubular Bundle		
5	13811007	2	O-Ring D. 57X2,5		
6	13811002	1	Water Cooler Cover		
7	13211027	1	Water Inlet Bend		
8	13311006	8	Stud,cover		
9	51030008	4	Washer DIN 125-8		
10	53033008	8	Washer GROWER DIN 127-8		
11	54120008	8	Nut DIN 934 M8		
12	56000073	2	Copper Washer 16-23-1,5		
13	12111076	1	Plug		
14	54102306	1	Bolt DIN 933 M10-16 INOX.		
15	56000061	1	Washer 10-16-1,5		
16	13211035	1	Exhaust Manifold Outlet Bend		
17	17211042	1	Water Cooler Cover		
18	13811043	1	Engine Anode 29.5 mm M.8		
19	18011009	1	Anode Plug		
20	15113043	1	Exhaust Elbow Gasket		
21	56000057	8	Washer 8-13-1,5		
22	54101323	8	Bolt DIN 931 M8-140 Inox.		
23	17111011	1	Elbow 1 1/8"		
NS	17311040	1	MINI-44 Cooling Adhesive [NS]		



[NP] Not provided

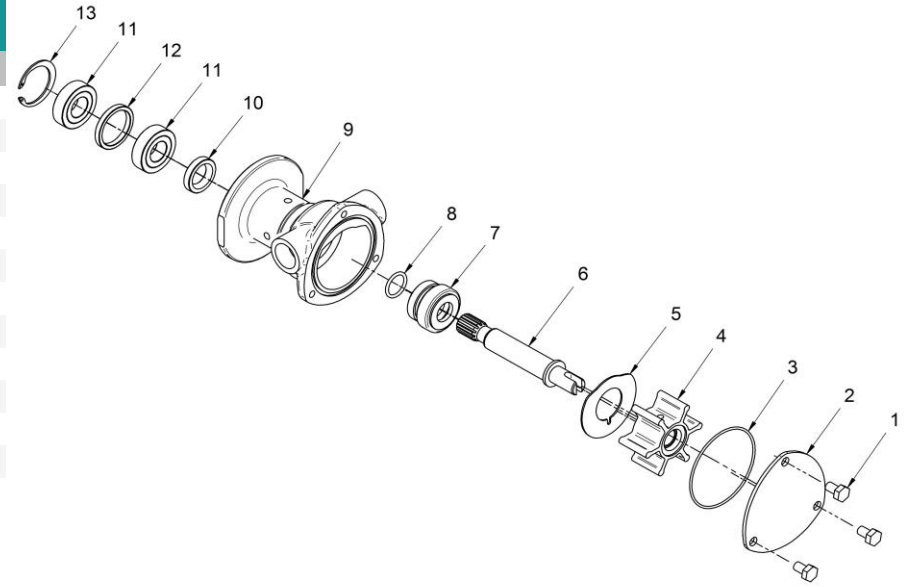
[NS] Not shown

D_MIC1_3_5		Wet Exhaust				
FIG.	REF.	QTY	DESCR.	FROM	UPTO	
1	17013015	1	Elbow,wet exhaust			
2	15113043	1	Exhaust Elbow Gasket			
3	17211028	1	Water Bend			
4	13311006	4	Stud,cover			
5	53033008	4	Washer GROWER DIN 127-8			
6	52120008	4	Nut DIN 934 M8 8.8			

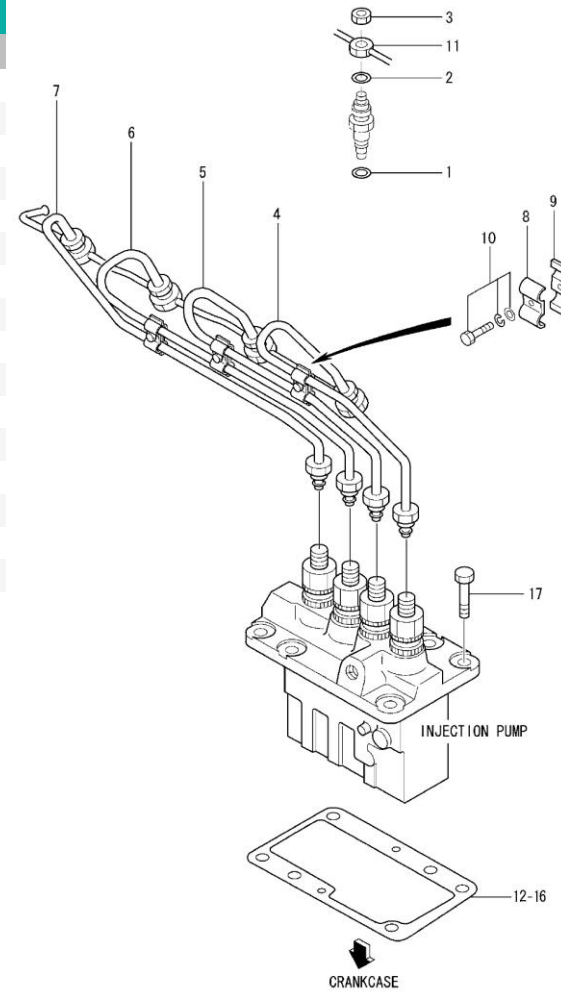




37611000		Splined Pump 1/2" MINI-11/17/29/33/44			
FIG.	REF.	QTY	DESCR.	FROM	UPTO
1	54102154	3	Bolt DIN 933 M6-10 INOX		
2	37611002	1	Cover Pump		
3	37611003	1	O-Ring D. 57x1,5		01/06/2022
4	31211008	1	1/2" Impeller		
5	37611026	1	Plate, Friction		
6	33811010	1	Shaft, Water Pump		
7	33411019	1	Seal		
8	33311013	1	O-Ring D. 15X2		
9	37611001	1	Body, Water Pump 1/2"		
10	33411020	1	Seal		
11	33411014	2	Ball Bearing 6002-C3		
12	33811015	1	Spacer		
13	53041032	1	CIRClip DIN 472 I-32		

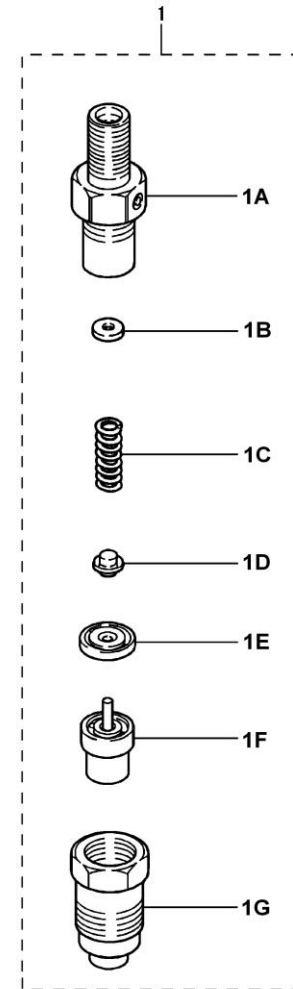


D_MID1_4_1 Fuel Pipe						
FIG.	REF.	QTY	DESCR.	FROM	UPTO	
1	13824013	4	Injector Washer			
2	13824025	4	Injector Gasket			
3	13824024	4	Nut			
4	17224015.4	1	Pipe Injection N.1			
5	17224016.4	1	Pipe Injection N.2			
6	17224019.4	1	Pipe Injection N.3			
7	17324020.1	1	Pipe Injection N.4			
8	13124018	3	Clamp (A)			
9	13124017	3	Clamp (B)			
10	13124019	3	Bolt			
11	17324002	1	Assy,Fuel Return			
12	13224008	0	Shim Adjusting T=0,7mm [VAR]			
13	13224009	0	Shim Adjusting T=0,8mm [VAR]			
14	13224010	0	Shim Adjusting T=0,9mm [VAR]			
15	13224011	0	Shim Adjusting T=1,0mm [VAR]			
16	13224003	0	Shim Adjusting T=0,2mm [VAR]			
17	52102257	6	Bolt DIN 933 M8-20 8.8			



[VAR] Variable according to repair

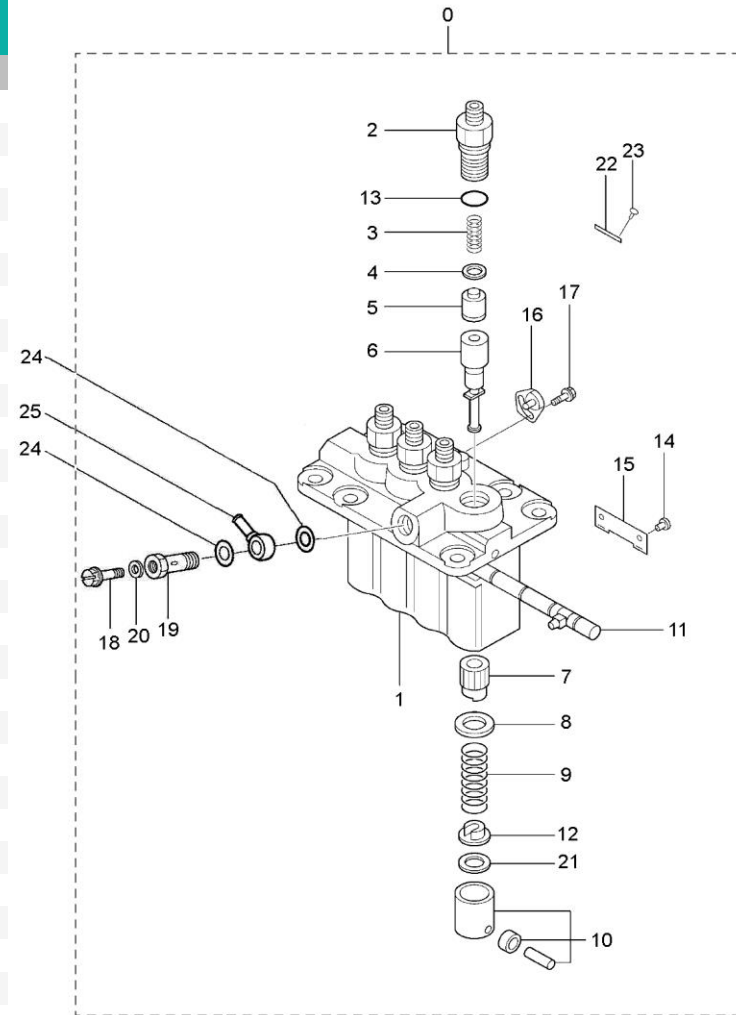
D_MID1_4_2		Injection Nozzle				
FIG.	REF.	QTY	DESCR.	FROM	UPTO	
1	13826001	4	Nozzle & Holder A			
1A	13826002	4	Body Assy			
1BA	13826010	0	Washer 1,25 [VAR]			
1BB	13826011	0	Washer 1,30 [VAR]			
1BC	13826012	0	Washer 1,35 [VAR]			
1BD	13826013	0	Washer 1,40 [VAR]			
1BE	13826014	0	Washer 1,45 [NP] [VAR]			
1BF	13826015	0	Washer 1,50 [VAR]			
1BG	13826016	0	Washer 1,55 [VAR]			
1BH	13826017	0	Washer 1,60 [VAR]			
1BI	13826019	0	Washer 1,65 [VAR]			
1BJ	13826020	0	Washer 1,70 [VAR]			
1C	17226004	4	Spring, Pressure [NP]			
1D	13826003	4	Pin Pressure			
1E	13826007	4	PIECE DISTANCE			
1F	13826018	4	Nozzle Assy			
1G	17226006	4	Nut, Nozzle RETAINING			



[NP] Not provided

[VAR] Variable according to repair

D_MID1_4_3		Fuel Injection Pump				
FIG.	REF.	QTY	DESCR.	FROM	UPTO	
0	17325001.1	1	Pump Assy,Fuel Injection			
1	17325005G	1	Housing SUB Assy			
2	17325004.1	4	Holder,DELIVERY			
3	17325002.1	4	Spring,DELIVERY			
4	13125007	4	Gasket DELIVERY V			
5	17225008G	4	Valve SUB-Assy (Generator)			
6	17325009.1	4	Element SUB Assy			
7	13125010	4	SLEEVE			
8	13125011	4	Seat Spring Upper			
9	13125012	4	Spring Plunger			
10	13125021	4	Tappet SUB Assy			
11	17025006	1	RACK Control			
12	13125013	3	Seat Spring LOWER			
13	13125033	3	O-Ring D. 15X2,5			
14	13125022	3	Pin Tappet Guide			
15	13125023	1	Plate			
16	13125030	3	Plate Assy Pressure			
17	17225028	3	Bolt, With Washer			
18	17225026.3	1	Screw Air BLEEDER			
19	17325027.1	1	Screw,HOLLOW			
20	17225025.3	1	Washer DRAIN Screw			
21A	13125014	0	Shim T=0,60 [VAR]			
21B	13125015	0	Shim T=0,2 [VAR]			
21C	13125016	0	Shim Adjusting T=0,3 [VAR]			
21D	13125017	0	Shim T=0,4 [VAR]			
21E	13125018	0	Shim T=0,5 [VAR]			
21F	13125019	0	Shim Adjusting T=0,25 [VAR]			
21G	13125020	0	Shim Adjusting T=0,35 [VAR]			
22	(*)	1	Not available [NP]			
23	13125003	1	RIVET [NP]			
24	13224001	2	Washer			
25	17324017.4	1	COLOR, Union			

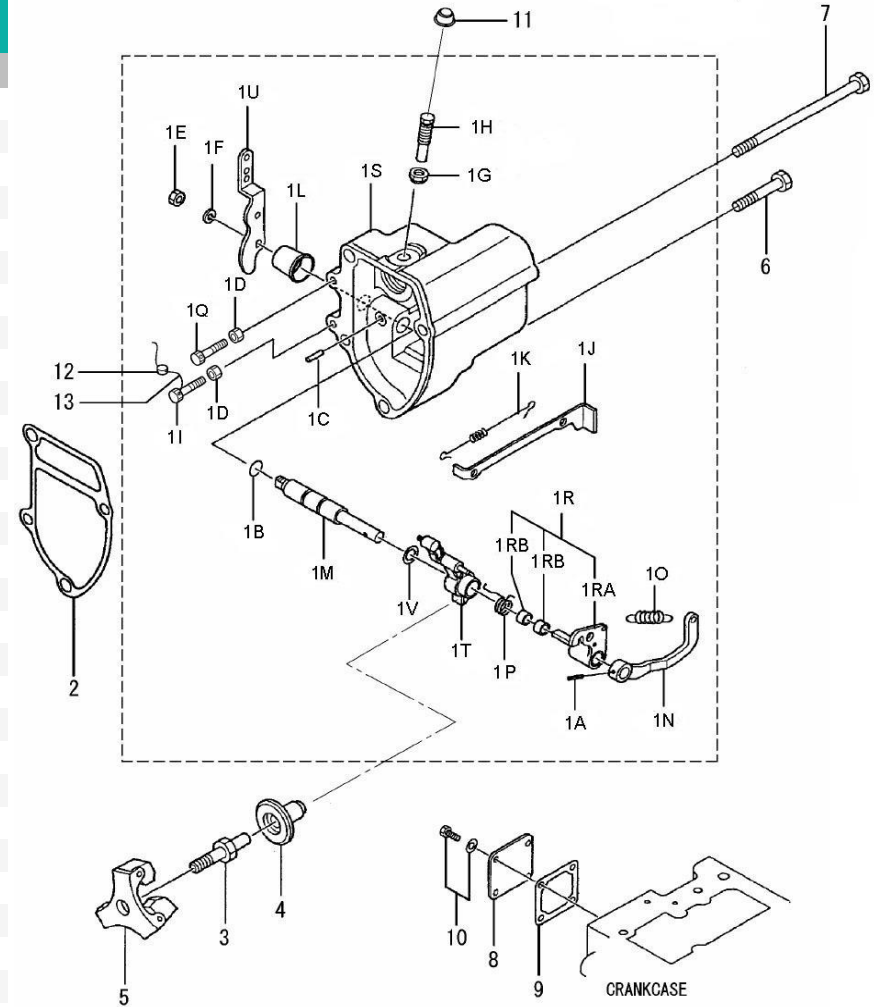


[NP] Not provided

[VAR] Variable according to repair



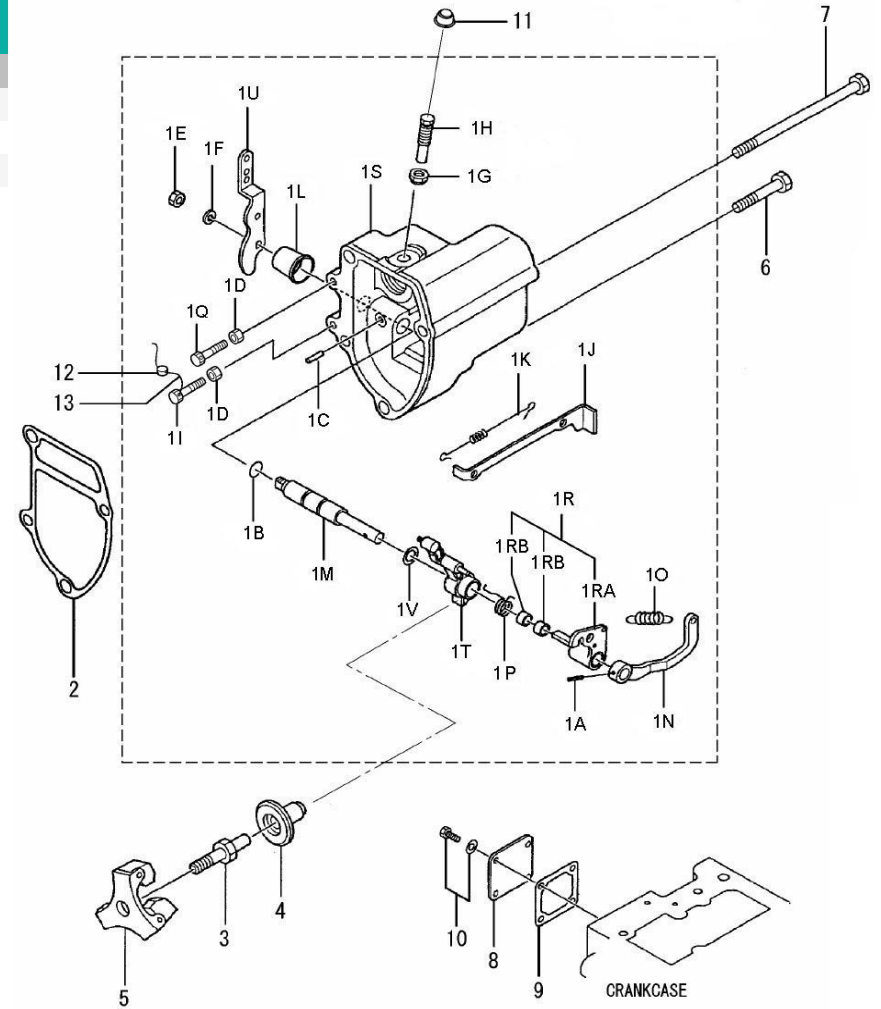
D_MID1_4_4		Governor Parts			
FIG.	REF.	QTY	DESCR.	FROM	UPTO
1	17323000.4	1	Case Assy, Governor		
1A	17323009.4	1	Pin, Spring		
1B	17323046.4	1	O-Ring		
1C	17323010.4	2	Pin GROOVED		
1D	17323032.4	2	Nut		
1E	17223030	1	Nut		
1F	53033008	1	Washer GROWER DIN 127-8		
1G	17223035	1	Nut		
1H	13823034	1	RACK Set Screw (new)		
1I	17323017.4	1	Bolt		
1J	17323048.4	2	Lever TIE-ROD		
1K	17323049	1	Spring TIE-ROD		
1L	17323036.4	1	Cover, Governor		
1M	17223006	1	Shaft, GOverNOR		
1N	17323003.4	1	Lever, Governor		
1O	17223044	1	Spring, GOverNOR		
1P	17223028	1	Spring		
1Q	17323025.4	1	Bolt LOW IDLE Set		
1R	(*)	1	Not available [NP]		
1RA	17323029.4	1	Lever Assy		
1RB	13220034	2	Roller Bearings		
1S	17223019.4	1	Case, Governor		
1T	17223007	1	Lever, Governor		
1U	17223008.4	1	Lever, SPEED		
1V	17323047.4	1	Shim, Governor Shaft		
2	17223033G	1	Gasket, GOverNOR Case		
3	17223050	1	Shaft, SLIDING SLEEVE		
4	17223031	1	SLEEVE, SLIDING		
5	17223001	1	WEIGHT Assy, GOverNOR		
6	17220034.4	3	Bolt		
7	17223052.4	1	Bolt, Governor Case		
8	17223043.4	1	Cover TIE-ROD		
9	13223014	1	Gasket Cover		
10A	52102256	4	Bolt DIN 933 M8-16 8.8		
10B	53033006	4	Washer GROWER DIN 127-6		



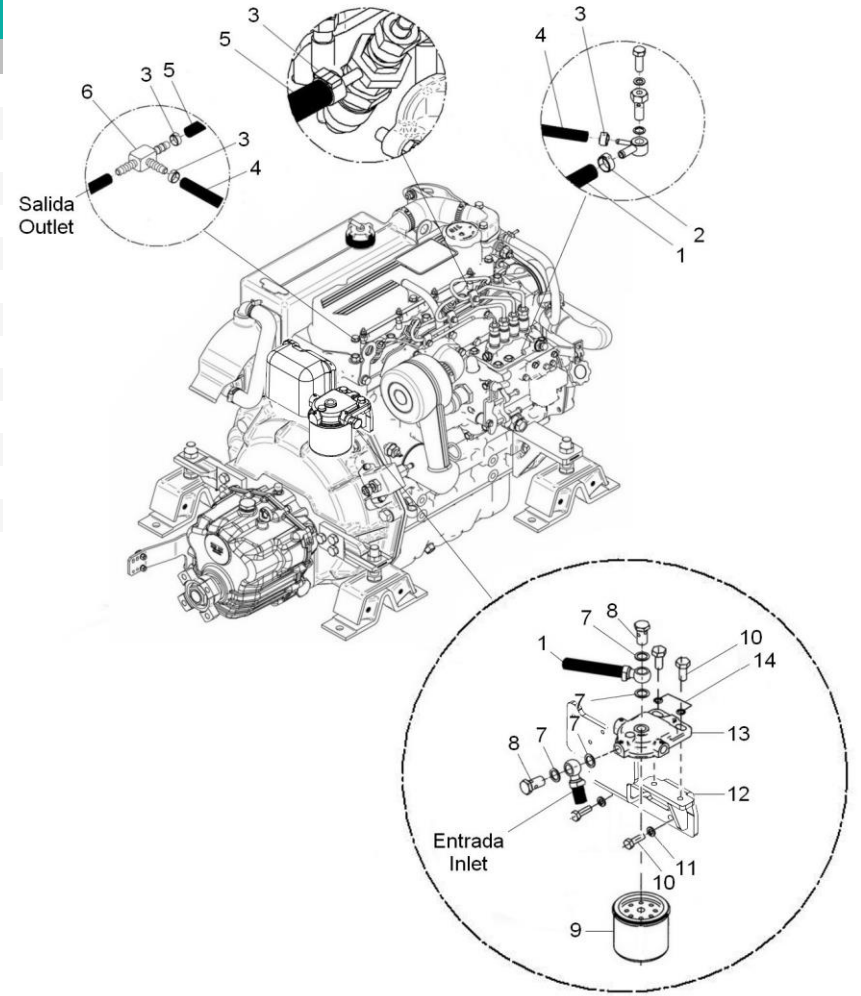
[NP] Not provided



D_MID1_4_4		Governor Parts				
FIG.	REF.	QTY	DESCR.	FROM	UPTO	
11	13823042	1	Cap TORQUE Set SE			
12	17623020.4	1	Metal, Fuel			
13	17323019.4	1	Wire			

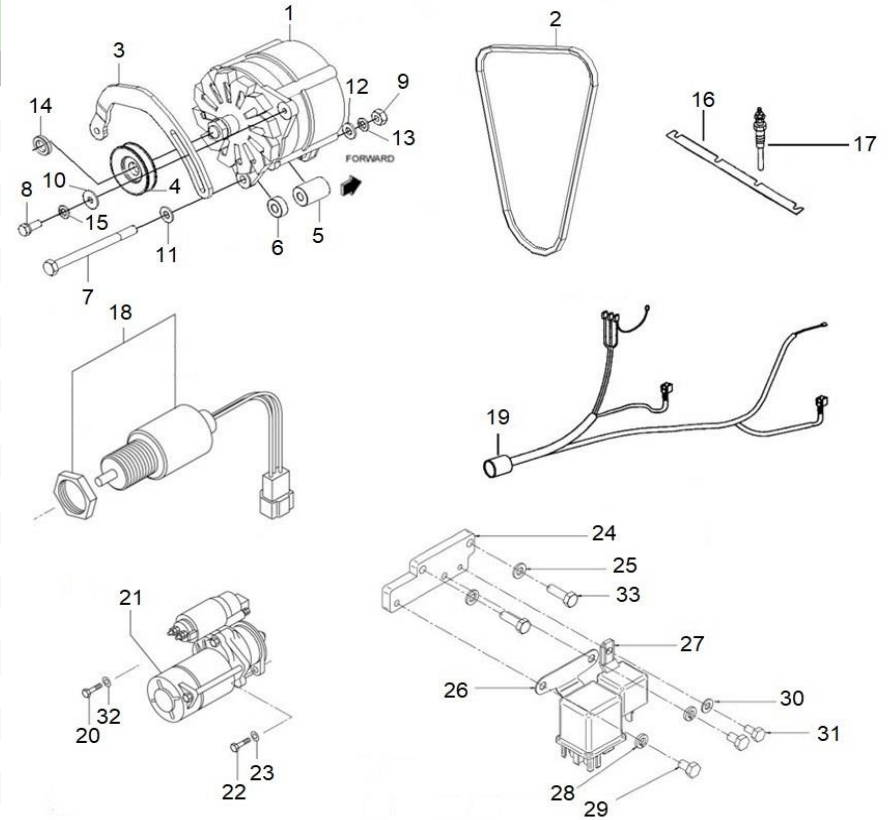


D_MID2_4_5		Fuel Supply Parts				
FIG.	REF.	QTY	DESCR.	FROM	UPTO	
1	17314017.4	1	Pipe, Filter TO INJ. Pump			
2	51086016	1	ONE EAR Clamp With INTERIOR Ring 14-16,3			
3	51086011	4	ONE EAR Clamp With Interior Ring 9-10,5			
4	17314027	1	0,48 M. Hose			
5	17614026	1	0,04 M. Hose			
6	17614028	1	Bypass "T"			
7	57000369	4	Washer 14,2-20-1,5			
8	12814051	2	Screw,eye			
9	13114022	1	Fuel Filter Element from MINI 10 to 55			
10	52102257	4	Bolt DIN 933 M8-20 8.8			
11	53033008	2	Washer GROWER DIN 127-8			
12	17317004	1	Relay-Fuel Filter Bracket			
13	13114020	1	Cover,filter			
14	51031008	2	Washer DIN 9021 8			





D_MI44GST3ST_05_1 Electrical System 12V						
FIG.	REF.	QTY	DESCR.	FROM	UPTO	
1	17217057	1	Alt. 14V/120A			
2	17217058	1	Belt Type ZX 37,5 975			
3	17217056	1	Plate			
4	13817019	1	Pulley Alternator			
5	17217020	1	Spacer 10,5X25X36			
6	19017018	1	Spacer 10,5X24X10			
7	52101326	1	Bolt DIN 931 M10-130 8.8			
8	52102257	1	Bolt DIN 933 M8-20 8.8			
9	52120010	1	Nut DIN 934 M10 8.8			
10	51031008	1	Washer DIN 9021 8			
11	53038010	1	Washer DIN 6798-A 10			
12	51030010	1	Washer DIN 125-10			
13	53033010	1	Washer GROWER DIN 127-10			
14	13817017	1	Spacer 17X28X5,5			
15	53033008	1	Washer GROWER DIN 127-8			
16	17327018.4	1	Plate, Connection			
17	17127017	4	Plug, glow			
18	17224025G	1	SOLENOID & Nut Set (Generator)			
19	60972502	1	Genset Electrical Wiring MINI-33/44			
20	52120008	1	Nut DIN 934 M8 8.8			
21	17227001.2	1	Starter Assy 12 V			
22	52202308	2	Screw DIN 961 8.8 M-10/1,25X25			
23	53033012	2	Washer Grower DIN 127-12			
24	17217001G	1	Support, Relay			
25	53033006	2	Washer GROWER DIN 127-6			
26	13827005	1	Glow Relay			
27	18217005	1	Relay 12V 12-100			
28	51030006	2	Washer DIN 125-6			
29	52102154	2	Bolt DIN 933 M6-10 8.8			
30	51030005	1	Washer DIN 125-5			
31	52102104	1	Bolt DIN 933 M5-10 8.8			
32	51030008	1	Washer DIN 125-8			
33	52102157	2	Bolt DIN 933 M6-20 8.8			

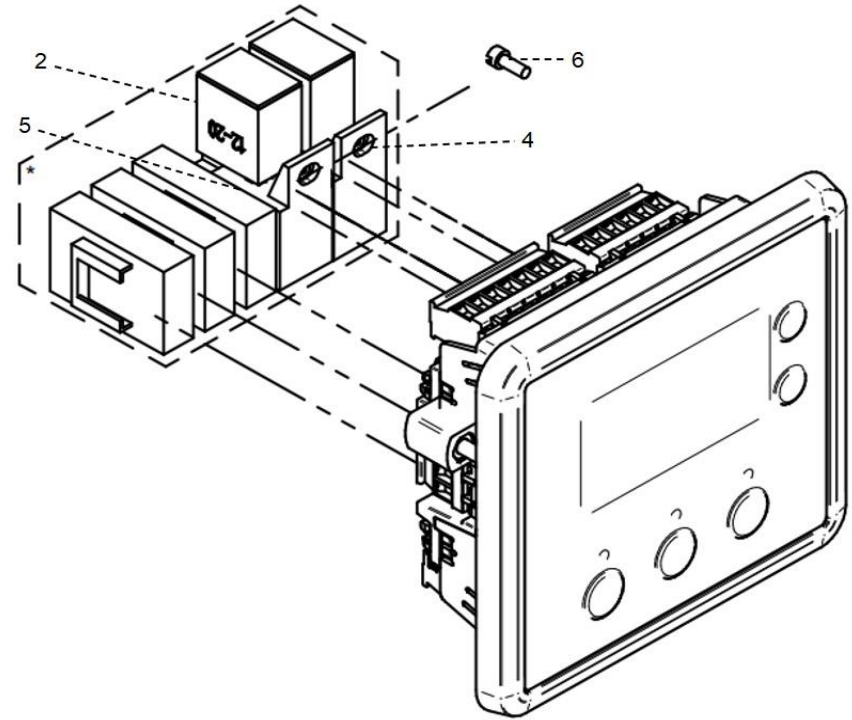




D_MI44GST3ST_05_5 Panels for Genset						
FIG.	REF.	QTY	DESCR.	FROM	UPTO	
1A	61973230.3S	1	Panel SCO 5 G-25M-3 12V 230V			
1B	61973400.3S	1	Panel SCO 5 G-25T-3 12V 400/230V			



D_PANELGRUP02_01 Panel Components for Genset						
FIG.	REF.	QTY	DESCR.	FROM	UPTO	
2A	60900091	4	MICRO Relay 12V 12-20			
<i>Figure A for 12V System</i>						
2B	60900092	4	MICRO Relay 24V 24-10			
<i>Figure b for 24V System</i>						
4	51030005	2	Washer DIN 125-5			
5	61900001	1	Rail Guide For Modular Micro Relay Holder - Fusible Holder		29/03/2023	
5	61900002	1	Rail Guide For Modular Micro Relay Holder - Fusible F		29/03/2023	
6	51918054	2	Bolt DIN 7981C 3,5-9,5			
NS	60972112	1	Wiring BRIDGE MONOF. Panel COMAP [NS]			
NS	60972123	1	Electrical System Back Panel SCO 5 [NS]			
NS	61972124	1	SCO 5 Panel Screw Bracket [NS]			



[NS] Not shown

D_W1C1_1_1		Genset Extension				
FIG.	REF.	QTY	DESCR.	FROM	UPTO	
1A	60938210I	1	Genset Wiring Ext. 3 M. CPC			
1B	60985210I	1	Genset Wiring Ext. 4 M. CPC			
1C	60938221	1	Genset Wiring Ext. 6 M. CPC			
1D	60938212	1	Genset Wiring Ext. 8 M. CPC			
1E	60985210.12I	1	Genset Wiring Ext. 12 M. CPC			
1F	60985210.18I	1	Genset Wiring Ext. 18 M. CPC			
1G	60985210.24I	1	Genset Wiring Ext. 24 M. CPC			
1H	60985210.30I	1	Genset Wiring Ext. 30 M. CPC			
1I	60974552	1	3-way Wiring Wxtension for Auxiliary Kits 4 m			
1J	60900165	1	3-way Wiring Extension for Auxiliary Kits 6 m			
1K	60900166	1	3-way Wiring Extension for Auxiliary Kits 12 m			
1L	60900167	1	3-way Wiring Extension for Auxiliary Kits 24 m			
1M	60972104	1	Double Panel SCO 12 M. Harness			
1N	60972105	1	Double Panel SCO 24 M. Harness			
1O	60972110	1	Double Panel SCO 36 M. Harness			
1P	60972145	1	Double Panel SCO 45 M. Harness			

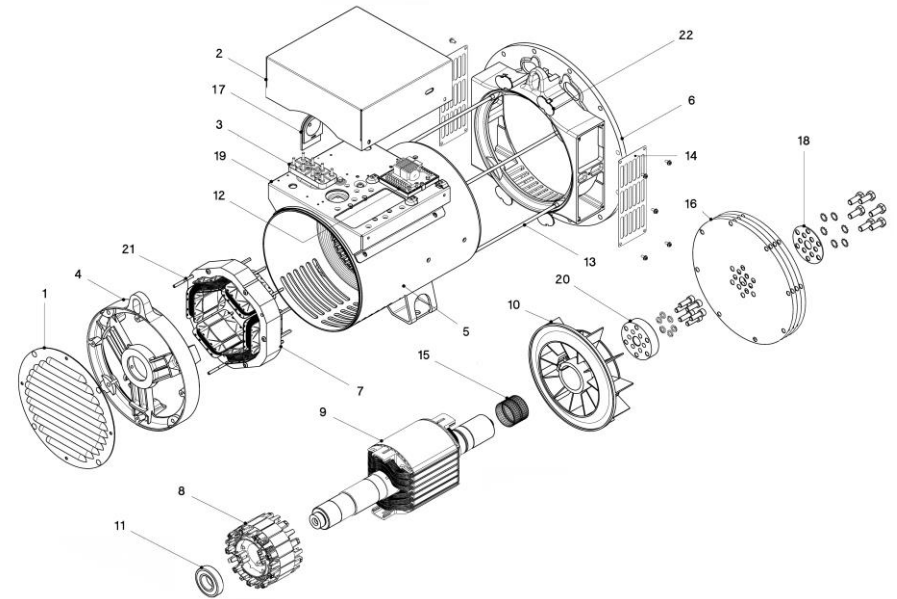


D_MI44GST3ST_06_1 Alternator G-25M-3 Y G-25T-3						
FIG.	REF.	QTY	DESCR.	FROM	UPTO	
1	60513126R	1	Al.MECC.ALTE I 25KVA 3000RPM 230V (R)			
2	60513329R	1	Alt.MECC.ALTE III 27KVA 3000 400/230 (R)			





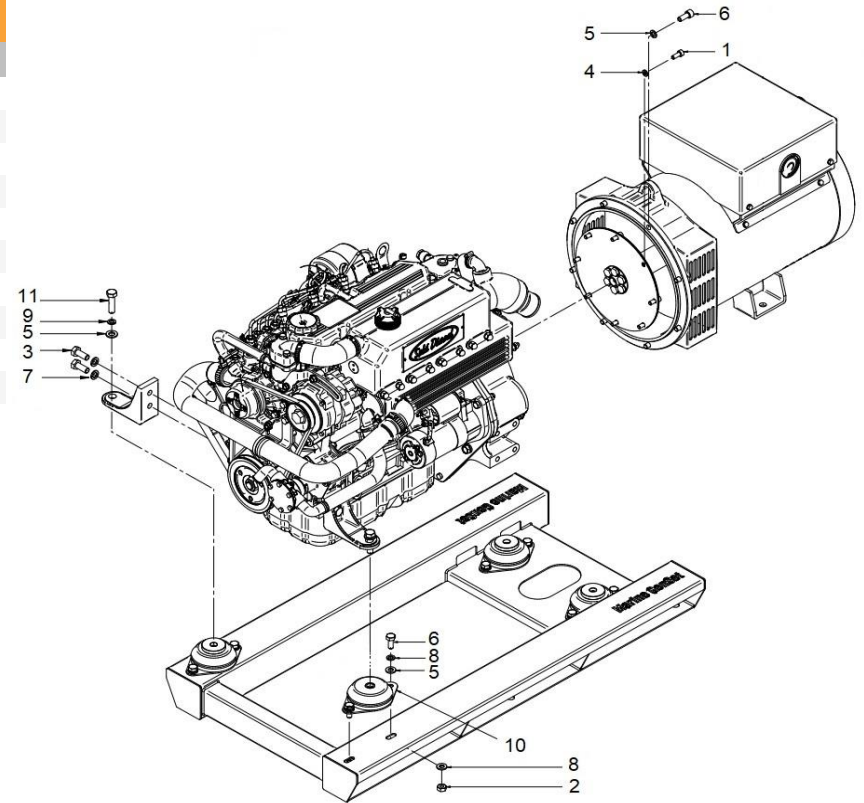
D_60513329 Alternator Spare Parts G-25M-3 & G-25T-3						
FIG.	REF.	QTY	DESCR.	FROM	UPTO	
1	60513329.1	1	Rear Seal [NP]			
2	60511320.1.2	1	Terminal Box LID			
3	60513329.3	1	Terminal Board 8 pin [NP]			
4	60511320.1.7	1	NON Drive END Bracket			
5	60513329.5	1	Frame and Stator 2L [NP]			
6	60511320.1.9	1	Drive END Bracket MD35 SAE5 [NP]			
7	60513329.7	1	Exciter Stator H-45 6P [NP]			
8	60513329.8	1	Exciter Armature H-45 6P [NP]			
9	60513329.9	1	Rotor Assy 2L MD35 [NP]			
10	60513329.10	1	Fan [NP]			
11	60513329.11	1	Rear Bearing 6207-2RS C3 [NP]			
12	60500023.1	1	Electronic Regulator DSR			
13	60513329.13	1	Cover Stay Bolt "L" [NP]			
14	60513329.14	2	Protection Screen SAE [NP]			
15	60513329.15	1	Fixing Ring SV 60-522 [NP]			
16	60513329.16	1	Fixing Ring SV 60-522 [NP]			
17	60513329.17	1	Cable Grommet [NP]			
18	60513316.16	1	Disc Locking Ring-Spacer [NP]			
19	60513329.19	1	Component-Carrying Panel [NP]			
20	60513329.20	1	Ring Spacer Vol. 8 - 10 [NP]			
21	60513329.21	1	Exciter Stay Bolt [NP]			
22	60513329.22	1	Cap for MD35/3 D.E. Bracket [NP]			
NS	60511320.1.11	1	Diode [NS]			
NS	60513329.24	1	DI1 for DSR/DER1 + Cable DI1/Reg. [NS] [NP]			
NS	60513329.25	1	Front Bearing 6309-2RS C3 [NS] [NP]			



[NP] Not provided
 [NS] Not shown

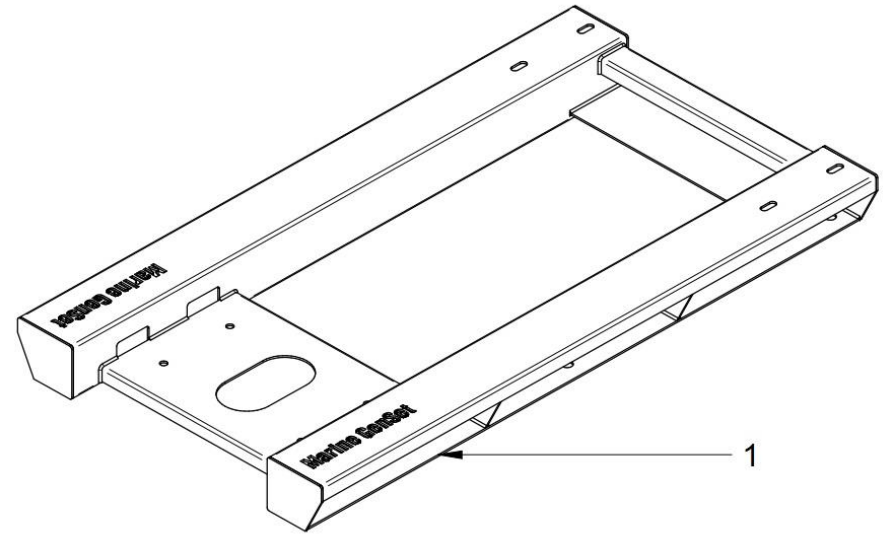


D_60573107 Alternator Kit						
FIG.	REF.	QTY	DESCR.	FROM	UPTO	
1	52103257	6	Bolt DIN 912 M8-20 8.8			
2	52120010	8	Nut DIN 934 M10 8.8			
3	52202359	5	Bolt DIN 933 M12-1,25-30 8.8			
4	53033008	6	Washer GROWER DIN 127-8			
5	53033010	8	Washer GROWER DIN 127-10			
6	52102307	8	Bolt DIN 933 M10-20 8.8			
7	53033012	4	Washer Grower DIN 127-12			
8	51030010	16	Washer DIN 125-10			
9	51030012	4	Washer DIN 125-12			
10	61673001	4	Engine Mount Type F 35 SHA M12 H 34			
11	52102362	4	Bolt DIN 933 M12-45 8.8			

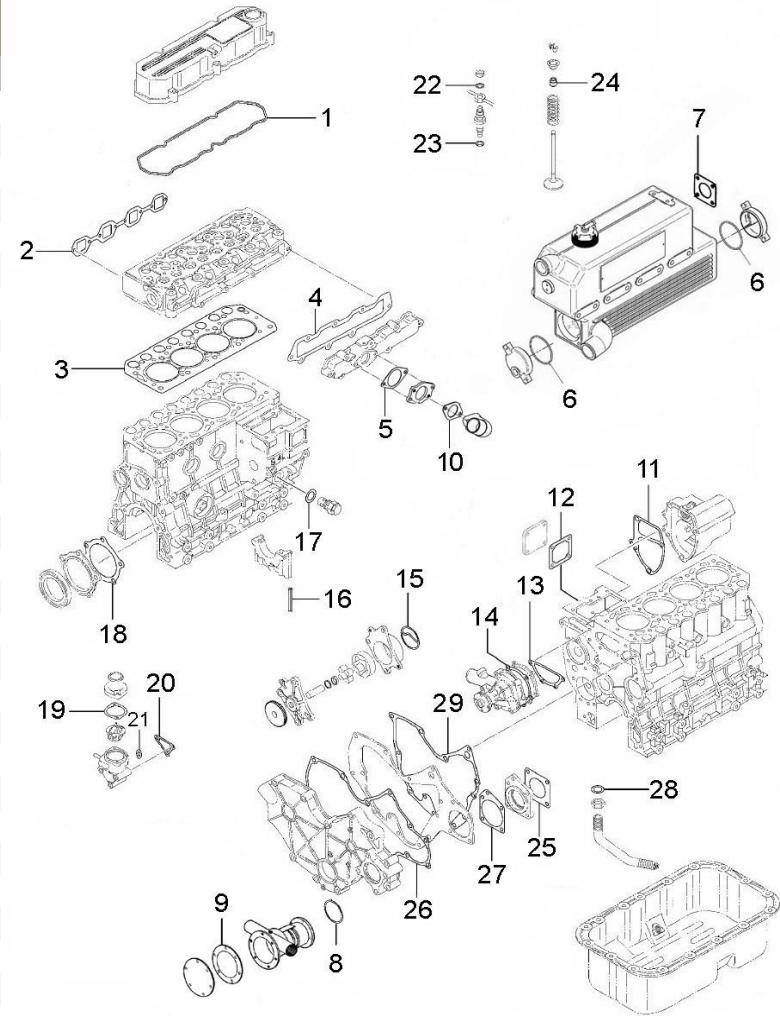




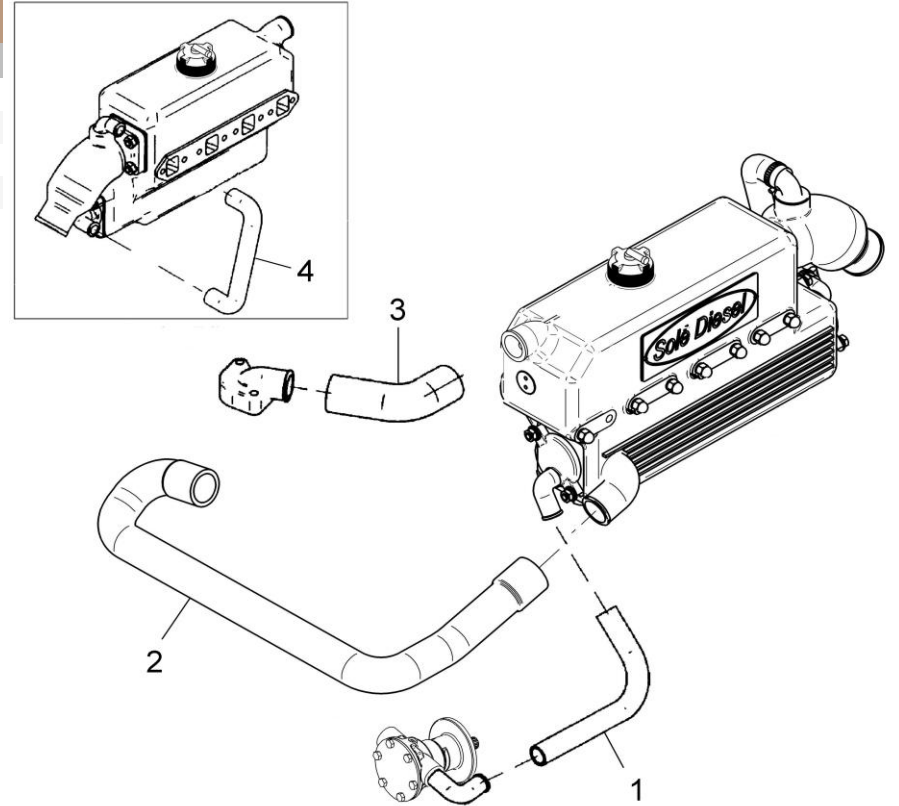
D_60573015		Genset Chassis			
FIG.	REF.	QTY	DESCR.	FROM	UPTO
1	60573015	1	G15M15/G15T15 MECCALTE CHASSIS		



D_17320101.4 Gasket Kit						
FIG.	REF.	QTY	DESCR.	FROM	UPTO	
1	17321010	1	Rocker Cover Gasket			
2	17321035	1	Gasket			
3	17321004	1	Gasket, Cylinder Head			
4	17321032.1	1	Gasket, Inlet Cover			
5	17321034.4	1	Pipe Inlet Gasket			
6	13811007	2	O-Ring D. 57X2,5			
7	15113043	1	Exhaust Elbow Gasket			
8	17011007	1	O-Ring D. 57X3			
9	31211003	1	Gasket Cover			
10	17221034	1	Gasket, Inlet Pipe			
11	17223033G	1	Gasket, GOverNOR Case			
12	13223014	1	Gasket Cover			
13	13221022	1	Gasket Water Pump			
14	13221042	1	Plate Water Pump			
15	17224041	1	Packing, Body			
16	17220002	4	Seal, Side			
17	17424063	1	Gasket			
18	17220016	1	Gasket, Oil Seal Case			
19	17221031	1	Gasket, Thermostat			
20	17221033	1	Gasket, Thermostat Case			
21	56000073	2	Copper Washer 16-23-1,5			
22	13824025	4	Injector Gasket			
23	13824013	4	Injector Washer			
24	13222054	8	Seal Valve Stem			
25	13120047	3	Gasket Water Pump			
26	17220040	1	Gasket, Gear Case			
27	17220038	1	Gasket, Housing			
28	17024001	1	Gasket			
29	17220018	1	Gasket, Front Plate			

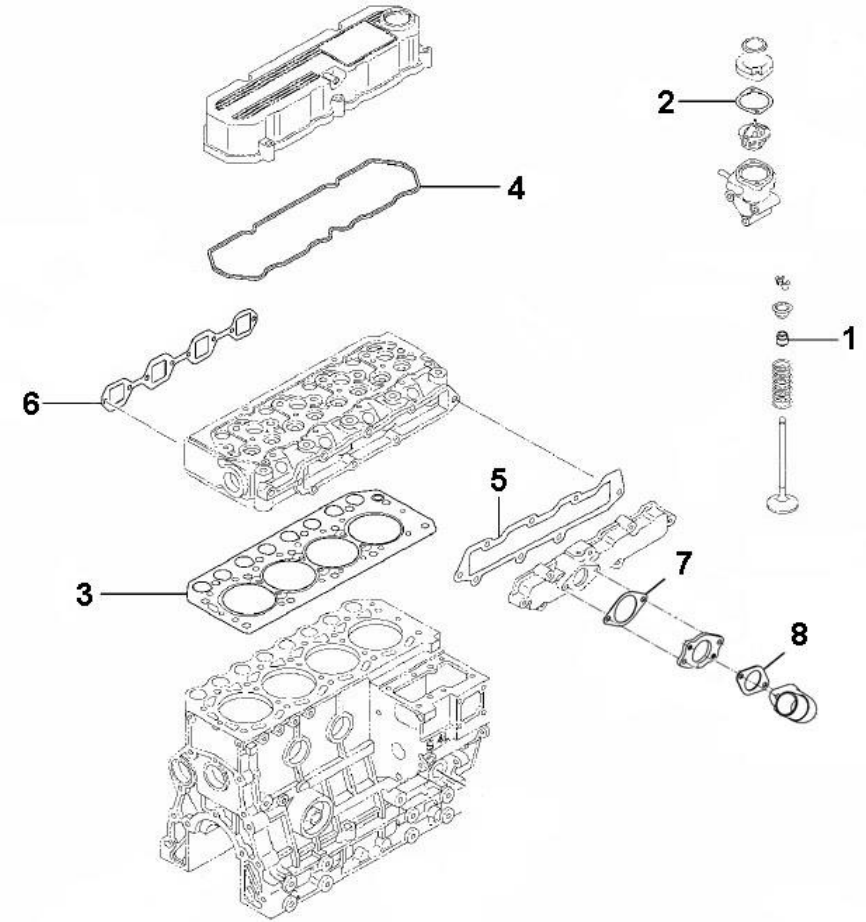


17211100.4		Pipe Rubber Set, Water Line				
FIG.	REF.	QTY	DESCR.	FROM	UPTO	
1	17011012	1	Elbow			
2	17211006	1	Hose			
3	17211021	1	Elbow			
4	17211034	1	Rubber WET Exhaust Inlet BEND			

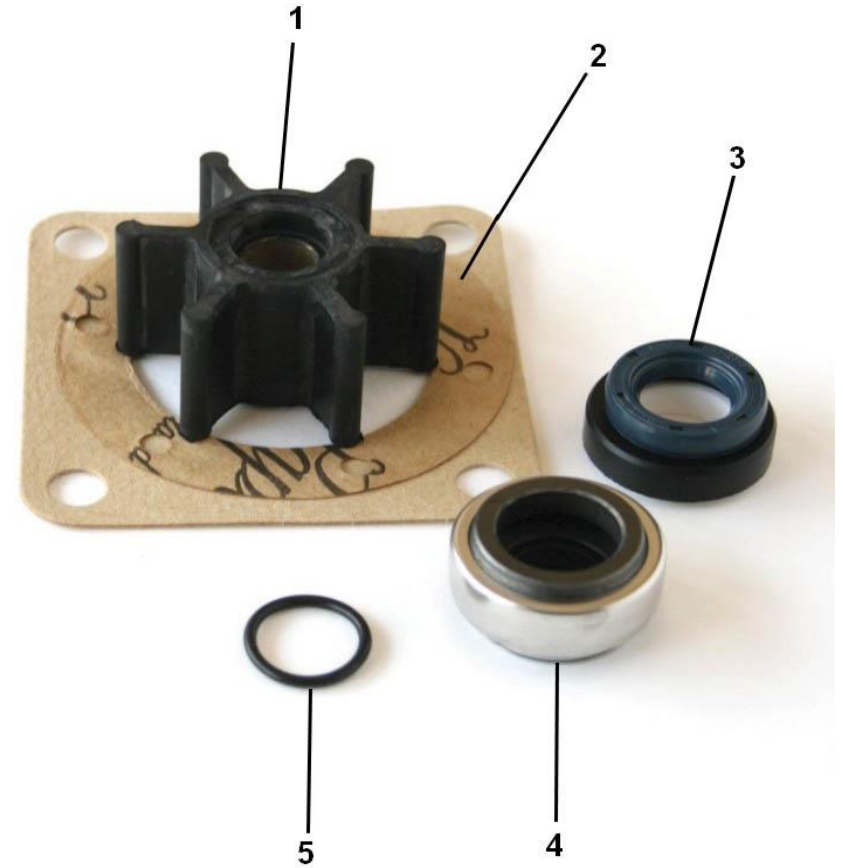




17320101.1.4 Gasket Set						
FIG.	REF.	QTY	DESCR.	FROM	UPTO	
1	13222054	8	Seal Valve Stem			
2	17221031	1	Gasket, Thermostat			
3	17321004	1	Gasket, Cylinder Head			
4	17321010	1	Rocker Cover Gasket			
5	17321032	1	Gasket, Inlet Cover			
6	17321035.1	1	Gasket			
7	17321034.4	1	Pipe Inlet Gasket			
8	17221034	1	Gasket, Inlet Pipe			



33811000K		Repair Kit Water Pump 1/2"				
FIG.	REF.	QTY	DESCR.	FROM	UPTO	
1	31211008	1	1/2" Impeller			
2	31211003	1	Gasket Cover			
3	33411020	1	Seal			
4	33411019	1	Seal			
5	33311013	1	O-Ring D. 15X2			
NS	17011007	1	O-Ring D. 57X3 [NS]			



[NS] Not shown

37611000K		Repair Kit Water Pump 1/2"				
FIG.	REF.	QTY	DESCR.	FROM	UPTO	
1	31211008	1	1/2" Impeller			
2	37611003	1	O-Ring D. 57x1,5		01/06/2022	
2	37611005	1	O-Ring D. 57X1,78	02/06/2022		
3	33411020	1	Seal			
4	33411019	1	Seal			
5	33311013	1	O-Ring D. 15X2			
NS	17011007	1	O-Ring D. 57X3 [NS]			



[NS] Not shown



D_UTILFA1229_1		Special Tools				
FIG.	REF.	QTY	DESCR.	FROM	UPTO	
1	UMM74007	1	Piston Ring Pliers			
2	U31A9100100	1	Piston pin setting tool			
3	UST332270	1	Compression Gauge Adapter			
4	UST332340	1	Camshaft Bushing Installer			

