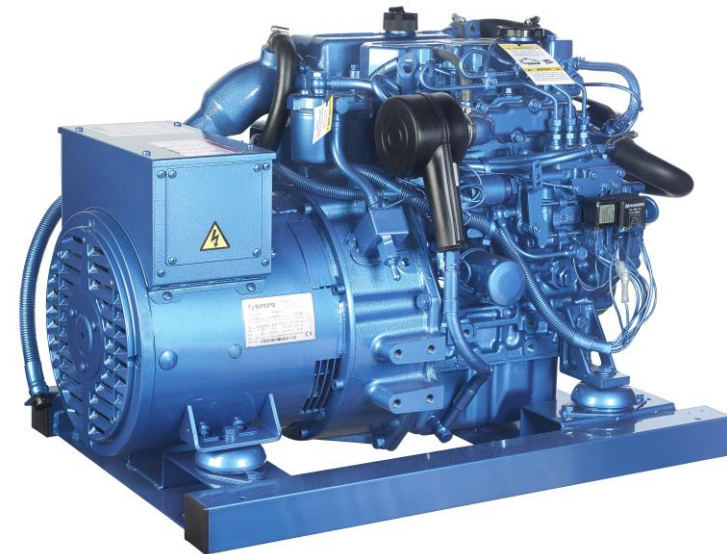




# Genset 11 GT/GTC & 14 GTA/GTAC

VERSION 2023-8

SPARE PARTS MANUAL



## PARTS LIST CATALOGUE

### NORMS TO PLACE AN ORDER:

For fast and more efficient service, please specify the following information on spare parts orders that must be preferably done by FAX or e-mail as specified below:

- 1- Engine model: As shown in identification plate
- 2- Engine serial number: As shown in identification plate and stamped on crankcase
- 3- Item description + part number + quantity required

---

### Spare parts requests must be addressed to:

[recambios@solediesel.com](mailto:recambios@solediesel.com)

Telf.: +34 93 775 44 05

Fax: +34 93 775 30 13

---

The components shown in the catalog have:

- Figure: Number by which they are represented in scheme
  - Description: Trade name of the component
  - Quantity: Total number of parts used in the assembly of the part represented (may differ from the total minimum quantities)
- Hoses, indicates the total length in meters
- 

*The diagrams shown in this catalog of spare parts, have only the purpose to identify the piece in question, its representation is not meaningful and may differ from the actual piece.*

*In case of doubt, contact Solé Diesel, or your authorized dealer.*

*The parts i / or references in this catalog are subject to change without notice.*

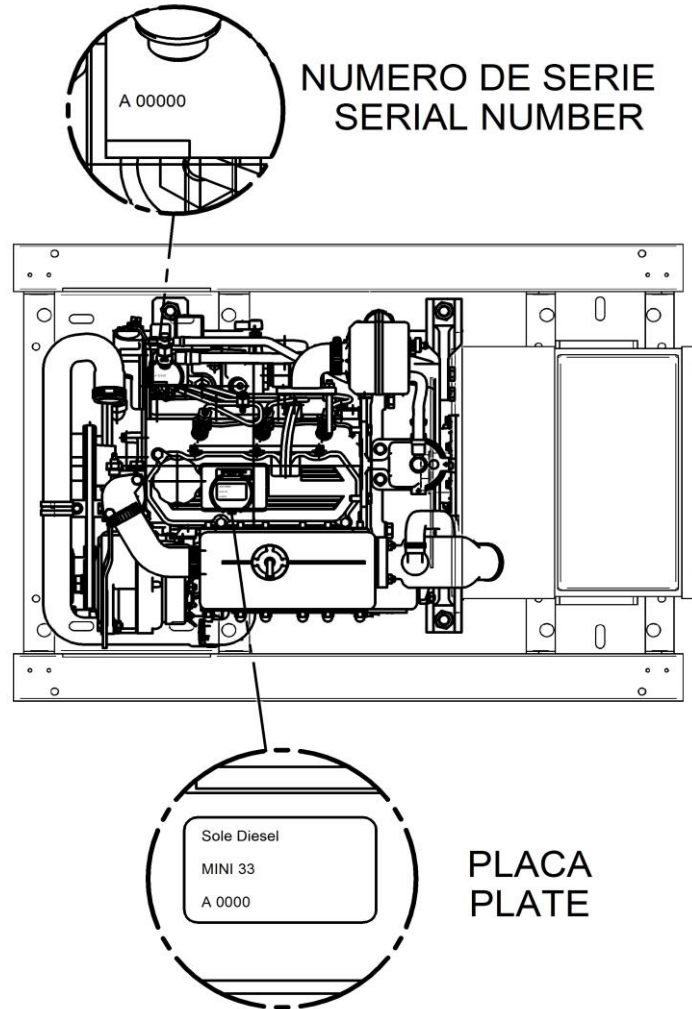
---

[SOLÉ.S.A.](http://www.solé.com)

C-243b, Km, 2 - P.O. BOX 15  
08760 Martorell (Barcelona) Spain

---

Download the latest version of this manual [HERE](#)



## Engine Body

Cylinder Head  
Rocker Cover & Breather  
Valve Drive  
Timing Parts  
Gear Case  
Crankcase  
Rear Plate  
Piston & Connection Rod  
Crankshaft & Flywheel  
Oil System  
Oil Pan  
Engine Brackets

## Inlet & Exhaust

Inlet

## Cooling System

Water Pump  
Cooler Pipes  
Water Cooler Assy MINI-33 (Spare Part)  
Water Cooler Assy MINI-33  
Wet Exhaust  
Splined Pump 1/2" MINI-11/17/29/33/44

## Fuel System

Fuel Pipe  
Injection Nozzle  
Fuel Injection Pump  
Governor Parts  
Fuel Supply Parts

## Electrical System

Electrical Wiring 12V  
Electrical Wiring 24V  
Panels for Genset  
Panel Components for Genset  
Genset Extension

## Genset Alternator Spare Parts

Alternator 11 GT/GTC Y 14 GTA/GTAC  
Alt.SINCRO III 11KVA 1500RPM 400/230V

## Genset Alternator Kit

Alternator Kit Without Canopy  
Alternator Kit Without Canopy

## Chassis Spare Parts

Genset Chassis

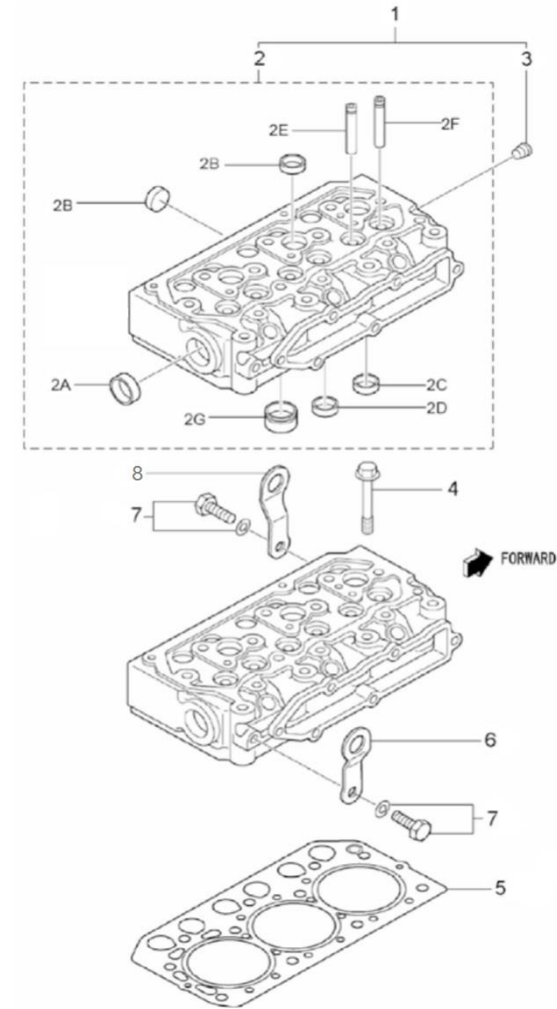
## Canopy Spare Parts

Cabin  
Kit Cabin

## Maintenance Kit

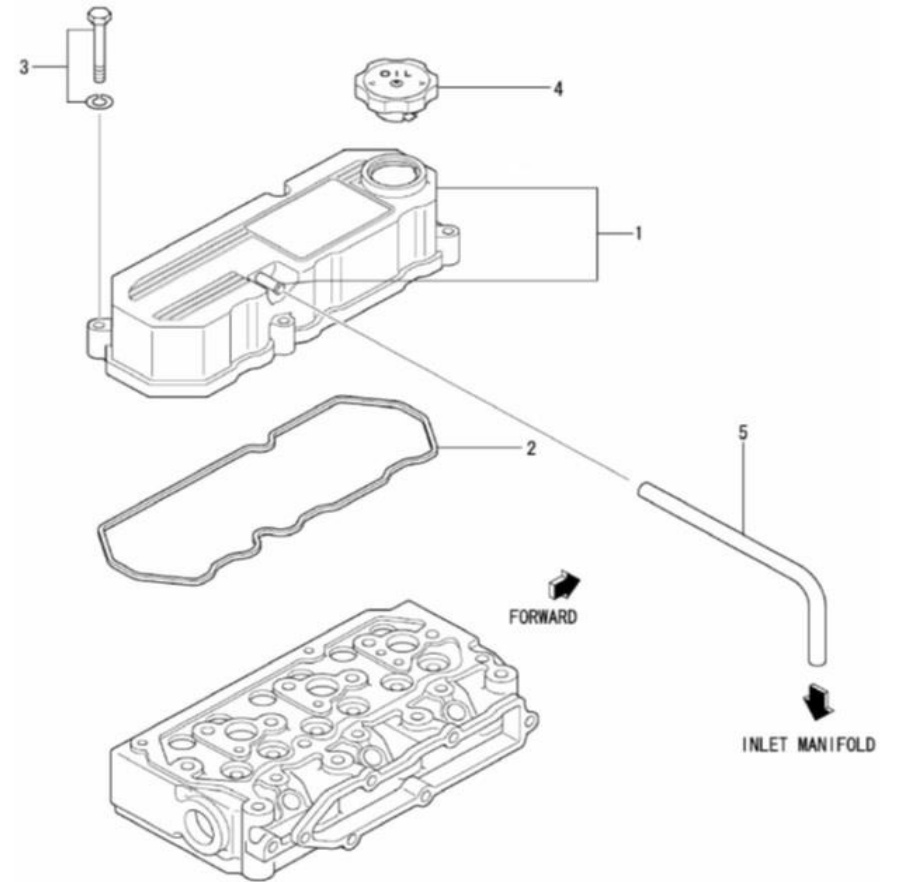
Gasket Kit  
Pipe Rubber Set, Water Line  
Repair Kit Water Pump 1/2"  
Repair Kit Water Pump 1/2"  
Special Tools

D_GC01_1_1		Cylinder Head				
FIG.	REF.	QTY	DESCR.	FROM	UPTO	
1	17221001G	1	Head Assy, Cylinder Generator			
2	(*)	7	Not available [NP]			
2A	17020012	1	Cap			
2B	13220012	5	Cap Sealing			
2E	17221002	3	Guide, Valve Exhaust			
2F	17221003	3	Guide, Valve, Inlet			
2G	17221015G	3	Jet, Combustion (Generator)			
3	17820011	1	Plug, Tapered			
4	17221005	11	Bolt,cylinder head			
5	17221004	1	Gasket, Cylinder Head			
6	13221011	1	HANGER Engine			
7	17720010	2	Bolt,W/Washer			
8	17210008	1	HANGER, Engine			



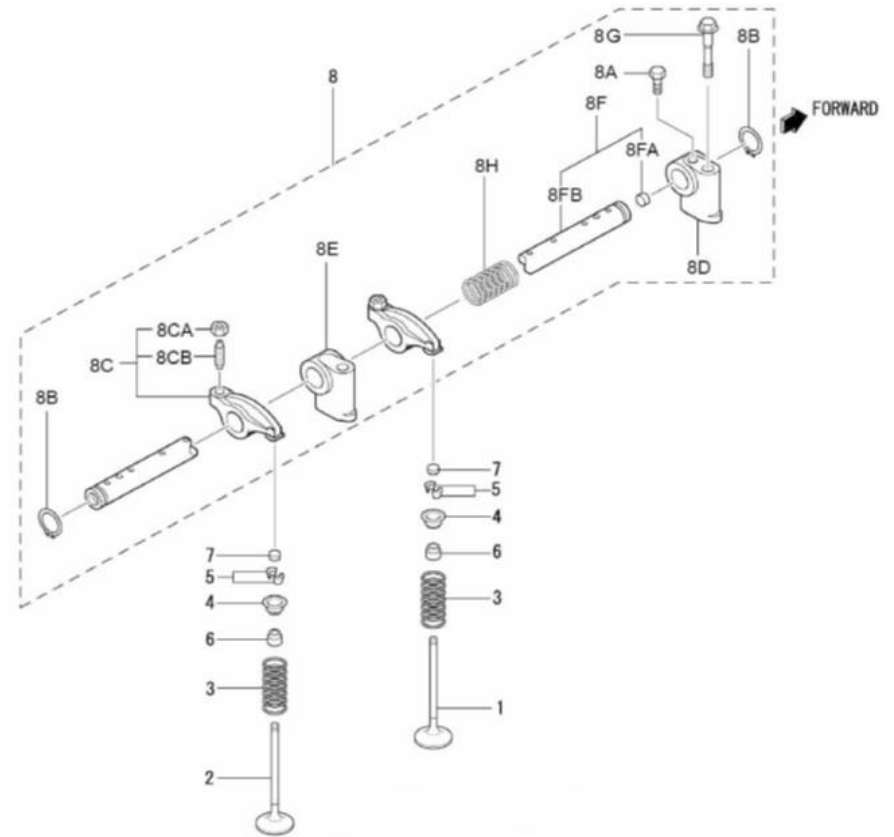
[NP] Not provided

D_GC01_1_2		Rocker Cover & Breather				
FIG.	REF.	QTY	DESCR.	FROM	UPTO	
1	17221009	1	Cover Assy, Rocker			
2	17221010	1	Gasket, Rocker Cover			
3	17421014G.1	4	Bolt W/Washer (Generator)			
4	17221003G	1	Cap Oil Filler			
5	17321006.4	1	Hose Breather			

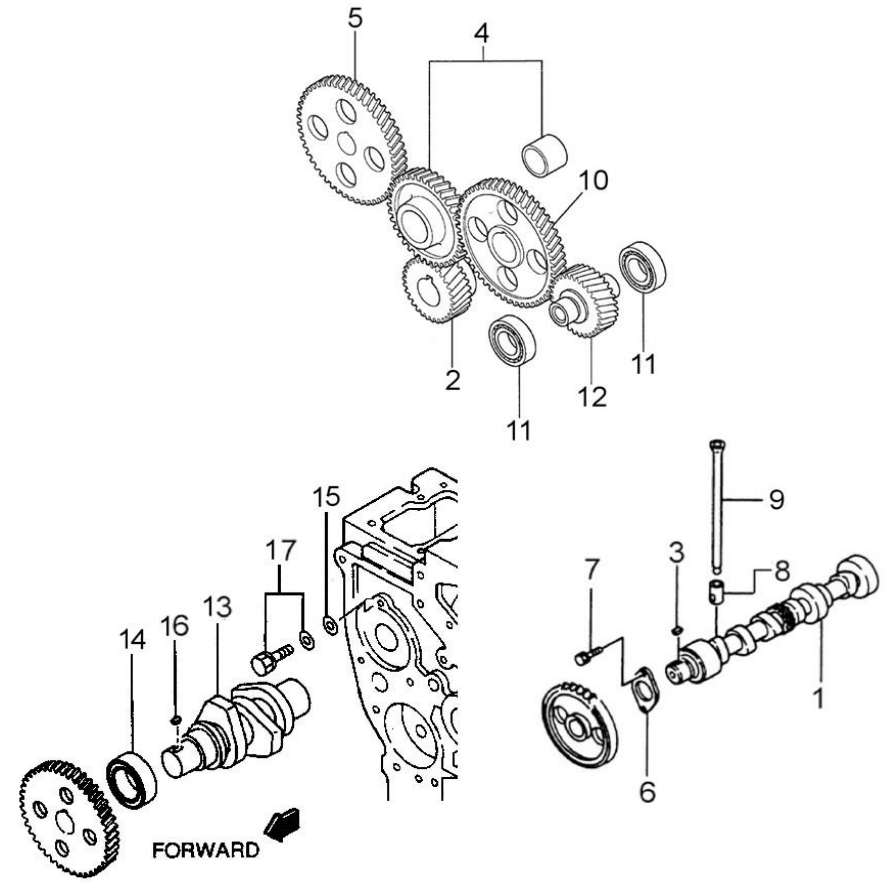




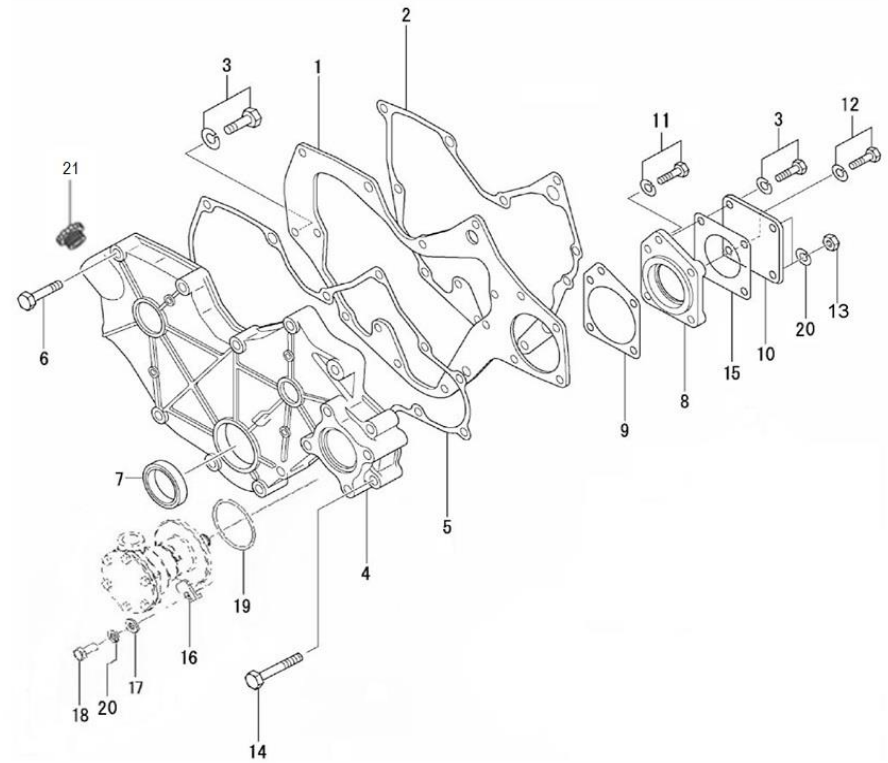
D_GC01_1_3		Valve Drive				
FIG.	REF.	QTY	DESCR.	FROM	UPTO	
1	17222055	3	Intake Valve			
2	17222056	3	Exhaust Valve			
3	17222057	6	Spring, Valve, INNER			
4	13822058	6	Retainer Valve SP			
5	13222059	12	Lock Valve			
6	13222054	6	Seal Valve Stem			
7	13822069	6	Cap Stem			
8	17222146	1	Rocker & Shaft Assy			
8A	17222053	1	Bolt			
8B	17222050	2	Ring, SNAP			
8C	17222142G	6	Rocker Assy			
8CA	17122060	6	Nut			
8CB	17122044	6	Screw Adjusting			
8D	17222048	1	Bracket, Rocker Shaft			
8F	17222049	2	Bracket, Rocker Shaft			
8FA	17222025	2	Cap, Sealing			
8G	17222053.4G	3	Bolt			
8H	17122047	2	Spring			



D_GC01_1_4		Timing Parts				
FIG.	REF.	QTY	DESCR.	FROM	UPTO	
1	17222035	1	CamShaft			
2	17222021	1	Gear, CrankShaft			
3	13222020	1	KEY			
4	17222038	1	Gear Assy, IDLER			
5	17222043	1	Gear, Injection Pump			
6	17422075	1	Plate,THRUST			
7	17821012	2	Bolt,W/Washer			
8	13222061	6	Tappet			
9	17222041	6	ROD, PUSH			
11	17022067	2	Ball Bearing 6205-C3			
12	17222066G.1	1	Gear, Pressure Oil Pump			
13	17222040	1	Shaft,Fuel INJ. Pump			
14	13222062	1	Ball Bearing 6228			
15	17222065	1	Washer			
16	17622060.4	1	Key, Sunk			
17	17422037G.1	1	Bolt W/Washer (Generator)			

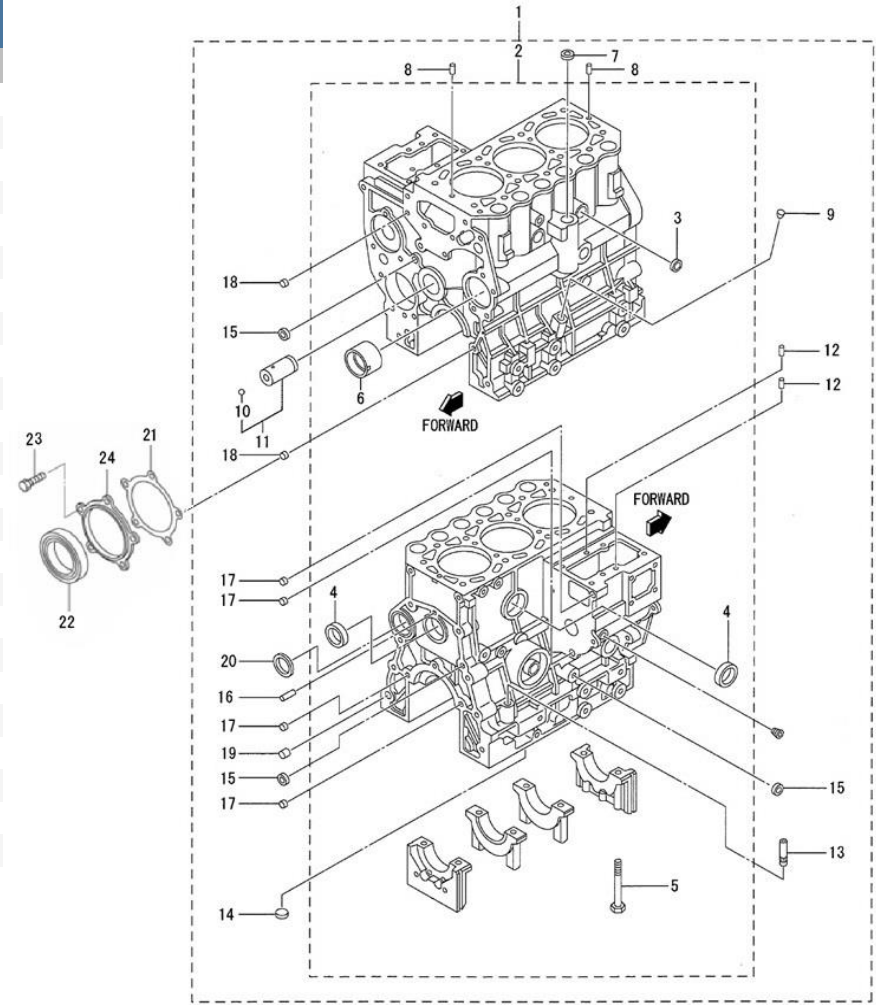


D_GC01_1_5		Gear Case				
FIG.	REF.	QTY	DESCR.	FROM	UPTO	
1	17220024	1	Plate, Front			
2	17220018	1	Gasket, Front Plate			
3	17821012	5	Bolt,W/Washer			
4	17220035	1	Case Gear			
5	17220040	1	Gasket, Gear Case			
6	17220034	8	Bolt			
7	13220039	1	Seal Oil			
8	17220037	1	Housing, Gear Pump			
9	17220038	1	Gasket, Housing			
10	13120046	2	Cover Oil Pump SH			
11	17822118	1	Bolt, Flange			
12	17201260	1	Bolt			
13	17120049	2	Nut M8			
14	17024062	2	Bolt			
15	13120047	2	Gasket Water Pump			
16	13811062	4	Pump Bracket			
17	51030008	4	Washer DIN 125-8			
18	52102257	4	Bolt DIN 933 M8-20 8.8			
19	17011007	1	O-Ring D. 57X3			
20	53033008	14	Washer GROWER DIN 127-8			
21	17621003	1	Cap Oil FILLER			



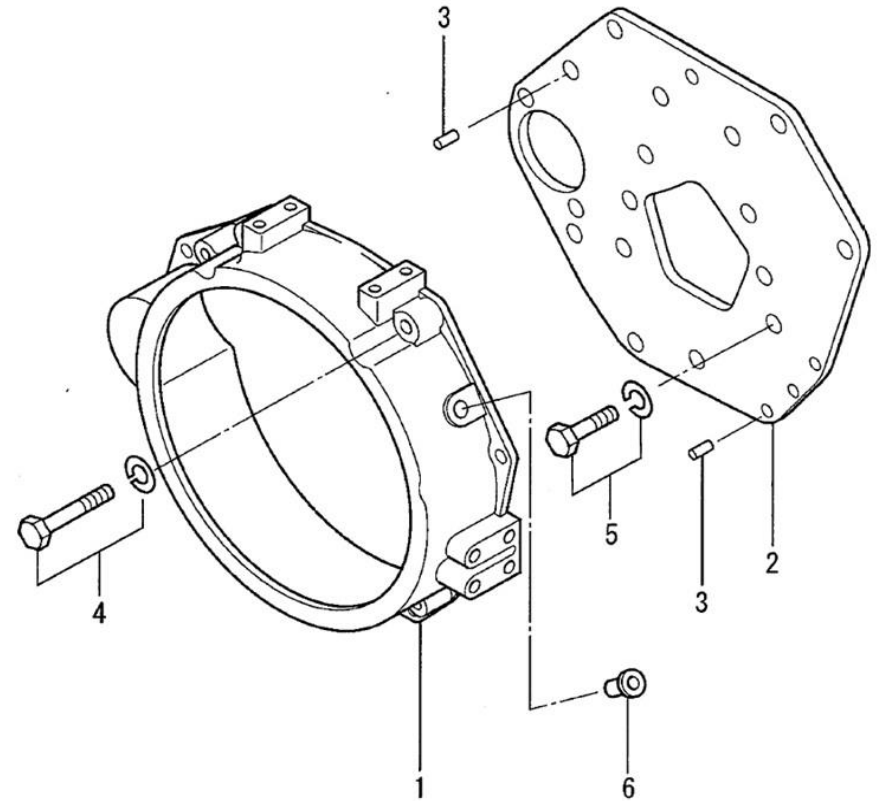


D_GC01_1_6 Cranckcase						
FIG.	REF.	QTY	DESCR.	FROM	UPTO	
1	17220001G	1	Block Assy, Cylinder (Generator)			
2	(*)	1	Not available [NP]			
3	17220006.4G	2	Cap Sealing			
4	17221012.4G	2	Cap Sealing			
5	17220009	8	Bolt Bearing Cap			
6	17220011	1	Bushing, CamShaft			
7	17020014	1	Cap			
8	17120019	2	Pin, dowel			
9	17220023	1	Plug, TAPER			
10	17220028	1	Ball			
11	17220014	1	Shaft Assy, IDLER			
12	17620036.4	2	Pin Dowel			
13	13220007	1	Guide			
14	17220012	1	Cap, Sealing			
15	17220013	3	Cap, Sealing			
16	17620020.4	1	Pin			
17	13120009	4	Bushing			
18	13220021	2	Bushing KNOCK			
19	13220022	1	BUSHING,KNOCK			
20	17220019	1	Plug, Expansion			
21	17220016	1	Gasket, Oil Seal Case			
22	17220063	1	Seal, Oil			
23	52102257	5	Bolt DIN 933 M8-20 8.8			
24	17220015	1	Case, Oil Seal			



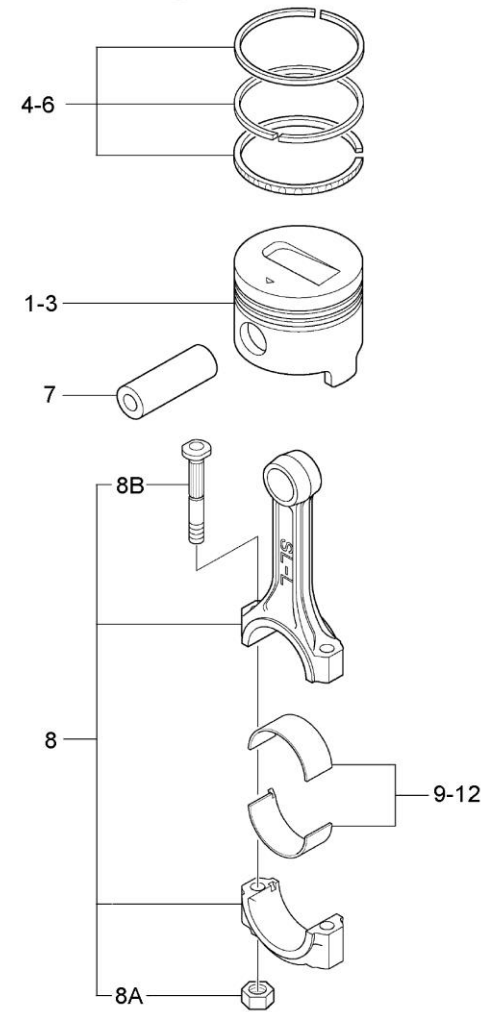
[NP] Not provided

D_GC01_1_7		Rear Plate				
FIG.	REF.	QTY	DESCR.	FROM	UPTO	
1	17220003G	1	Housing Flywheel (Generator)			
2	17220017	1	Plate, REAR			
3	17220026	2	Pin			
4	17202309	2	Bolt			
5	17220062G	13	Bolt [NP]			
6	13820013G	1	Plug (Generator)			



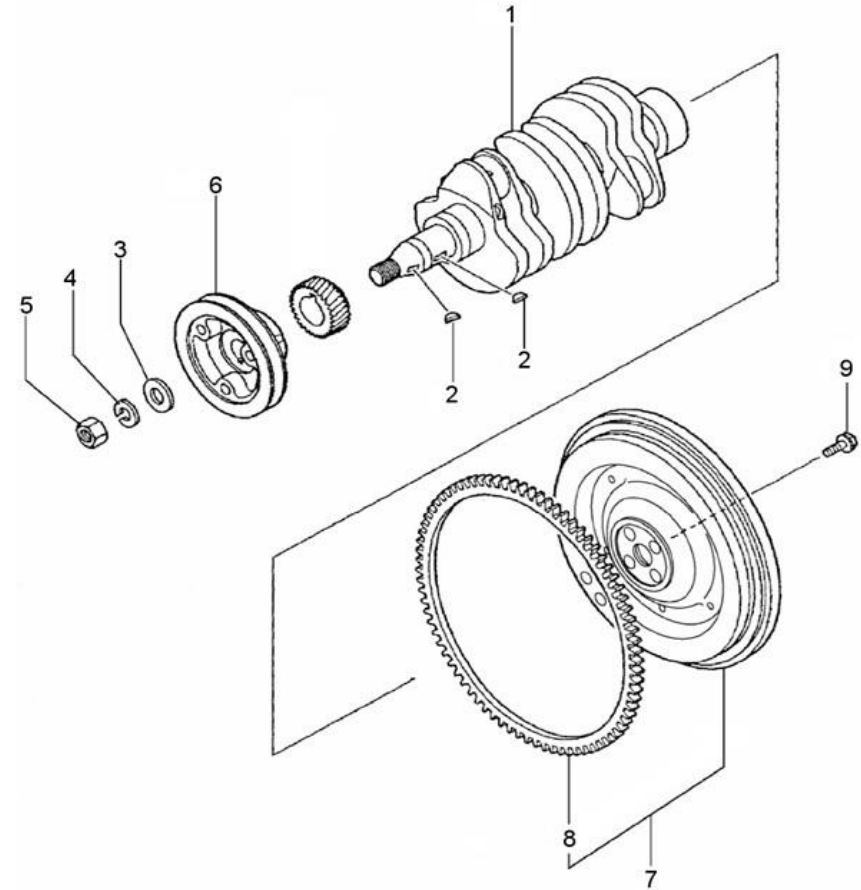
[NP] Not provided

D_GC01_1_8						
Piston & Connecting Rod						
FIG.	REF.	QTY	DESCR.	FROM	UPTO	
1	17222001G	3	Piston (Generator)		02/04/2018	
1	17222001G.1	3	Piston (Genset)	03/04/2018		
2	17222002G	3	Piston + 0,25 (Generator)			
3	17222003G	3	Piston + 0,50 (Generator)			
4	17722006	3	Ring Set,Piston STD.			
5	17722007	3	Ring Set,Piston O.S 0.25			
6	17722008	3	Ring Set,Piston O.S 0.50			
7	17222009	3	Pin, Piston			
8	17222010	3	Rod Assy, Connecting			
8A	17022011	6	Nut,connecting rod			
8B	17222013	6	Bolt,connecting rod			
9	17222014	3	Metal Set, Con Rod STD.			
10	17222015	3	METAL Set, CON ROD - 0,25			
11	17222016	3	METAL Set, CON ROD - 0,50			
12	17222017	3	METAL Set, CON ROD - 0,75			



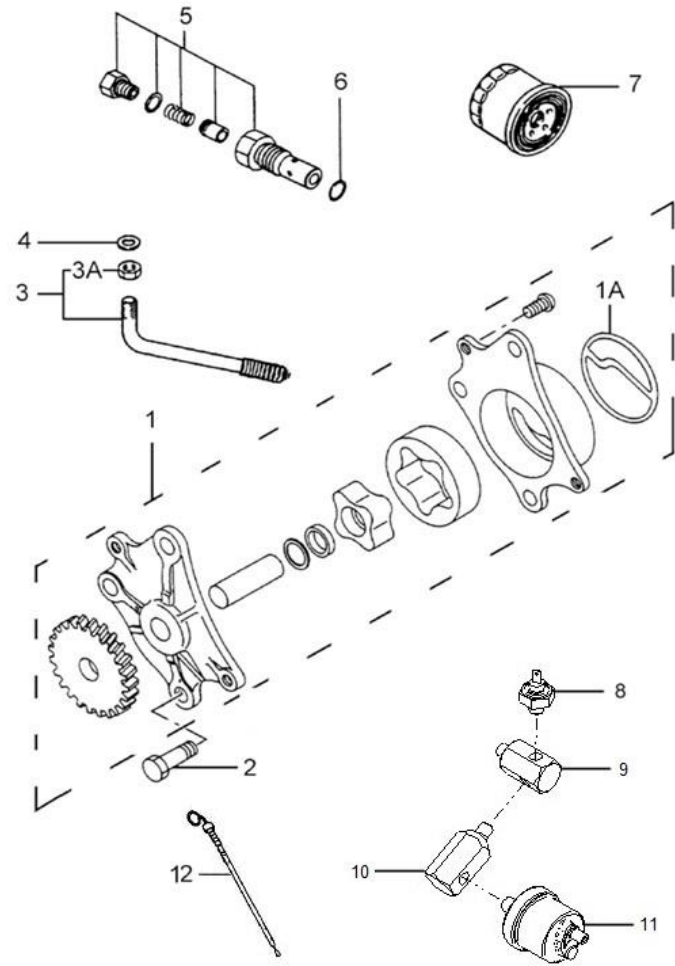


D_GC01_1_9		Crankshaft & Flywheel				
FIG.	REF.	QTY	DESCR.	FROM	UPTO	
1	17222018G	1	CrankShaft [NP]			
2	13222020	2	KEY			
3	17222051	1	Washer, Plain			
4	53033018	1	Washer GROWER DIN 127-18			
5	13222026	1	Nut			
6	17222024	1	Pulley CrankShaft			
7	17222027G	1	Flywheel SUB Assy (Generator)			
8	13222029	1	Gear			
9	17022031	4	Bolt Drive			



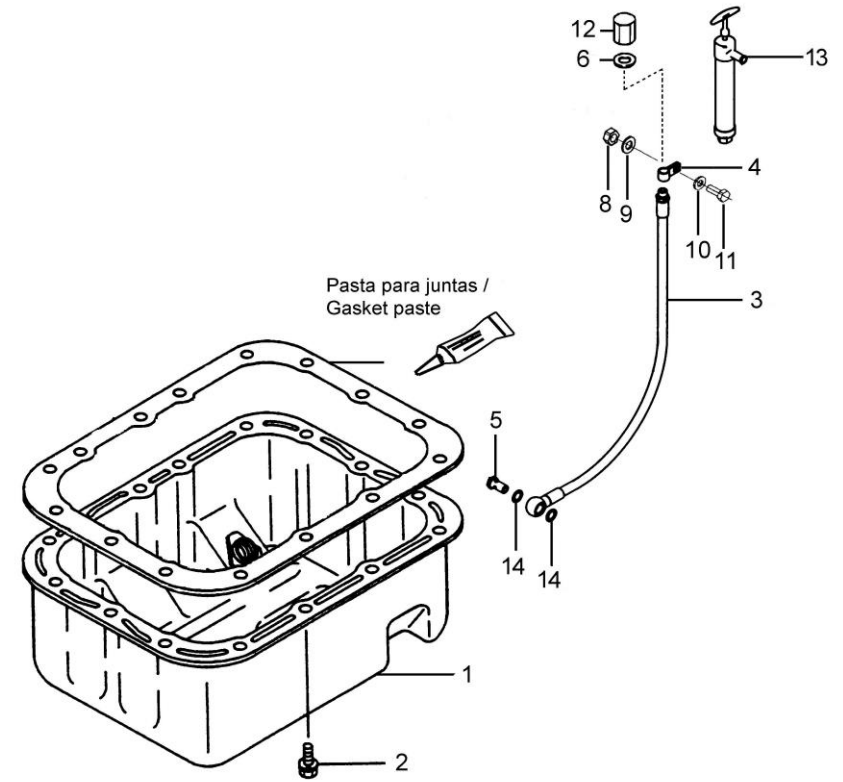
[NP] Not provided

D_GC01_1_10		Oil System				
FIG.	REF.	QTY	DESCR.	FROM	UPTO	
1	17224040	1	Pump Assy, Oil			
1A	17224041	1	Packing, Body			
2	17202258	3	Bolt			
3	17224052	1	Strainer Assy			
3A	13822026	1	Nut			
4	17024001	1	Gasket			
5	17124071	1	Valve, Assy		06/02/2020	
5	17124072	1	Valve, Assy	06/02/2020		
6	17424063	1	Gasket			
7	13124051	1	Oil Filter Element from MINI 11 to 55			
8	17127027	1	SWITCH, oil pressure		08/10/2019	
8	17127027.1	1	SWITCH, oil pressure	08/10/2019		
9	13817051	1	Sender Holder			
10	17214058	1	Sender Holder			
11	60900985	1	Pressure Sensor			
12	17220029	1	Gauge Oil LEVEL			

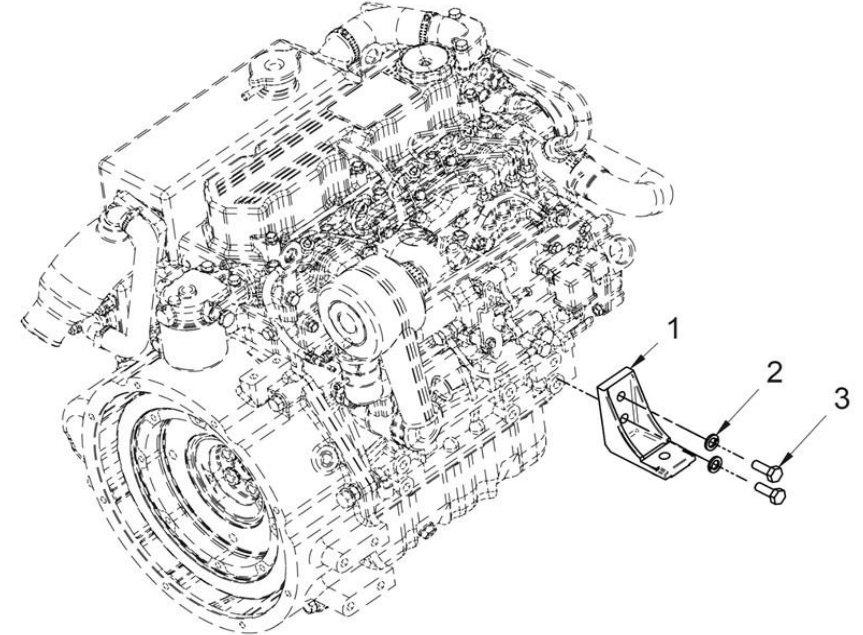




D_GC01_1_11		Oil Pan				
FIG.	REF.	QTY	DESCR.	FROM	UPTO	
1	17220030	1	PAN Assy, Oil			
2	17821012	15	Bolt,W/Washer			
3	17214021	1	ExtraCTION, Hose			
4	17214022	1	Bracket, Pipe			
5	12814051	1	Screw,eye			
6	56000217	1	Washer 13-20-3			
8	52220012	1	Nut DIN 934 M12-1,25 8.8			
9	51030012	1	Washer DIN 125-12			
10	53038012	1	Washer DIN 6798-A 12		11/04/2022	
11	52202363	1	Bolt DIN 933 M12-1,25-50 8.8			
12	16514020	1	Plug			
13	14714001	1	Oil Extraction Pump			
14	56000069	1	Washer 14-20-1,5			

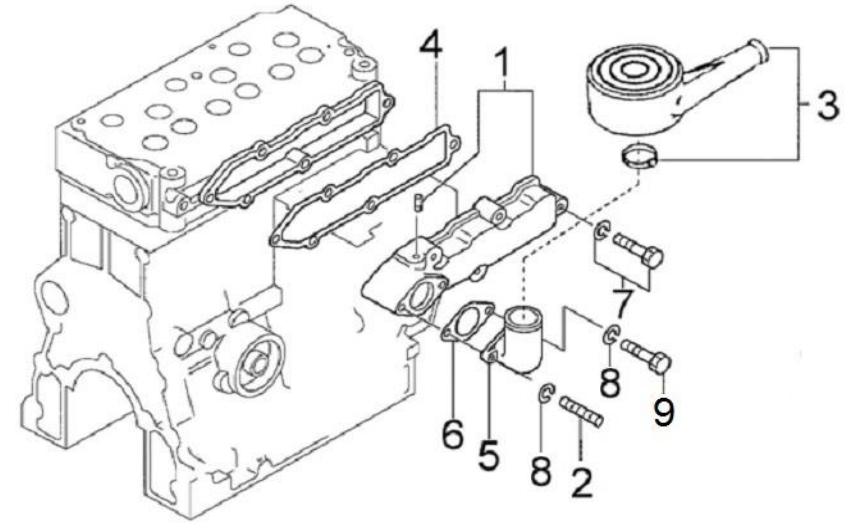


D_GC01_1_12		Engine Brackets				
FIG.	REF.	QTY	DESCR.	FROM	UPTO	
1	17210034	2	Front Bracket			
2	53033012	2	Washer Grower DIN 127-12			
3	52202359	2	Bolt DIN 933 M12-1,25-30 8.8			



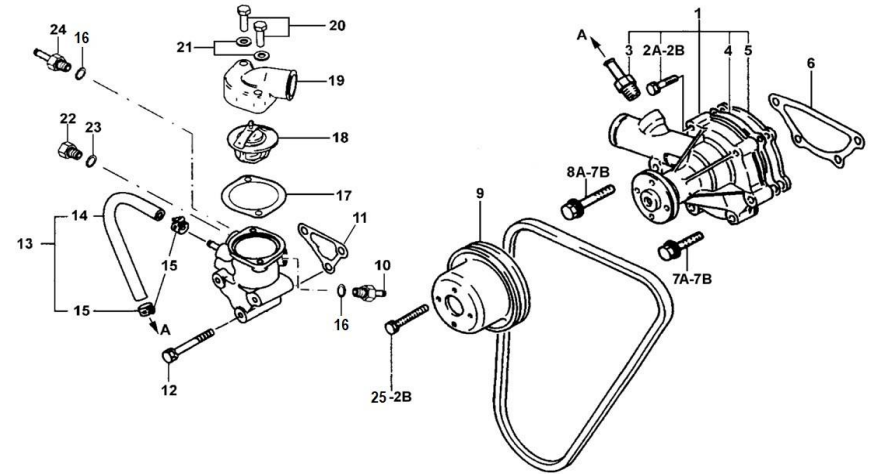


D_GC01_2_1		Inlet				
FIG.	REF.	QTY	DESCR.	FROM	UPTO	
1	17221030	1	Cover Assy, Inlet			
2	17210021	1	Stud			
3	13810074	1	Air Filter	15/02/2017		
3	17610012	1	Air Filter Assy without filter element		14/02/2017	
4	17221032	1	Gasket, Inlet Cover			
5	17210020	1	Bend			
6	17221034	1	Gasket, Inlet Pipe			
7	17721011	5	Bolt,W/Washer			
8	53038008	2	Washer DIN 6798-A 8			
9	52102257	1	Bolt DIN 933 M8-20 8.8			



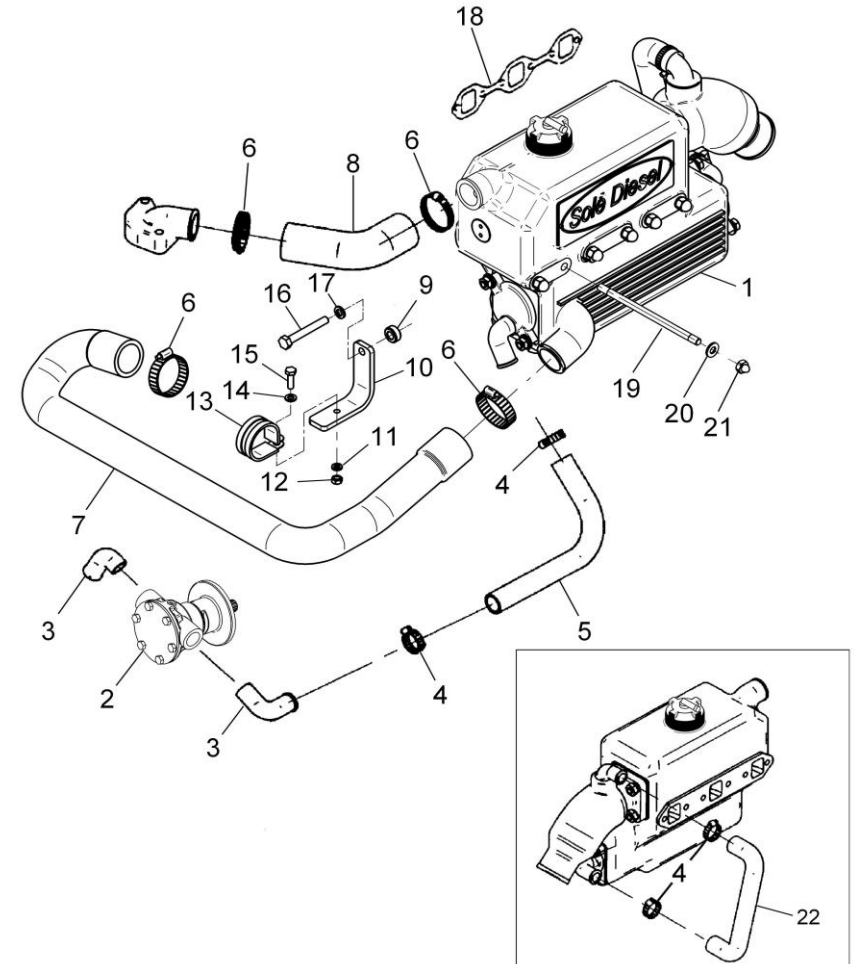


D_GC01_3_1		Water Pump				
FIG.	REF.	QTY	DESCR.	FROM	UPTO	
1	17221020	1	Fresh Water Pump			
2A	52102259	2	Bolt DIN 933 M8-30 8.8			
2B	53033006	6	Washer GROWER DIN 127-6			
3	13221026	1	NIPPLE Hose			
4	13221022	1	Gasket Water Pump			
5	13221042	1	Plate Water Pump			
6	13221041	1	Gasket Water Pump			
7A	52101262	3	Bolt DIN 931 M8-45 8.8			
7B	53033008	7	Washer GROWER DIN 127-8			
8A	17201265	1	Bolt			
9	17221021	1	Pulley,Water Pump			
10	60900070	1	Thermo-Switch 97°C			
11	17221033	1	Gasket, Thermostat Case			
12	17420062G.1	3	Bolt,W/Washer (Generator)			
13	17221025	1	Hose Assy			
14	17221024	1	Elbow			
15	17824029	2	Clip,Hose			
16	56000073	2	Copper Washer 16-23-1,5			
17	17221031	1	Gasket,Thermostat			
18	17221027G	1	Thermostat			
18	17221028G	1	Thermostat			
19	17211020	1	Fitting, Water Outlet			
20	52101260	2	Bolt DIN 931 M8-35 8.8			
21	53038008	2	Washer DIN 6798-A 8			
22	17121016	2	Plug, drain			
23	17121013	1	Gasket			
24	60900980	1	Temperature Sensor			
25	52102155	4	Bolt DIN 933 M6-12 8.8			



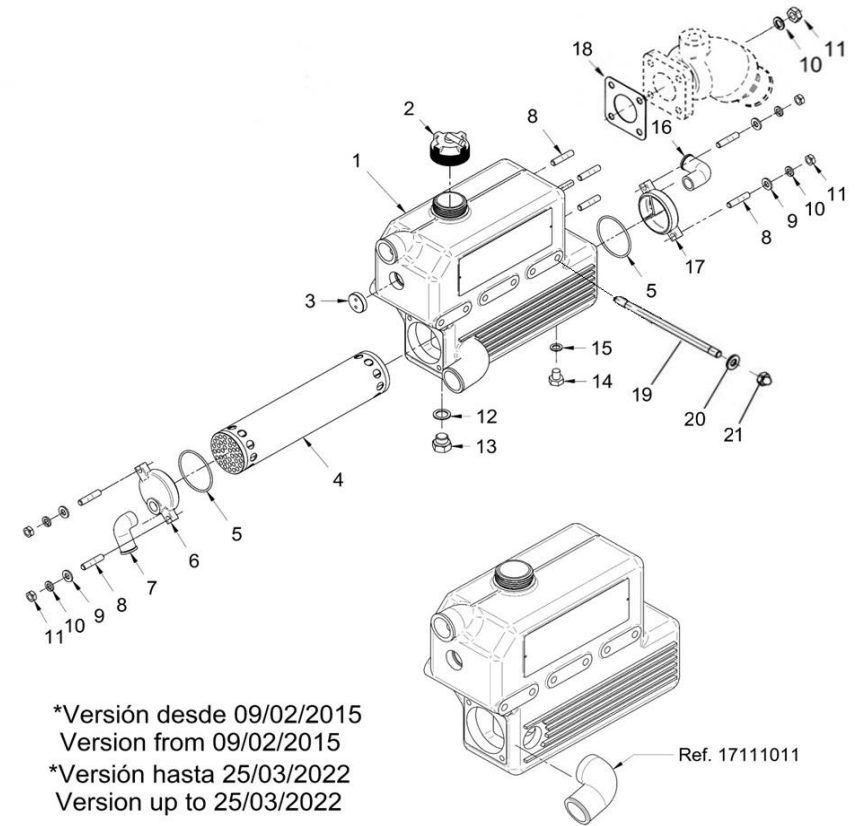


D_GC01_3_4		Cooler Pipes				
FIG.	REF.	QTY	DESCR.	FROM	UPTO	
1	17211000R	1	Water Cooler Assy MINI-33 (Spare Part)		25/03/2022	
1	17211002R	1	Water Cooler Assy MINI-33 (Spare Part)	25/03/2022		
2	37611000	1	Splined Pump 1/2" MINI-11/17/29/33/44			
3	13811027	2	Elbow 1/2"			
4	54081016	4	Clamp DIN 3017 16-27/9 W4	10/08/2017		
4	54081020	4	Clamp DIN 3017 20-32/9 W4		09/08/2017	
5	17011012	1	Elbow			
6	54082032	4	Clamp DIN 3017 32-50/12 W4			
7	17211006	1	Hose			
8	17211021	1	Elbow			
9	12117044	1	Spacer			
10	17211029	1	Bracket, Pipe			
11	53033006	1	Washer GROWER DIN 127-6			
12	52120006	1	Nut DIN 934 M6 8.8			
13	51071373	1	Clamp 31-40/15 W1			
14	51030006	1	Washer DIN 125-6			
15	52102157	1	Bolt DIN 933 M6-20 8.8			
16	52101265	1	Bolt DIN 931 M8-60 8.8			
17	53033008	1	Washer GROWER DIN 127-8			
18	17221035	1	Gasket, Exhaust Manifold			
19	17211015	6	MANIFOLD MOUNTING Stud		25/03/2022	
19	54101323	6	Bolt DIN 931 M8-140 Inox.	25/03/2022		
20	56000057	6	Washer 8-13-1,5			
21	55122008	6	Nut DIN 1587 M8		25/03/2022	
22	17211034	1	Rubber WET Exhaust Inlet BEND			





D_17211000R		Water Cooler Assy MINI-33 (Spare Part)			
FIG.	REF.	QTY	DESCR.	FROM	UPTO
1	17211001	1	Body, Water Cooler		
2	13811010	1	Cap		
3	12113092	1	Plug		
4	17211004	1	Tubular Bundle		
5	13811007	2	O-Ring D. 57X2,5		
6	13811002	1	Water Cooler Cover		
7	13211027	1	Water Inlet Bend		
8	13311006	8	Stud,cover		
9	51030008	4	Washer DIN 125-8		
10	53033008	8	Washer GROWER DIN 127-8		
11	54120008	8	Nut DIN 934 M8		
12	56000073	1	Copper Washer 16-23-1,5		
13	12111076	1	Plug		
14	54102306	1	Bolt DIN 933 M10-16 INOX.		
15	56000061	1	Washer 10-16-1,5		
16	13211035	1	Exhaust Manifold Outlet Bend		
17	17211042A	1	Cover,water cooler anode	23/01/2018	
18	15113043	1	Exhaust Elbow Gasket		
19	17211015	6	MANIFOLD MOUNTING Stud		
20	56000057	6	Washer 8-13-1,5		
21	55122008	6	Nut DIN 1587 M8		
NS	17111011	1	Elbow 1 1/8" [NS]		

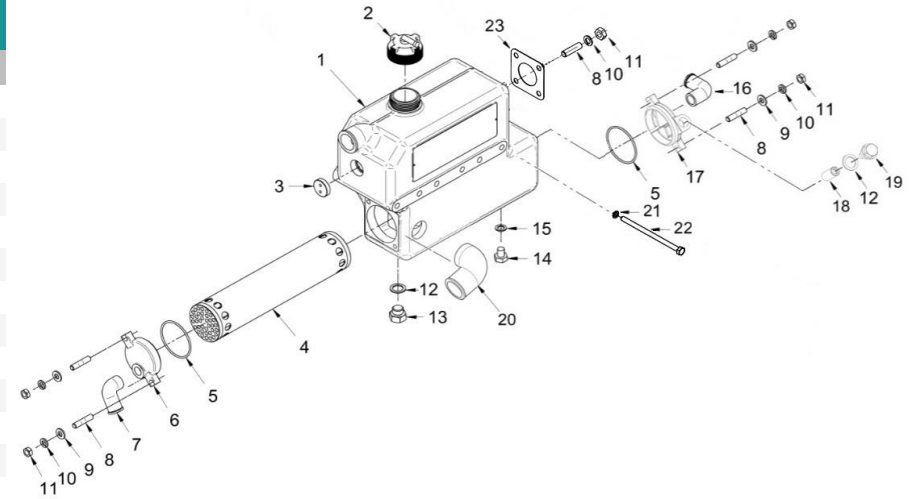


\*Versión desde 09/02/2015  
 Version from 09/02/2015  
 \*Versión hasta 25/03/2022  
 Version up to 25/03/2022

[NS] Not shown



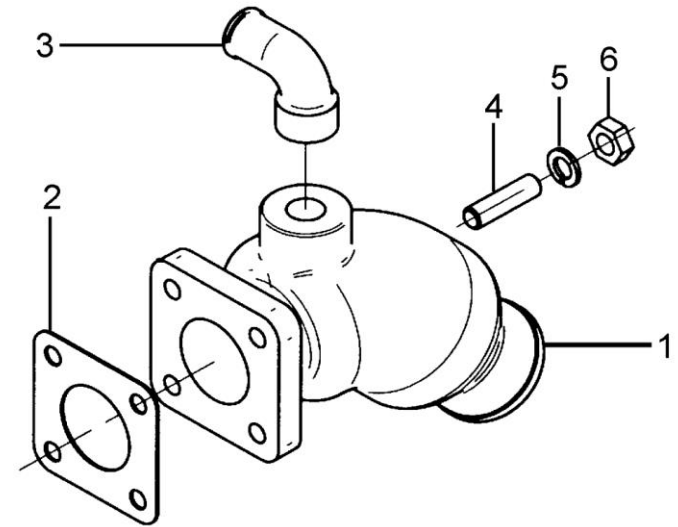
D_17211002R		Water Cooler Assy MINI-33			
FIG.	REF.	QTY	DESCR.	FROM	UPTO
1	17211003	1	Body, Water Cooler [NP]		
2	13811010	1	Cap		
3	12113092	1	Plug		
4	17211004	1	Tubular Bundle		
5	13811007	2	O-Ring D. 57X2,5		
6	13811002	1	Water Cooler Cover		
7	13211027	1	Water Inlet Bend		
8	13311006	8	Stud,cover		
9	51030008	4	Washer DIN 125-8		
10	53033008	8	Washer GROWER DIN 127-8		
11	54120008	8	Nut DIN 934 M8		
12	56000073	2	Copper Washer 16-23-1,5		
13	12111076	1	Plug		
14	54102306	1	Bolt DIN 933 M10-16 INOX.		
15	56000061	1	Washer 10-16-1,5		
16	13211035	1	Exhaust Manifold Outlet Bend		
17	17211042	1	Water Cooler Cover		
18	13811043	1	Engine Anode 29.5 mm M.8		
19	18011009	1	Anode Plug		
20	17111011	1	Elbow 1 1/8"		
21	56000057	6	Washer 8-13-1,5		
22	54101323	6	Bolt DIN 931 M8-140 Inox.		
23	15113043	1	Exhaust Elbow Gasket		
NS	17211040	1	Water Cooler Adhesive Mini-33 [NS]		



[NP] Not provided

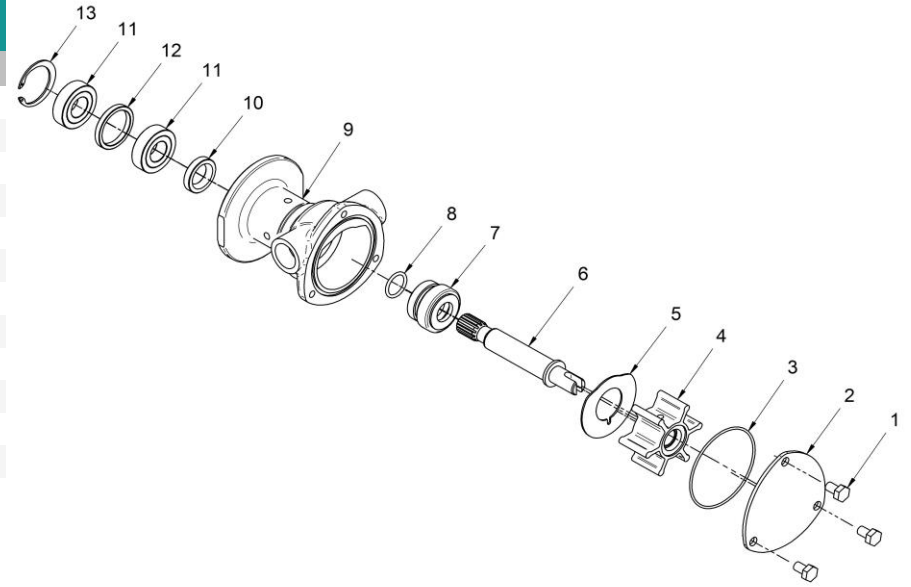
[NS] Not shown

D_GC01_3_5		Wet Exhaust				
FIG.	REF.	QTY	DESCR.	FROM	UPTO	
1	17013015G	1	Elbow,WET Exhaust			
2	15113043	1	Exhaust Elbow Gasket			
3	17211028	1	Water Bend			
4	13311006	4	Stud,cover			
5	53033008	4	Washer GROWER DIN 127-8			
6	52120008	4	Nut DIN 934 M8 8.8			

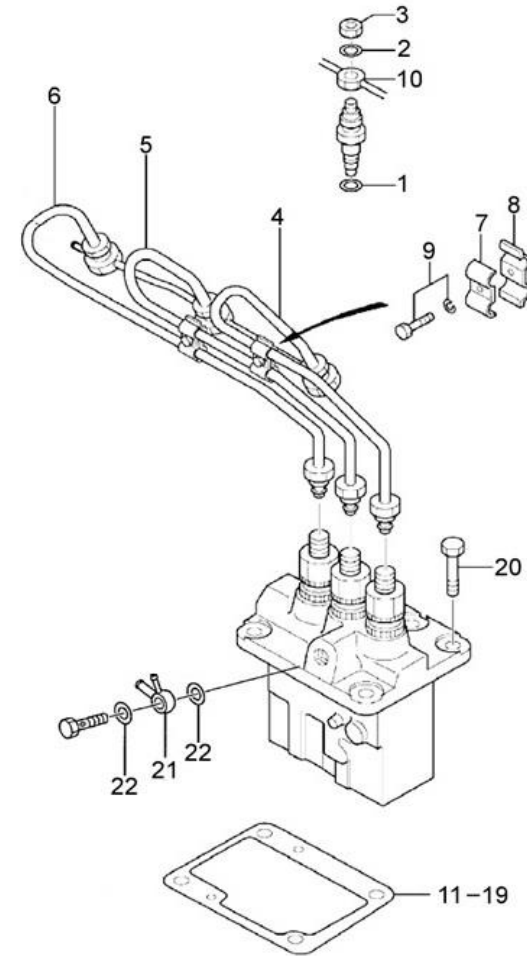




37611000 Splined Pump 1/2" MINI-11/17/29/33/44					
FIG.	REF.	QTY	DESCR.	FROM	UPTO
1	54102154	3	Bolt DIN 933 M6-10 INOX		
2	37611002	1	Cover Pump		
3	37611003	1	O-Ring D. 57x1,5		01/06/2022
4	31211008	1	1/2" Impeller		
5	37611026	1	Plate, Friction		
6	33811010	1	Shaft, Water Pump		
7	33411019	1	Seal		
8	33311013	1	O-Ring D. 15X2		
9	37611001	1	Body, Water Pump 1/2"		
10	33411020	1	Seal		
11	33411014	2	Ball Bearing 6002-C3		
12	33811015	1	Spacer		
13	53041032	1	CIRClip DIN 472 I-32		

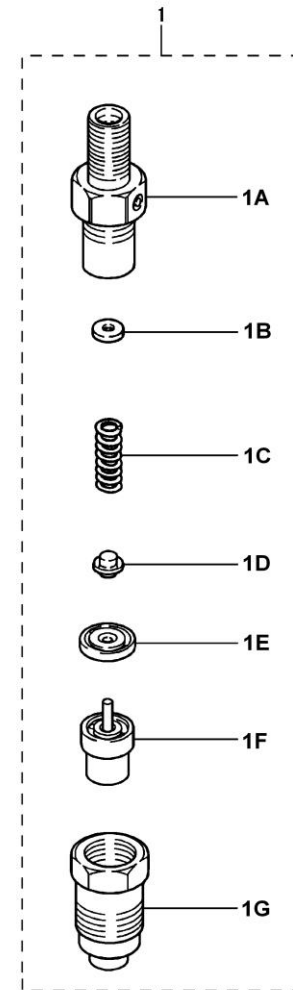


D_GC01_4_1 Fuel Pipe						
FIG.	REF.	QTY	DESCR.	FROM	UPTO	
1	13824013	3	Injector Washer			
2	17424025G.1	3	Gasket Fuel Return (Genset)			
3	13824024	3	Nut			
4	17224015	1	Pipe Injection N.1			
5	17224016.4G	1	Pipe Injection N.2			
6	17224019.4G	1	Pipe Injection N.3			
7	13124018	2	Clamp (A)			
8	13124017	2	Clamp (B)			
9	17524025	2	Bolt,W/Washer			
10	17224002.4G	1	Fuel Return			
11	13624003	0	Shim Adjusting T=0,2mm [VAR]			
12	17224004.4	0	Shim Adjusting T=0,3mm [VAR]			
13	13624005	0	Shim Adjusting T=0,4mm [VAR]			
14	17224006	0	Shim Adjusting T=0,5mm [VAR]			
15	17224007	0	Shim Adjusting T=0,6mm [VAR]			
16	17224008	0	Shim Adjusting T=0,7mm [VAR]			
17	13624009	0	Shim Adjusting T=0,8mm [VAR]			
18	17224010	0	Shim Adjusting T=0,9mm [VAR]			
19	17224011	0	Shim Adjusting T=1,0mm [VAR]			
20	52102257	4	Bolt DIN 933 M8-20 8.8			
21	17225029.3	1	Nipple Swivel			
22	13124001	2	Washer			



[VAR] Variable according to repair

D_GC01_4_2		Injection Nozzle				
FIG.	REF.	QTY	DESCR.	FROM	UPTO	
1	13826001	3	Nozzle & Holder A			
1A	13826002	3	Body Assy			
1BAA	13826010	0	Washer 1,25 [VAR]			
1BAB	13826011	0	Washer 1,30 [VAR]			
1BAC	13826012	0	Washer 1,35 [VAR]			
1BAD	13826013	0	Washer 1,40 [VAR]			
1BAE	13826014	0	Washer 1,45 [NP] [VAR]			
1BAF	13826015	0	Washer 1,50 [VAR]			
1BAG	13826016	0	Washer 1,55 [VAR]			
1BAH	13826017	0	Washer 1,60 [VAR]			
1BAI	13826019	0	Washer 1,65 [VAR]			
1BAJ	13826020	0	Washer 1,70 [VAR]			
1C	17226004	3	Spring, Pressure [NP]			
1D	13826003	3	Pin Pressure			
1E	13826007	3	PIECE DISTANCE		07/01/2020	
1F	13826018	3	Nozzle Assy			
1G	17226009	3	Nut			

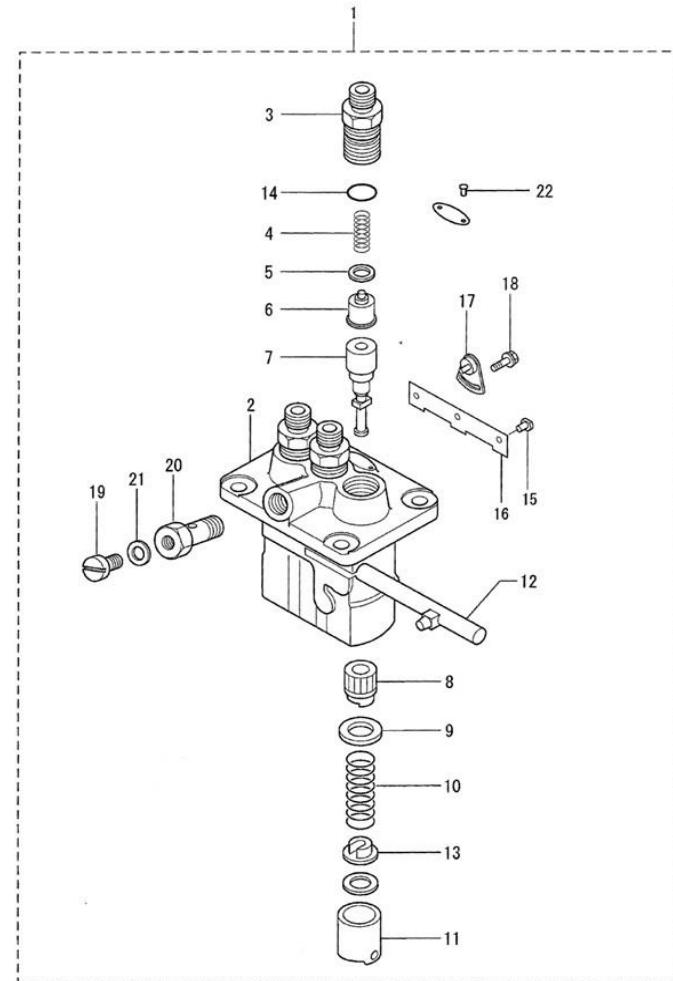


[NP] Not provided

[VAR] Variable according to repair

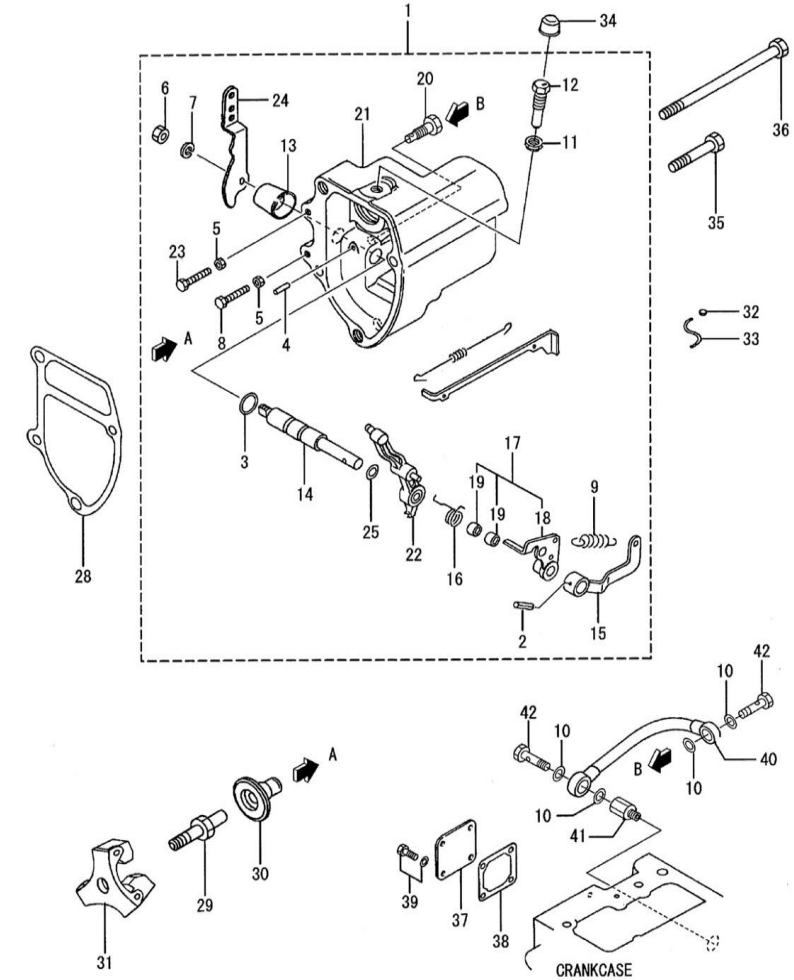


D_GC01_4_3		Fuel Injection Pump				
FIG.	REF.	QTY	DESCR.	FROM	UPTO	
1	17225001G	1	Pump Assy, Fuel Injection (Generator)			
2	17225005G	1	Housing Sub Assy			
3	17225004	3	Holder Delivery Valve			
4	13225002	3	Spring DELIVERY Valve			
5	13125007	3	Gasket DELIVERY V			
6	17225008G	3	Valve SUB-Assy (Generator)			
7	17225009G	3	Element SUB Assy (Generator)			
8	13125010	3	SLEEVE			
9	13125011	3	Seat Spring Upper			
10	13125012	3	Spring Plunger			
11	13125021	3	Tappet SUB Assy			
12	17225006	1	RACK Assy, Control			
13	13125013	3	Seat Spring LOWER			
14	13125033	3	O-Ring D. 15X2,5			
15	13125022	3	Pin Tappet Guide			
16	13625023	1	Plate			
17	13125030	2	Plate Assy Pressure			
19	17225026.3	1	Screw Air BLEEDER			
20	17225027.3	1	Screw HOLLOW			
21	17225025.3	1	Washer DRAIN Screw			
22	13125003	2	RIVET [NP]			



[NP] Not provided

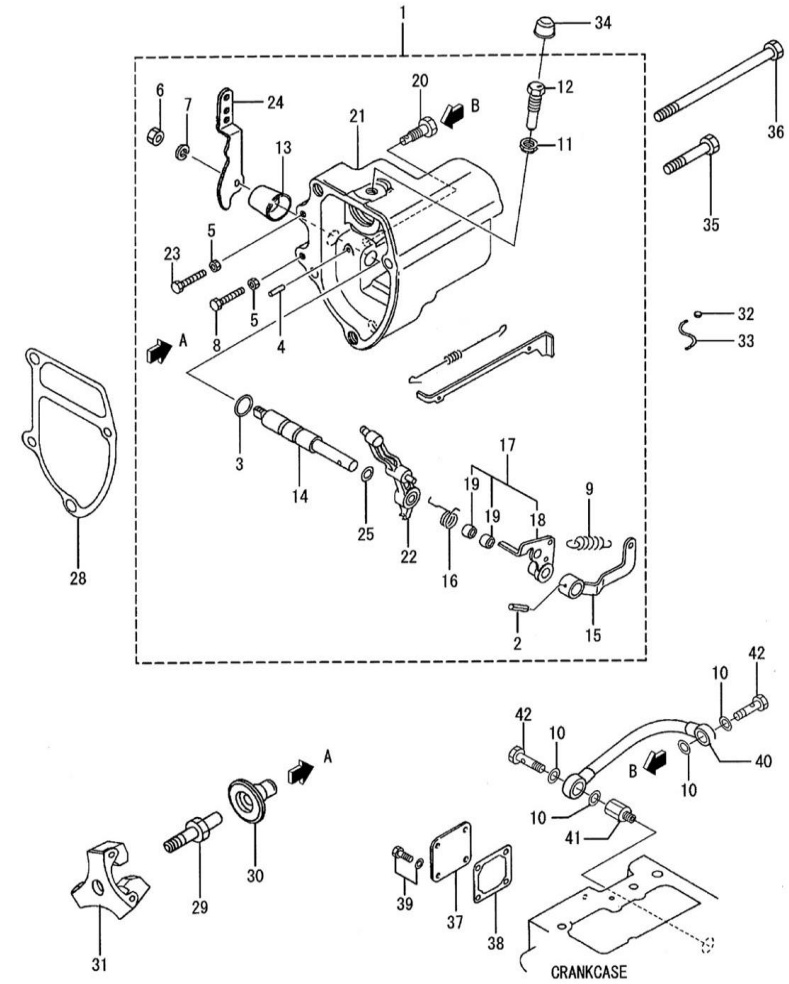
D_GC01_4_4		Governor Parts			
FIG.	REF.	QTY	DESCR.	FROM	UPTO
1	17223000G	1	Case Assy, GOverNOR (Generator)		
2	17223009	1	Pin, Spring		
3	17223046	1	O-Ring D. 10X2,5		
4	13123009	1	Pin GROOVED		
5	17223032	2	Nut		
6	17223030	1	Nut		
7	53033008	1	Washer GROWER DIN 127-8		
8	17223017	1	Bolt		
9	17223044G	1	Spring GOverNOR (Generator)		
10	(*)	2	Not available [NP]		
10	17322021	4	Gasket		
11	17223035	1	Nut		
12	13823034	1	RACK Set Screw (new)		
13	17223036	1	Cover, Governor		
14	17223006	1	Shaft, GOverNOR		
15	17223003	1	Lever, Governor		
16	17223028	1	Spring		
18	17223029	1	Lever Assy		
19	13220034	2	Roller Bearings		
20	17222020	1	Bolt		
21	17223019G	1	Case, GOverNOR		
22	17223007G	1	Lever, GOverNOR (Generator)		
23	17223025	1	Bolt Low Idle Set		
24	17223008.4G	1	Lever Assy speed		
25	17323047.4	1	Shim, Governor Shaft		
26	17223048	1	Lever TIE-ROD		
27	17223049	1	Spring TIE-ROD		
28	17223033	1	Gasket, Governor Case		
29	17223050	1	Shaft, SLIDING SLEEVE		
30	17223031G	1	SLEEVE, SLIDING (Generator)		
31	17223001G	1	WEIGHT Assy,GOverNOR (Generator)		
32	13123020	1	Shutter		
33	13123019	1	Metal Sealing		
34	13823042	1	Cap TORQUE Set SE		
35	17220034	3	Bolt		



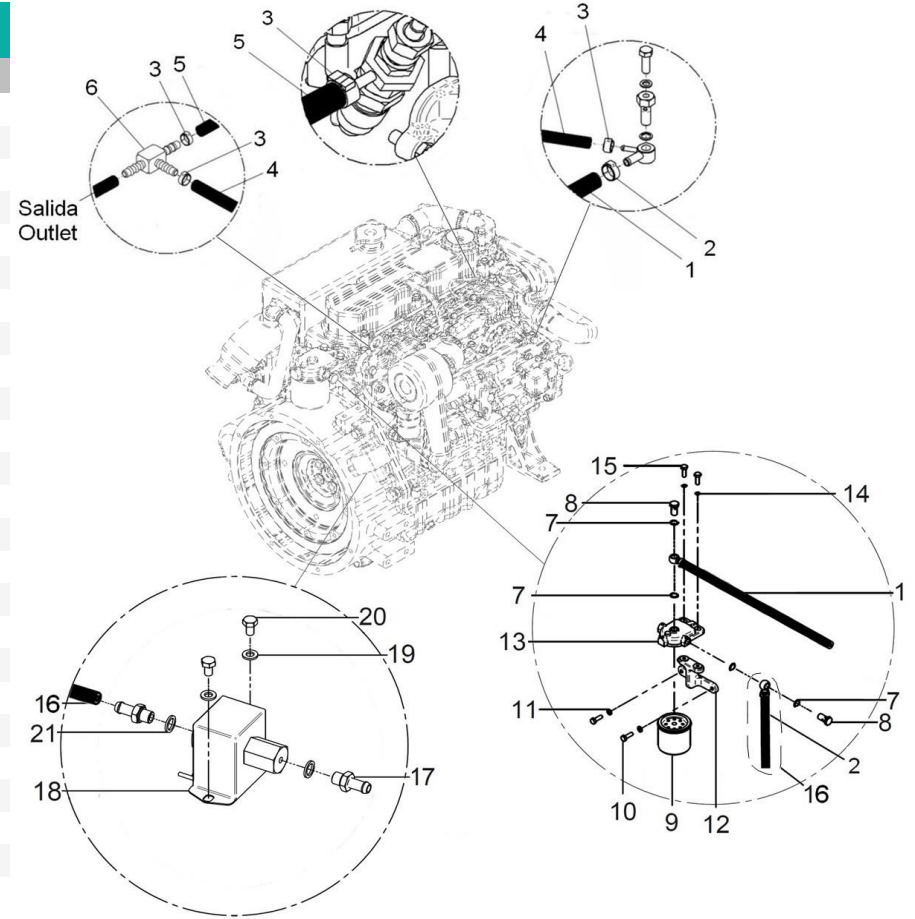
[NP] Not provided



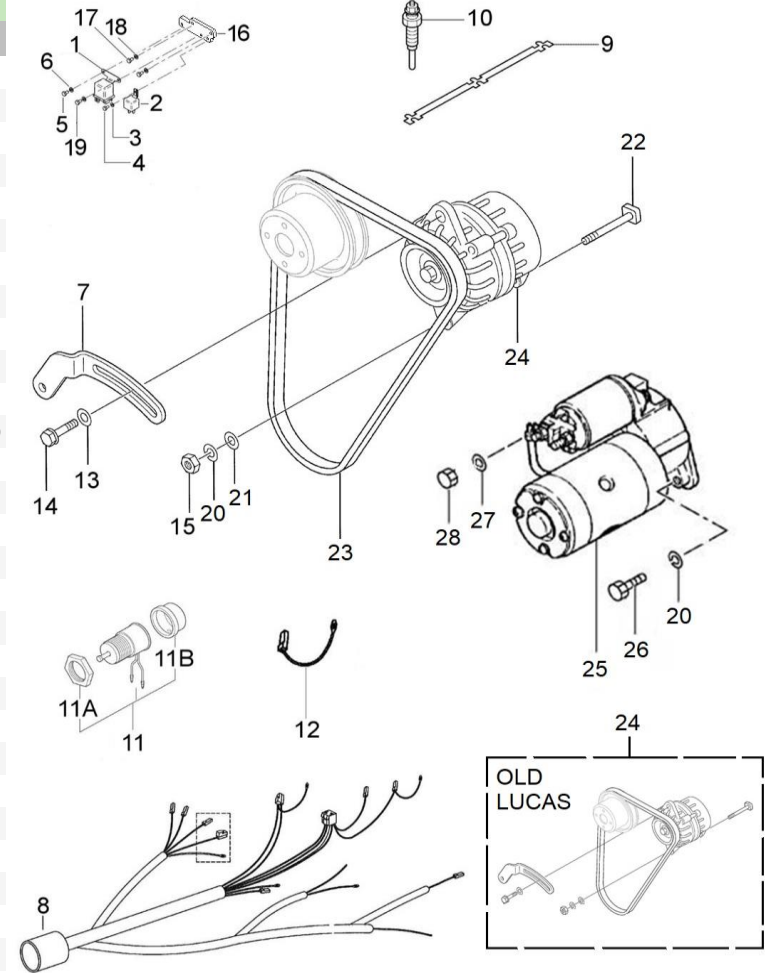
D_GC01_4_4		Governor Parts				
FIG.	REF.	QTY	DESCR.	FROM	UPTO	
36	17223052	1	Bolt, Governor Case			
37	17223043	1	Cover TIE-ROD			
38	13223014	1	Gasket Cover			
39	13802156	4	Bolt			
40	17224004G	1	Pipe,Oil			
41	17322022	1	Adapter			
42	17322020	2	VIS			



D_GC01_4_5		Fuel Supply Parts			
FIG.	REF.	QTY	DESCR.	FROM	UPTO
1	17614027	1	Hose		
2	51086016	2	ONE EAR Clamp With INTERIOR Ring 14-16,3		
3	51086010	4	One Ear Clamp With Interior Ring 10-11,5		
4	17214027	1	0,39 M. Hose		
5	17614026	1	0,04 M. Hose		
6	17614028	1	Bypass "T"		
7	57000369	4	Washer 14,2-20-1,5		
8	12814051	3	Screw,eye		
9	13114022	1	Fuel Filter Element from MINI 10 to 55		
10	52102257	2	Bolt DIN 933 M8-20 8.8		
11	53033008	2	Washer GROWER DIN 127-8		
12	17214001	1	Bracket, gasoil Filter		
13	13114020	1	Cover,filter		
14	51031008	2	Washer DIN 9021 8		
15	52102258	2	Bolt DIN 933 M8-25 8.8		
16	13814017.5	1	Fuel Pump Hose		
17	13814072	2	Straight Hose Connector 1/8" NPTF		
18A	13814070	1	Electric Fuel Feed Pump 12V		
<i>Figure A for 12V System</i>					
18B	19014070	1	Pump 24V.		
<i>Figure b for 24V System</i>					
19	51030006	2	Washer DIN 125-6		
20	52102154	2	Bolt DIN 933 M6-10 8.8		
21	57000361	2	Washer 10-14-1,5		

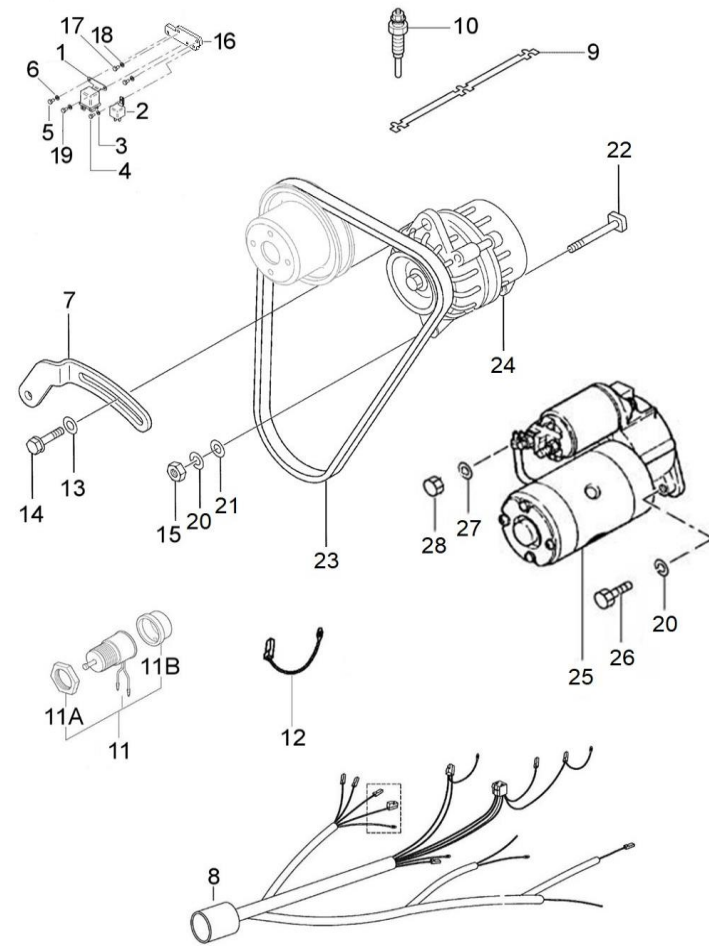


D_GC01_5_5		Electrical Wiring 12V			
FIG.	REF.	QTY	DESCR.	FROM	UPTO
1	13827005	1	Glow Relay		
2	18217005	1	Relay 12V 12-100		
3	51030005	1	Washer DIN 125-5		
4	54102103	1	Bolt DIN 933 M5-8 INOX.		
5	52102155	1	Bolt DIN 933 M6-12 8.8		
6	51030006	1	Washer DIN 125-6		
7	17227007	1	Plate		
8	60972502	1	Genset Electrical Wiring MINI-33/44		
9	17227018	1	Plate		
10	17127017	3	Plug, glow		
11	17224027	1	Solenoid	28/01/2020	
11	17324026G	1	SOLENOID, Assy		28/01/2020
11A	13425029	1	Nut (old)		
11B	17324025G	1	SOLENOID		
12	60934040	1	Wirine		
13	51031008	1	Washer DIN 9021 8		
14	13827012	1	Bolt		
15	17827003	1	Nut		
16	17217001G	1	Support, Relay		
17	52102157	2	Bolt DIN 933 M6-20 8.8		
18	53033006	2	Washer GROWER DIN 127-6		
19	52102153	1	Bolt DIN 933 M6-8 8.8		
20	53033010	3	Washer GROWER DIN 127-10		
21	51030010	1	Washer DIN 125-10		
22	17227070	1	Bolt, Alternator		
23	17221060G	1	V-Belt		
24	17227012	1	Alternator 12V/50A		
24	17227014	1	Kit Lucas Alternator 12V/65A	02/12/2019	01/01/2022
25	17227002	1	Starter Assy 12 V		
26	52202308	2	Screw DIN 961 8.8 M-10/1,25X25		
27	51030008	1	Washer DIN 125-8		
28	52120008	1	Nut DIN 934 M8 8.8		
NS	60900028	2	Diode 25A. DS-1712A [NS]		



[NS] Not shown

D_MI33GSTST_05_6		Electrical Wiring 24V			
FIG.	REF.	QTY	DESCR.	FROM	UPTO
1	17527006	1	Glow Relay 24V		
2	17417005	1	Relay 24V 24-100		
3	51030005	1	Washer DIN 125-5		
4	54102103	1	Bolt DIN 933 M5-8 INOX.		
5	52102155	1	Bolt DIN 933 M6-12 8.8		
6	51030006	1	Washer DIN 125-6		
7	17227007	1	Plate		
8	60972502	1	Genset Electrical Wiring MINI-33/44		
9	17227018	1	Plate		
10	17227017.2	3	Glow Plug 24V		
11	13824025.2G	1	Stop SOLENOID 24V-ETR		
11A	13425029	1	Nut (old)		
11B	17324025G	1	SOLENOID		
12	60934040	1	Wirine		
13	51031008	1	Washer DIN 9021 8		
14	13827012	1	Bolt		
15	17827003	1	Nut		
16	17217001G	1	Support, Relay		
17	52102157	2	Bolt DIN 933 M6-20 8.8		
18	53033006	2	Washer GROWER DIN 127-6		
19	52102153	1	Bolt DIN 933 M6-8 8.8		
20	53033010	3	Washer GROWER DIN 127-10		
21	51030010	1	Washer DIN 125-10		
22	52101325	1	Bolt DIN 931 M10-120 8.8		
23	17021028	1	Belt Type SPZX 987		
24	17417024	1	Alternator 28V/55A		
25	17327001.2	1	Starter Assy 24V		
26	52202308	2	Screw DIN 961 8.8 M-10/1,25X25		
27	51030008	1	Washer DIN 125-8		
28	52120008	1	Nut DIN 934 M8 8.8		
NS	17217006	1	Spacer 10,5X25X32 [NS]		
NS	60900028	2	Diode 25A. DS-1712A [NS]		
NS	60900126	1	TERMINAL [NS]		



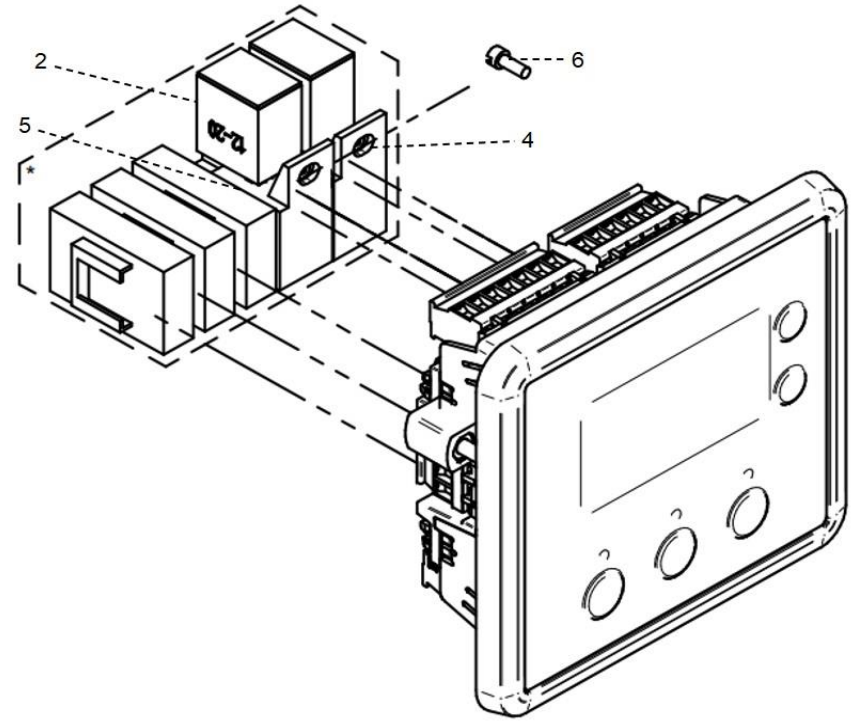
[NS] Not shown



D_MI33GSTST_05_5 Panels for Genset						
FIG.	REF.	QTY	DESCR.	FROM	UPTO	
1A	61972230S	1	Panel SCO 5 10 GSC 12V 230V			
1B	61972230.2S	1	Panel SCO 5 10 GSC 24V 230V			
1C	61972230TS	1	Panel SCO 5 11 GTC 12V 230V			
1D	61972400S	1	Panel SCO 5 11 GTC 12V 400/230V			
1E	61972230T.2S	1	Panel SCO 5 11 GTC 24V 230V			
1F	61972400.2S	1	Panel SCO 5 11 GTC 24V 400/230V			
1G	61972240.18S	1	Panel SCO 5 12 GSAC 12V 240V			
1H	61972240.18.2S	1	Panel SCO 5 12 GSAC 24V 240V			
1I	61972240T.18S	1	Panel SCO 5 14 GTAC 12V 240V			
1J	61972480.18S	1	Panel SCO 5 14 GTAC 12V 480/277V			
1K	61972240T.18.2S	1	Panel SCO 5 14 GTAC 24V 240V			
1L	61972480.18.2S	1	Panel SCO 5 14 GTAC 24V 480/277V			



D_PANELGRUP02_01 Panel Components for Genset						
FIG.	REF.	QTY	DESCR.	FROM	UPTO	
2A	60900091	4	MICRO Relay 12V 12-20			
<i>Figure A for 12V System</i>						
2B	60900092	4	MICRO Relay 24V 24-10			
<i>Figure b for 24V System</i>						
4	51030005	2	Washer DIN 125-5			
5	61900001	1	Rail Guide For Modular Micro Relay Holder - Fusible Holder		29/03/2023	
5	61900002	1	Rail Guide For Modular Micro Relay Holder - Fusible F		29/03/2023	
6	51918054	2	Bolt DIN 7981C 3,5-9,5			
NS	60972112	1	Wiring BRIDGE MONOF. Panel COMAP [NS]			
NS	60972123	1	Electrical System Back Panel SCO 5 [NS]			
NS	61972124	1	SCO 5 Panel Screw Bracket [NS]			



[NS] Not shown



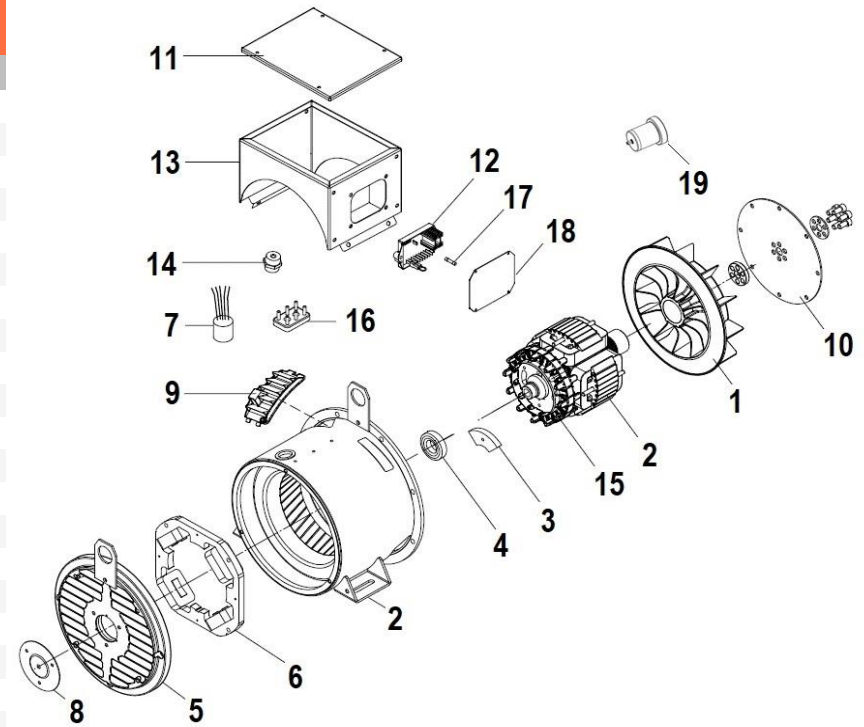
D_W1C1_1_1		Genset Extension				
FIG.	REF.	QTY	DESCR.	FROM	UPTO	
1A	60938210I	1	Genset Wiring Ext. 3 M. CPC			
1B	60985210I	1	Genset Wiring Ext. 4 M. CPC			
1C	60938221	1	Genset Wiring Ext. 6 M. CPC			
1D	60938212	1	Genset Wiring Ext. 8 M. CPC			
1E	60985210.12I	1	Genset Wiring Ext. 12 M. CPC			
1F	60985210.18I	1	Genset Wiring Ext. 18 M. CPC			
1G	60985210.24I	1	Genset Wiring Ext. 24 M. CPC			
1H	60985210.30I	1	Genset Wiring Ext. 30 M. CPC			
1I	60974552	1	3-way Wiring Wxtension for Auxiliary Kits 4 m			
1J	60900165	1	3-way Wiring Extension for Auxiliary Kits 6 m			
1K	60900166	1	3-way Wiring Extension for Auxiliary Kits 12 m			
1L	60900167	1	3-way Wiring Extension for Auxiliary Kits 24 m			
1M	60972104	1	Double Panel SCO 12 M. Harness			
1N	60972105	1	Double Panel SCO 24 M. Harness			
1O	60972110	1	Double Panel SCO 36 M. Harness			
1P	60972145	1	Double Panel SCO 45 M. Harness			



D_MI33GTST_06_1		Alternator 11 GT/GTC Y 14 GTA/GTAC			
FIG.	REF.	QTY	DESCR.	FROM	UPTO
1A	60511311SRC	1	AI.SINCRO III 11KVA 1500 400/230V (RC)		
1B	60511311SRS	1	AI.SINCRO III 11KVA 1500 400/230V (RS)		
1C	60511312SRC	1	AI.SINCRO III 11KVA 1500RPM 230V (RC)		
1D	60511312SRS	1	AI.SINCRO III 11KVA 1500RPM 230V (RS)		
1E	60511314SRC	1	AI.SINCRO III 14KVA 1800 480/277V (RC)		
1F	60511314SRS	1	AI.SINCRO III 14KVA 1800 480/277V (RS)		



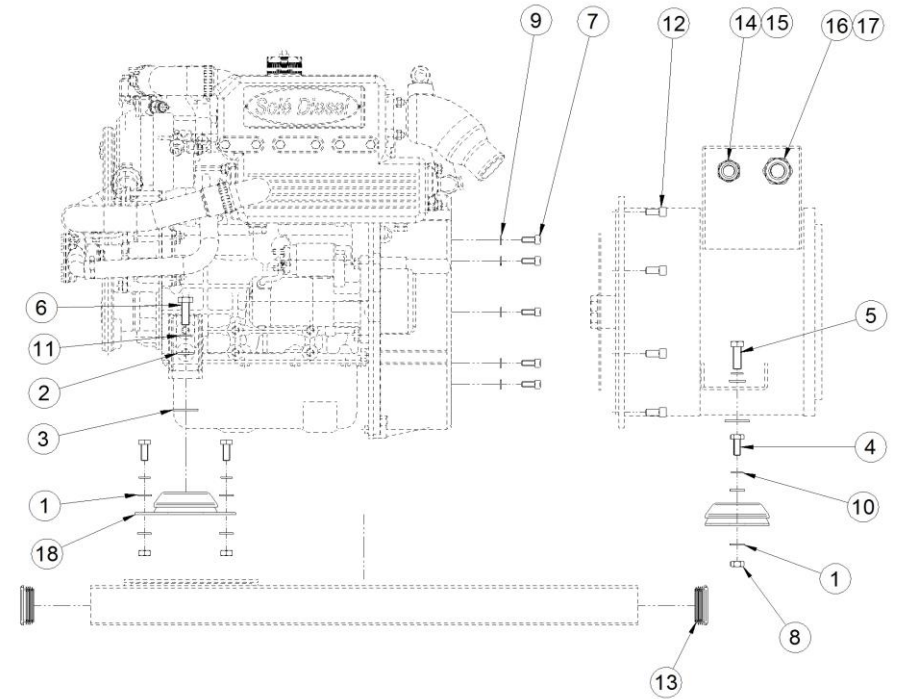
D_60511311S		Alt.SINCRO III 11KVA 1500RPM 400/230V			
FIG.	REF.	QTY	DESCR.	FROM	UPTO
1	60511317S.1	1	Fan SK160M- 4P		
2	(*)	1	Not available [NP]		
3	60574340.10	1	Diode Bridge SK160-S/C/L/M		
4	60511325S.1	1	Bearing 6206 2RS/C3		
5	60511107S.13	1	Rear Shield		
6	60511325S.2	1	Exciter stator SK160C-, M-, L-		
7	60511317S.2	1	EMC filter SK160SM-		
8	60511325S.3	1	Rear shield cover		
9	60511336S.03	1	IP23 Grid		
10	60511325S.4	1	Kit disks 7,5"		
11	60511317S.3	1	Top cover SK160M-		
12	60511107S.35.1	1	Electronic Board AVR BL4 U		
13A	60511317S.4	1	Terminal box SK160M-		
13B	60511317S.5	1	Terminal box SK160M-		
14A	60511325S.5	1	M6 insulator clamp		
14B	60511336S.02	1	M8 Insulator Clamp		
15	60511325S.6	1	Exc. rotor SK160C-, M-, L- 4P		
16A	60511325S.7	1	M6 terminal board		
16B	60511336S.04	1	M8 Terminal Board		
17	60511336S.05	1	Fuse 5x20 3,15A F		
18	60511336S.06	1	Cover on Regulator Side		
19	UMSINCRO1	1	SINCRO SK160 Special Tool		



[NP] Not provided



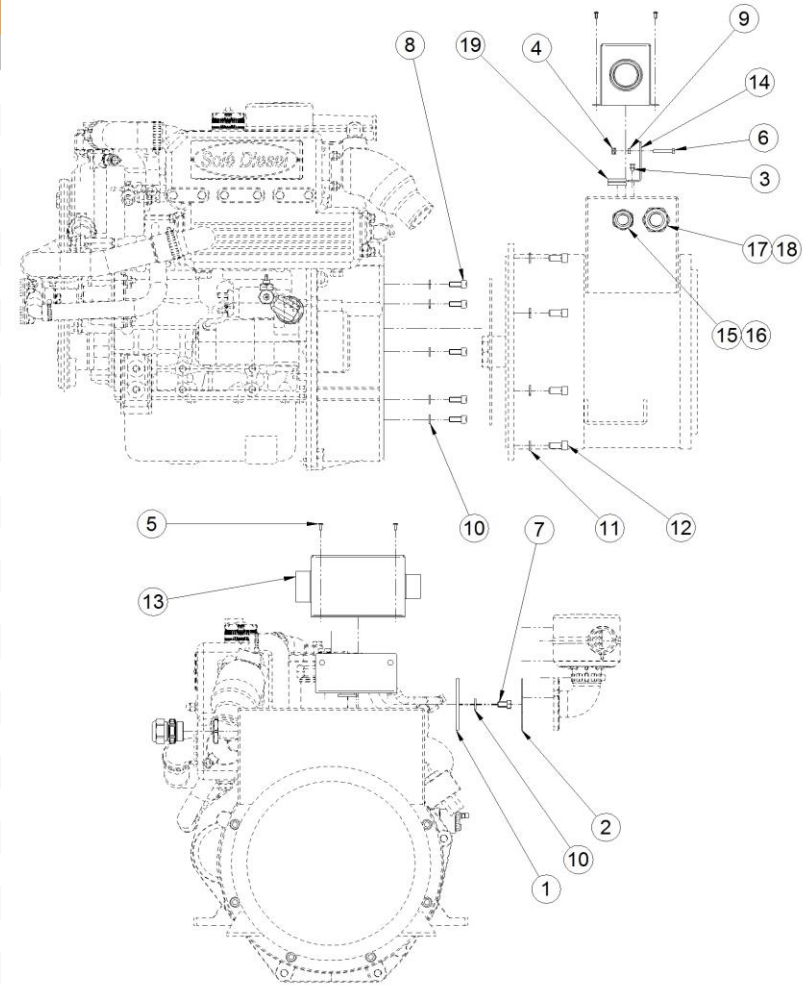
D_60572106 Alternator Kit Without Canopy						
FIG.	REF.	QTY	DESCR.	FROM	UPTO	
1	51030010	16	Washer DIN 125-10			
2	51030012	4	Washer DIN 125-12			
3	51031012	4	Washer DIN 9021 12			
4	52102307	8	Bolt DIN 933 M10-20 8.8			
5	52102359	2	Bolt DIN 933 M12-30 8.8			
6	52102360	2	Bolt DIN 933 M12-35 8.8			
7	52103257	8	Bolt DIN 912 M8-20 8.8			
8	52120010	8	Nut DIN 934 M10 8.8			
9	53033008	8	Washer GROWER DIN 127-8			
10	53033010	8	Washer GROWER DIN 127-10			
11	53033012	4	Washer Grower DIN 127-12			
12	60539017	8	ALT. SINCR0 FASTENING Bolt			
13	60539019	4	LID (60 Tube)			
14	60900306	1	Connector Press CAPTOR-2000 M25 RAL7001			
15	60900309	1	Screw Connector Press Captor-2000 M25			
16	60900310	1	Connector Press CAPTOR-2000 M32 RAL7001			
17	60900311	1	Screw Connector Press Captor-2000 M32			
18	61673001	4	Engine Mount Type F 35 SHA M12 H 34			
NS	53104257	4	Bolt DIN 7984 M8-20 12.9 [NS]			
NS	58088282	4	Pastic Cable Zip Tie [NS]			
NS	60511112S.81	2	16 mm Hexagon Plug [NS] [NP]			
NS	60900158	1	Terminal Tubular Sleeve (1.5) [NS]			
NS	TR.1.5.8	4	Ring Terminal 1.5 Sec. [NS]			



[NP] Not provided

[NS] Not shown

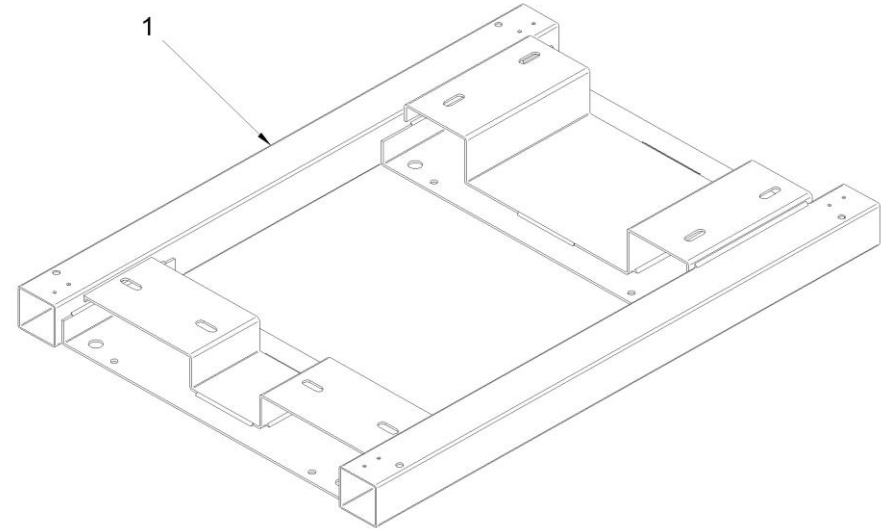
D_60572062 Alternator Kit Without Canopy						
FIG.	REF.	QTY	DESCR.	FROM	UPTO	
0	51058054	4	Aluminium Rivet 4.0 X 10			
1	17210029	1	Air Elbow Flange			
2	17221034	1	Gasket, Inlet Pipe			
4	51123005	4	Nut DIN 985 M5 5.6			
5	51918054	4	Bolt DIN 7981C 3,5-9,5			
6	52102110	2	Bolt DIN 933 M5-30 8.8 CINCADO			
7	52102256	2	Bolt DIN 933 M8-16 8.8			
8	52103257	8	Bolt DIN 912 M8-20 8.8			
9	52120005	2	Nut DIN 934 M5 8.8			
10	53033008	14	Washer GROWER DIN 127-8			
11	53033010	8	Washer GROWER DIN 127-10			
12	60539017	8	ALT. SINCRO FASTENING Bolt			
13	60573041.71	1	REGULATOR Bracket Box			
14	60573041.72	1	VOLT REGULATOR Bracket Box			
15	60900306	1	Connector Press CAPTOR-2000 M25 RAL7001			
16	60900309	1	Screw Connector Press Captor-2000 M25			
17	60900310	1	Connector Press CAPTOR-2000 M32 RAL7001			
18	60900311	1	Screw Connector Press Captor-2000 M32			
19	60900517	1	Cover,wiring			
NS	51030005	8	Washer DIN 125-5 [NS]			
NS	52102104	2	Bolt DIN 933 M5-10 8.8 [NS]			
NS	53104257	4	Bolt DIN 7984 M8-20 12.9 [NS]			
NS	60900510	1	Emergency Stop PUSH BOTTOM [NS]			
NS	60900511	1	Stop PUSH BOTTOM Body [NS]			
NS	60972072A	1	N BLUE Breaker TO ALT. SYStem [NS]			
NS	60972072G	1	W GRAY Breaker TO ALT. SYStem [NS]			
NS	60972072M	1	V BROWN Breaker TO ALT. SYStem [NS]			
NS	60972072N	1	U BLACK Breaker TO ALT. SYStem [NS]			
NS	60972085	1	FOUR PoleS 16A DISConnector [NS]			



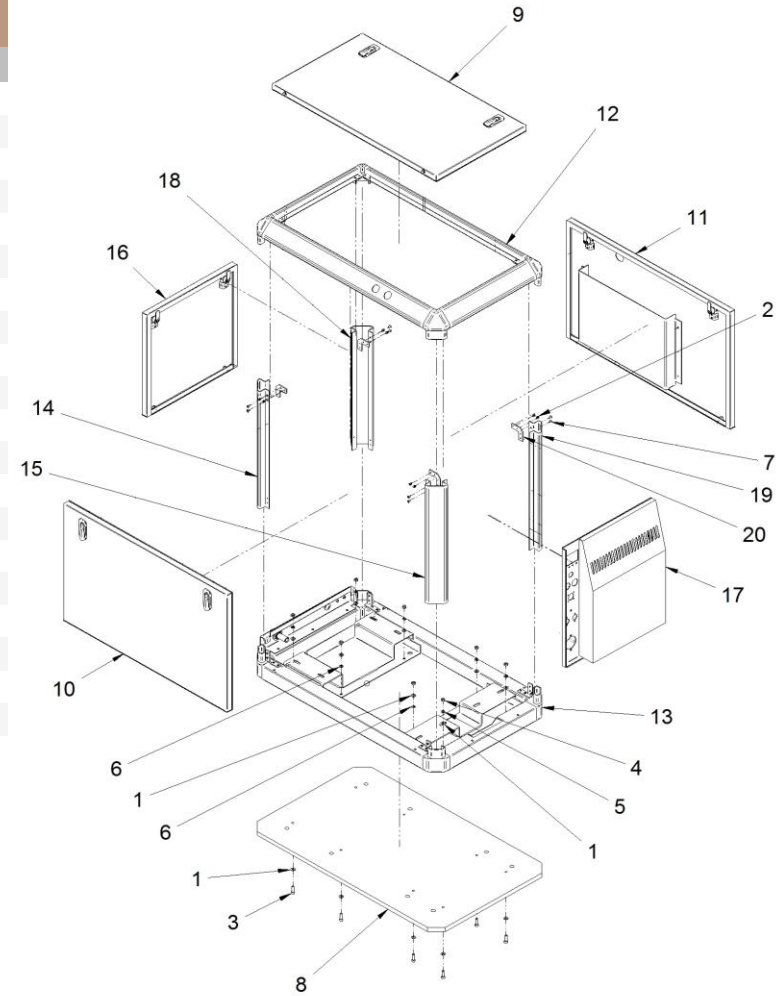
[NS] Not shown



D_60572041.01		Genset Chassis				
FIG.	REF.	QTY	DESCR.	FROM	UPTO	
1	60572041.01	1	Genset CHASSIS			



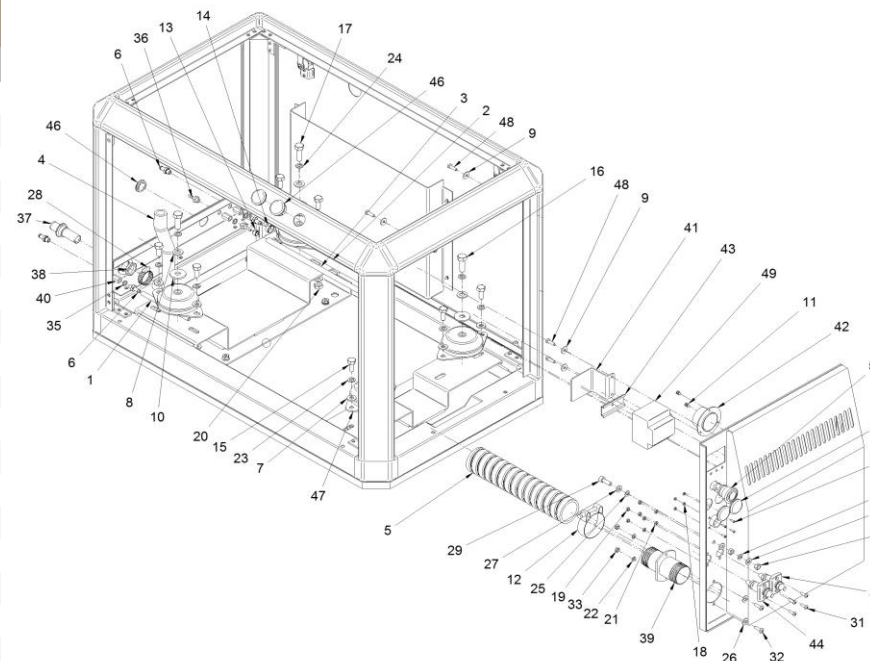
D_AWGC_4_1		Cabin				
FIG.	REF.	QTY	DESCR.	FROM	UPTO	
1	51030008	16	Washer DIN 125-8			
2	51058054	24	Aluminium Rivet 4.0 X 10			
3	52103258	8	Bolt DIN 912 M8-25 8.8			
4	52120008	8	Nut DIN 934 M8 8.8			
5	53033008	6	Washer GROWER DIN 127-8			
6	53038008	2	Washer DIN 6798-A 8			
7	53105104	8	Bolt DIN 7991 M5-10 12.9			
8	60572041.10	1	BASEBOARD			
9	60572041.20	1	Upper Panel			
10	60572041.21	1	Side Panel			
11	60572041.22	1	Air Output Panel			
12	60572041.30	1	Upper FRAME			
13	60572041.61	1	BOTTOM FRAME			
14	60573041.03	1	VERTICAL BAR			
15	60573041.04	1	VERTICAL BAR			
16	60573041.24	1	Front Panel			
17	60573041.25A	1	Back Panel			
18	60573041.31	1	VERTICAL BAR			
19	60573041.32	1	Vertical Bar			
20	60573041.43	4	L Fastening Bracket			







D_AWGC_4_2		Kit Cabin			
FIG.	REF.	QTY	DESCR.	FROM	UPTO
1	M80501006	1	Hose D.10-6 [NP]		
2	M81510817	1	Fuel Hose D. 8-17		
3	M86500512	1,7	Fuel Hose DIN 73379 D. 5-11		
4	M87501927	0,4	Water Intake Hose (HQ) D. 19-27		
5	M88505062	0,7	Exhaust Hose D. 51		
6	13814072	4	Straight Hose Connector 1/8" NPTF		
7	51030010	16	Washer DIN 125-10		
8	51030012	5	Washer DIN 125-12		
9	51031006	4	Washer DIN 9021 6		
10	51031012	4	Washer DIN 9021 12		
11	51058054	3	Aluminium Rivet 4.0 X 10		
12	51083060	2	GP Clamp 59-63 W2		
13	51086011	2	ONE EAR Clamp With Interior Ring 9-10,5		
14	51086015	2	One Ear Clamp With Interior Ring 13-15,3		
15	52102307	8	Bolt DIN 933 M10-20 8.8		
16	52102360	2	Bolt DIN 933 M12-35 8.8		
17	52102361	2	Bolt DIN 933 M12-40 8.8		
18	52120003	4	Nut DIN 934 M3 8.8		
19	52120005	4	Nut DIN 934 M5 8.8		
20	52120010	8	Nut DIN 934 M10 8.8		
21	53033005	4	Washer GROWER DIN 127-5		
22	53033006	2	Washer GROWER DIN 127-6		
23	53033010	8	Washer GROWER DIN 127-10		
24	53033012	4	Washer Grower DIN 127-12		
25	53038008	3	Washer DIN 6798-A 8		
26	54030006	2	Washer DIN 125-6 INOX.		
27	54030008	3	Washer DIN 125-8 INOX.		
28	54082025	2	Clamp DIN 3017 25-40/12 W4		
29	54103258	1	Bolt DIN 912 M8-25 INOX.		
30	54118004	4	Bolt DIN 7985 M3-10 INOX		
31	54118106	4	Bolt DIN 7985 M5-16 INOX		
32	54118157	2	Bolt DIN 7985 M6-20 INOX		
33	54120006	2	Nut DIN 934 M6 INOX		
34	54120008	2	Nut DIN 934 M8		
35	57000361	3	Washer 10-14-1,5		

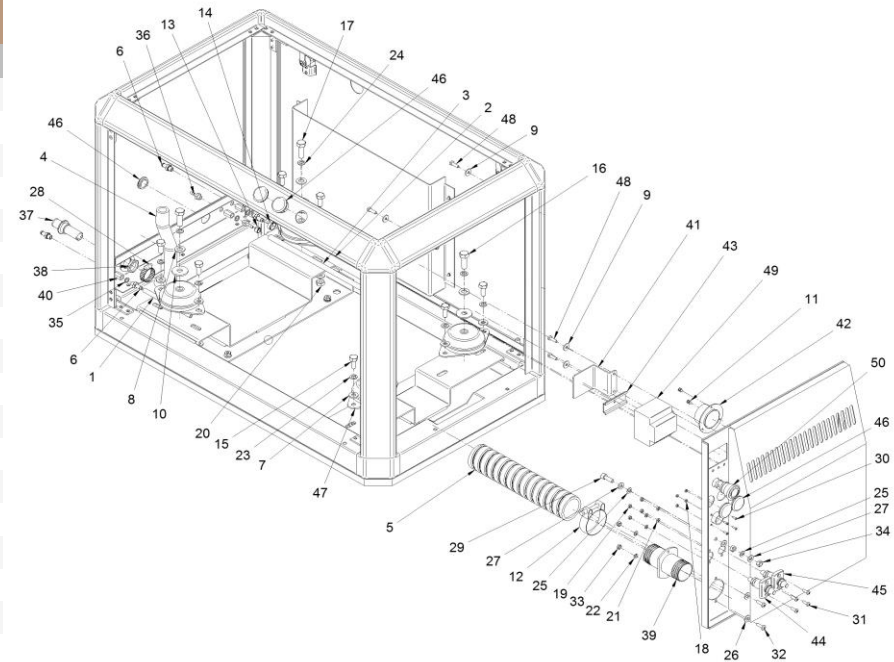


[NP] Not provided  
 [NS] Not shown

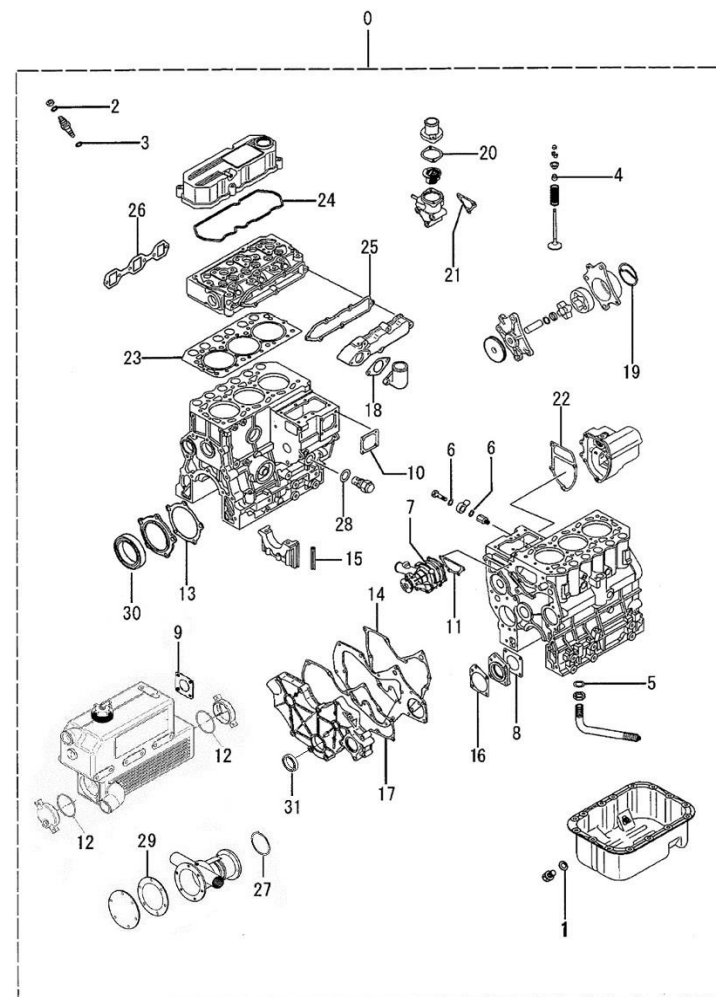




D_AWGC_4_2		Kit Cabin			
FIG.	REF.	QTY	DESCR.	FROM	UPTO
36	60571041.39	2	Gasoil Wall Bushing D.6 MALE		
37	60572014	1	Water Wall Bushing D.20		
38	60572014.1	1	3/4" GAS Nut		
39	60573014	1	Exhaust Wall PASS D.50		
40	60573041.39	3	ROD Coupling 1/8 BSP		
41	60573041.42	1	L FASTENING Bracket With OMEGA		
42	60573041.46	1	Air Connection D.50		
43	60573041.64	1	Switch Disconnecter Omega Bracket		
44	60573047	1	Battery Plug IN		
45	60573048	1	Battery Plug IN		
46	60900508	5	Shutter 31		
47	61673001	4	Engine Mount Type F 35 SHA M12 H 34		
48	52102157	4	Bolt DIN 933 M6-20 8.8		
49	60972085	1	FOUR PoleS 16A DISConnector		
50	60900510	1	Emergency Stop PUSH BOTTOM		
NS	52102254	1	Bolt DIN 933 M8-10 8.8 [NS]		
NS	52202357	1	Bolt DIN 933 M12-1,25-20 8.8 [NS]		
NS	53038012	1	Washer DIN 6798-A 12 [NS]		
NS	54081016	2	Clamp DIN 3017 16-27/9 W4 [NS]		
NS	54082032	2	Clamp DIN 3017 32-50/12 W4 [NS]		
NS	58018160	4	Screw [NS]		
NS	60972073	1	0,25 M. CHASSIS TO MOTOR Wiring GROUND [NS]		
NS	60972074	1	0,44 M. Back Panel To Alt. Wiring Ground [NS]		
NS	60972090	2	TER. PROTECTIVE 20 RED [NS]		
NS	60972091	3	TER. PROTECTIVE 20 BLACK [NS]		
NS	60973048	1	BLACK Battery NEGATIVE Wiring [NS]		
NS	60973049	1	RED Battery POSITIVE Wiring [NS]		
NS	60975074	1	Panel Back 0,66 M. Wiring GROUND ALT. [NS]		
NS	M88564500	1	Air Aspiration Hose D. 45 [NS]		
NS	M88565000	0,6	Air Aspiration Hose D. 50 [NS]		

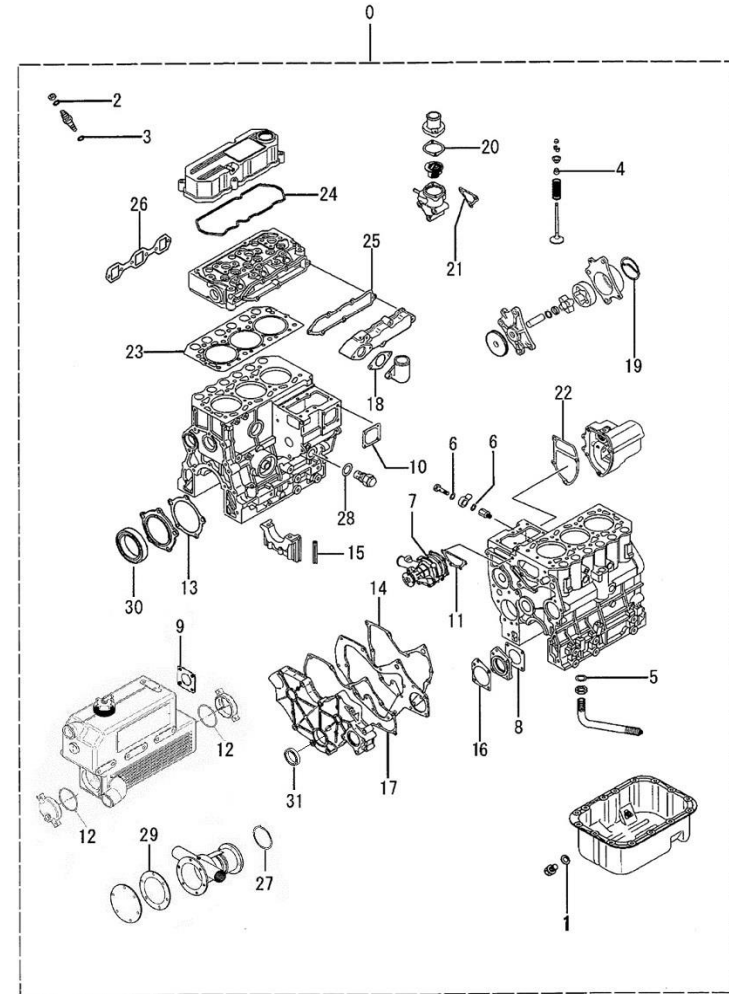


D_17220101G		Gasket Kit			
FIG.	REF.	QTY	DESCR.	FROM	UPTO
0	17220101G	1	Gasket Kit		
1	17420031	2	Gasket,Oil DRAIN		
2	17424025G.1	3	Gasket Fuel Return (Genset)		
3	13824013	3	Injector Washer		
4	13222054	6	Seal Valve Stem		
5	17024001	1	Gasket		
6	17322021	4	Gasket		
7	13221041	1	Gasket Water Pump		
8	13120047	1	Gasket Water Pump		
9	15113043	1	Exhaust Elbow Gasket		
10	13223014	1	Gasket Cover		
11	13221022	1	Gasket Water Pump		
12	13811007	2	O-Ring D. 57X2,5		
13	17220016	1	Gasket, Oil Seal Case		
14	17220018	1	Gasket, Front Plate		
15	17220002	4	Seal, Side		
16	17220038	1	Gasket, Housing		
17	17220040	1	Gasket, Gear Case		
18	17221034	1	Gasket, Inlet Pipe		
19	17224041	1	Packing, Body		
20	17221031	1	Gasket,Thermostat		
21	17221033	1	Gasket, Thermostat Case		
22	17223033	1	Gasket, Governor Case		
23	17221004	1	Gasket, Cylinder Head		
24	17221010	1	Gasket, Rocker Cover		
25	17221032	1	Gasket, Inlet Cover		
26	17221035	1	Gasket, Exhaust Manifold		
27	17011007	1	O-Ring D. 57X3		
29A	31211003	1	Gasket Cover		
29B	37611003	1	O-Ring D. 57x1,5		01/06/2022
29B	37611005	1	O-Ring D. 57X1,78	02/06/2022	
30	17220063	1	Seal, Oil		
31	13220039	1	Seal Oil		
NS	13224059	1	O-Ring D. 19X2,4 [NS]		
NS	13821038	1	O-Ring D. 9X2 [NS]		

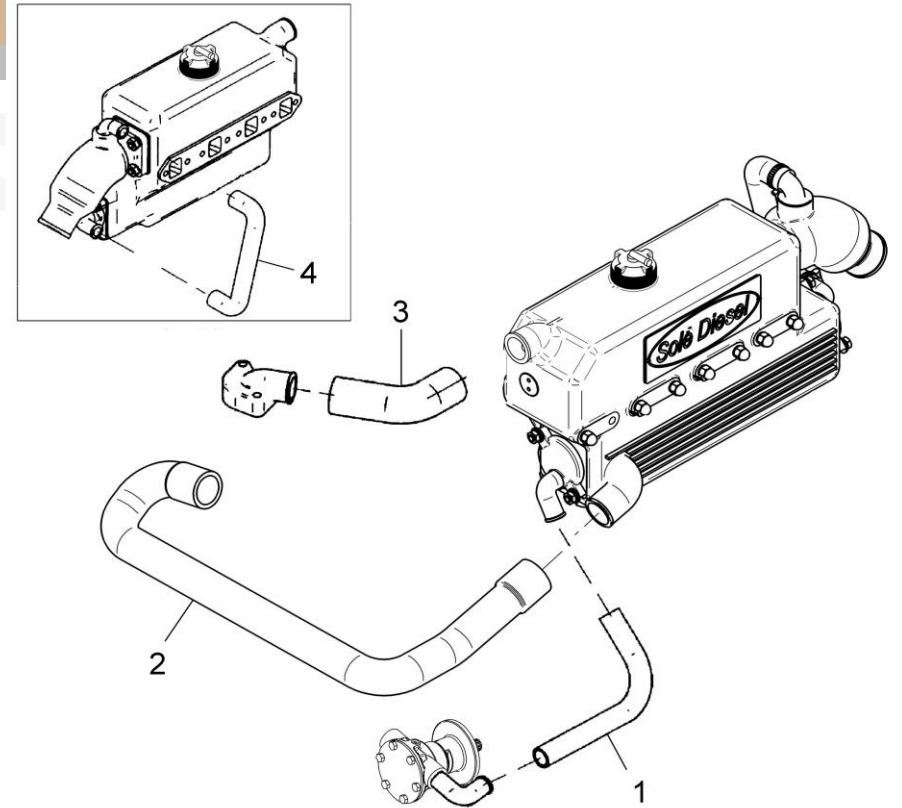


[NS] Not shown

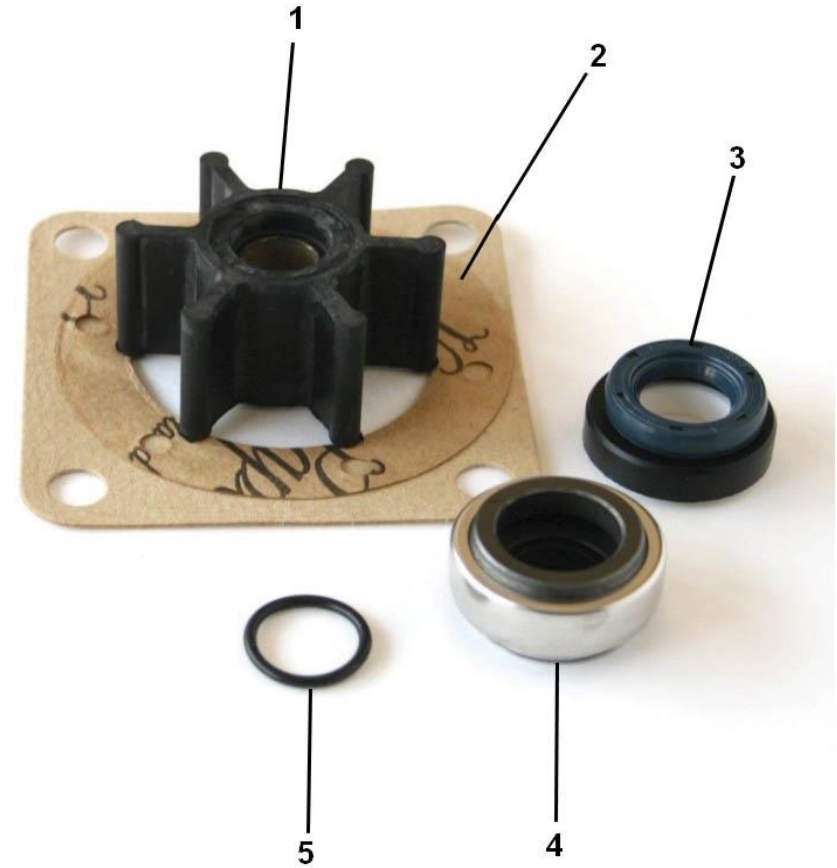
D_17220101G		Gasket Kit			
FIG.	REF.	QTY	DESCR.	FROM	UPTO
NS	17120074	1	Gasket [NS]		
NS	17124055	1	O-Ring D. 65X3 [NS]		
NS	17720042	1	Gasket,REAR Plate [NS]		
NS	17724084	1	PROTECTOR,Oil Inlet [NS]		
NS	17727003	1	Gasket,STARTER [NS]		



17211100.4		Pipe Rubber Set, Water Line				
FIG.	REF.	QTY	DESCR.	FROM	UPTO	
1	17011012	1	Elbow			
2	17211006	1	Hose			
3	17211021	1	Elbow			
4	17211034	1	Rubber WET Exhaust Inlet BEND			



33811000K		Repair Kit Water Pump 1/2"				
FIG.	REF.	QTY	DESCR.	FROM	UPTO	
1	31211008	1	1/2" Impeller			
2	31211003	1	Gasket Cover			
3	33411020	1	Seal			
4	33411019	1	Seal			
5	33311013	1	O-Ring D. 15X2			
NS	17011007	1	O-Ring D. 57X3 [NS]			



[NS] Not shown

37611000K		Repair Kit Water Pump 1/2"				
FIG.	REF.	QTY	DESCR.	FROM	UPTO	
1	31211008	1	1/2" Impeller			
2	37611003	1	O-Ring D. 57x1,5		01/06/2022	
2	37611005	1	O-Ring D. 57X1,78	02/06/2022		
3	33411020	1	Seal			
4	33411019	1	Seal			
5	33311013	1	O-Ring D. 15X2			
NS	17011007	1	O-Ring D. 57X3 [NS]			



[NS] Not shown



D_UTILFA1228_1		Special Tools				
FIG.	REF.	QTY	DESCR.	FROM	UPTO	
1	UMM74007	1	Piston Ring Pliers			
2	U31A9100100	1	Piston pin setting tool			
3	UST332270	1	Compression Gauge Adapter			
4	UST332340	1	Camshaft Bushing Installer			

