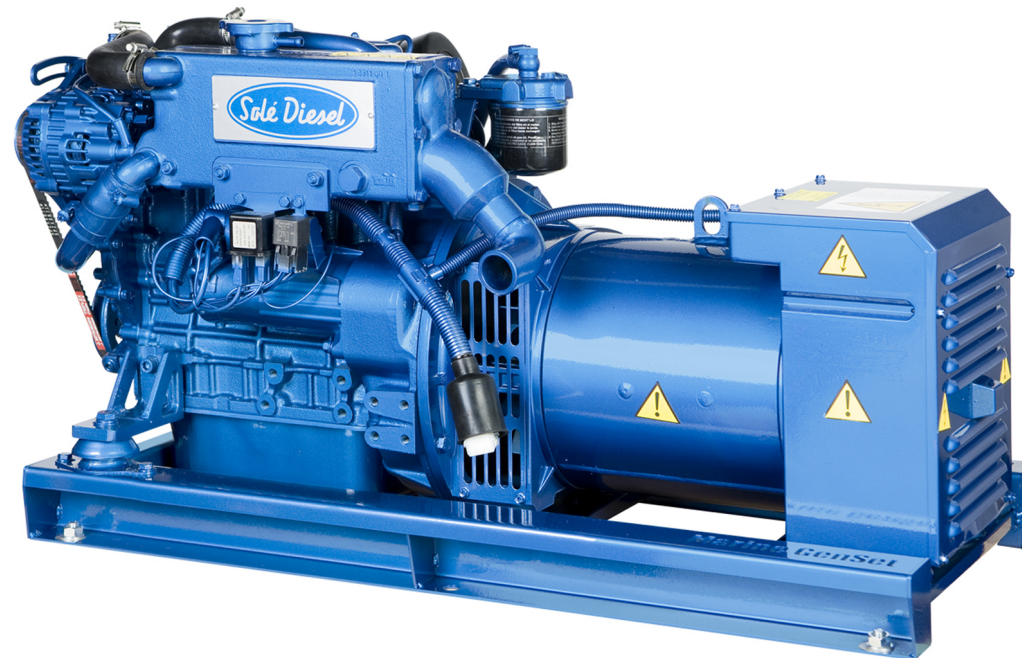




# Genset G-15M-3 & G-15T-3

VERSION 2023-8

SPARE PARTS MANUAL



## PARTS LIST CATALOGUE

### NORMS TO PLACE AN ORDER:

For fast and more efficient service, please specify the following information on spare parts orders that must be preferably done by FAX or e-mail as specified below:

- 1- Engine model: As shown in identification plate
- 2- Engine serial number: As shown in identification plate and stamped on crankcase
- 3- Item description + part number + quantity required

---

### Spare parts requests must be addressed to:

[recambios@solediesel.com](mailto:recambios@solediesel.com)

Telf.: +34 93 775 44 05

Fax: +34 93 775 30 13

---

The components shown in the catalog have:

- Figure: Number by which they are represented in scheme
  - Description: Trade name of the component
  - Quantity: Total number of parts used in the assembly of the part represented (may differ from the total minimum quantities)
- Hoses, indicates the total length in meters
- 

*The diagrams shown in this catalog of spare parts, have only the purpose to identify the piece in question, its representation is not meaningful and may differ from the actual piece.*

*In case of doubt, contact Solé Diesel, or your authorized dealer.*

*The parts i / or references in this catalog are subject to change without notice.*

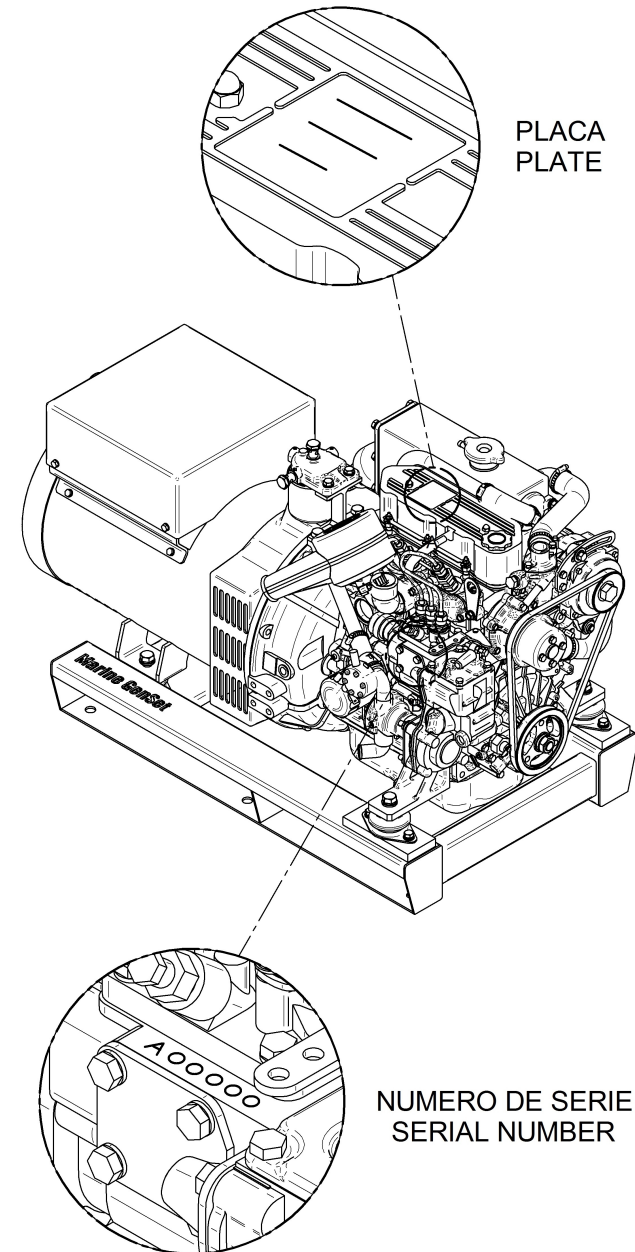
---

**SOLÉ S.A.**

C-243b, Km, 2 - P.O. BOX 15  
08760 Martorell (Barcelona) Spain

---

Download the latest version of this manual [HERE](#)



# Contents



## Engine Body

Cylinder Head  
Rocker Cover & Breather  
Valve Drive  
Timing Parts  
Gear Case  
Crankcase  
Flywheel Housing  
Piston & Connecting Rod  
Crankshaft & Flywheel  
Oil System  
Oil Pan  
Engine Brackets

## Inlet & Exhaust

Inlet

## Cooling System

Water Pump  
Cooler Pipes  
Wet Exhaust  
Water Cooler Assy MINI-29  
Body, Water Cooler And Cap  
Splined Pump 3/8" MINI-48 Gen-26/33/44  
1/2" Pump Water, Set  
Splined Pump 1/2" MINI-11/17/29/33/44

## Fuel System

Fuel Pipe  
Injection Nozzle  
Fuel Injection Pump  
Governor Parts  
Fuel Supply Parts

## Electrical System

12V Electrical Wiring 12V  
Starter Assy 12V  
Kit Alternator 12V/40A  
Panels for Genset  
Panel Components for Genset  
Genset Extension

## Genset Alternator Spare Parts

Alternator G-15M-3  
Alternator G-15T-3

## Genset Alternator Kit

Kit Genset MINI-26 for ECP3-1L/2

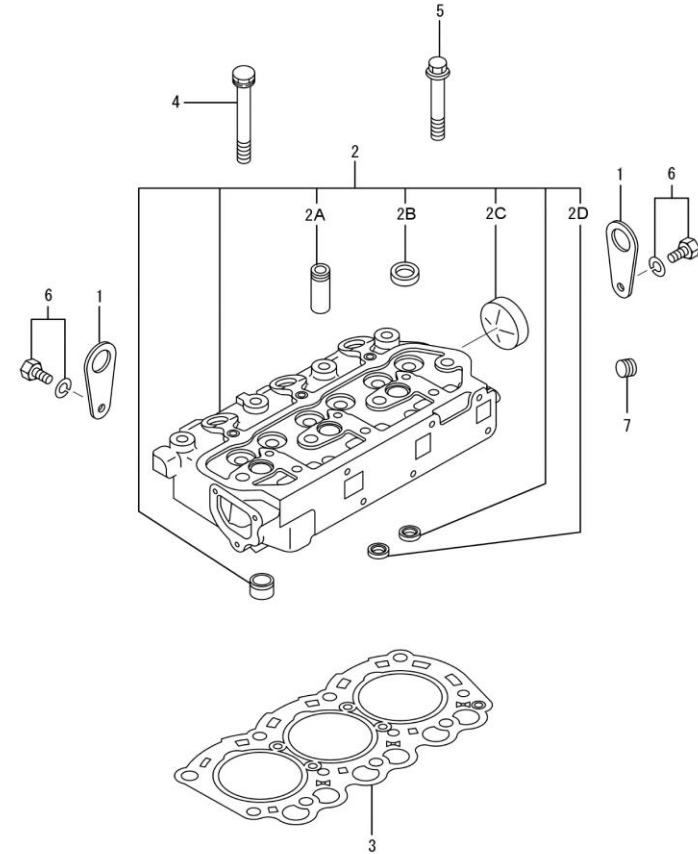
## Chassis Spare Parts

Chassis  
M26 G6M15-G6T15-G15T15 Chassis

## Maintenance Kit

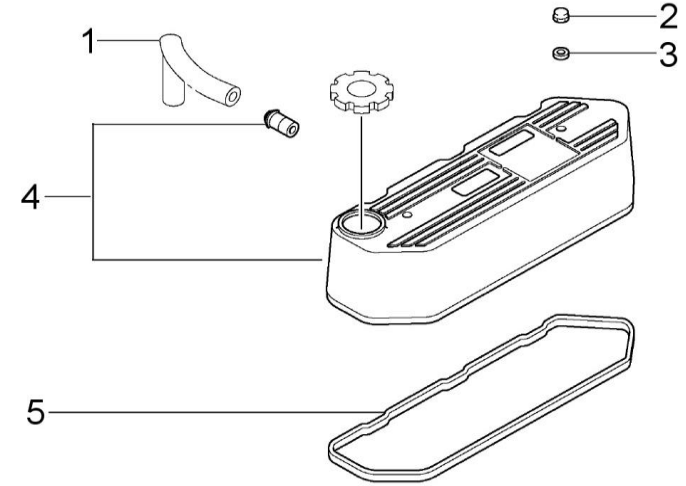
Gasket Kit  
Pipe Rubber Set, Water Line 4 V. MINI-29  
Repair Kit Water Pump 1/2"  
Repair Kit Water Pump 1/2"  
Special Tools

D_GB01_1_1		Cylinder Head				
FIG.	REF.	QTY	DESCR.	FROM	UPTO	
1	13821011	2	HANGER Engine			
2	13921001G	1	Head Assy,Cylinder			
2A	13721002	6	Guide Valve			
2B	13821012	3	Cap			
2C	13520013	1	Cap,SeallNG			
2D	13921061G	3	Seat Valve (Intake)			
3	17621004	1	Gasket,Cylinder Head			
4	13821005	8	Bolt,cylinder head			
5	13821013	3	Bolt,cylinder head			
6	17422037G.1	2	Bolt W/Washer (Generator)			
7	13220023	1	Plug TAPER			



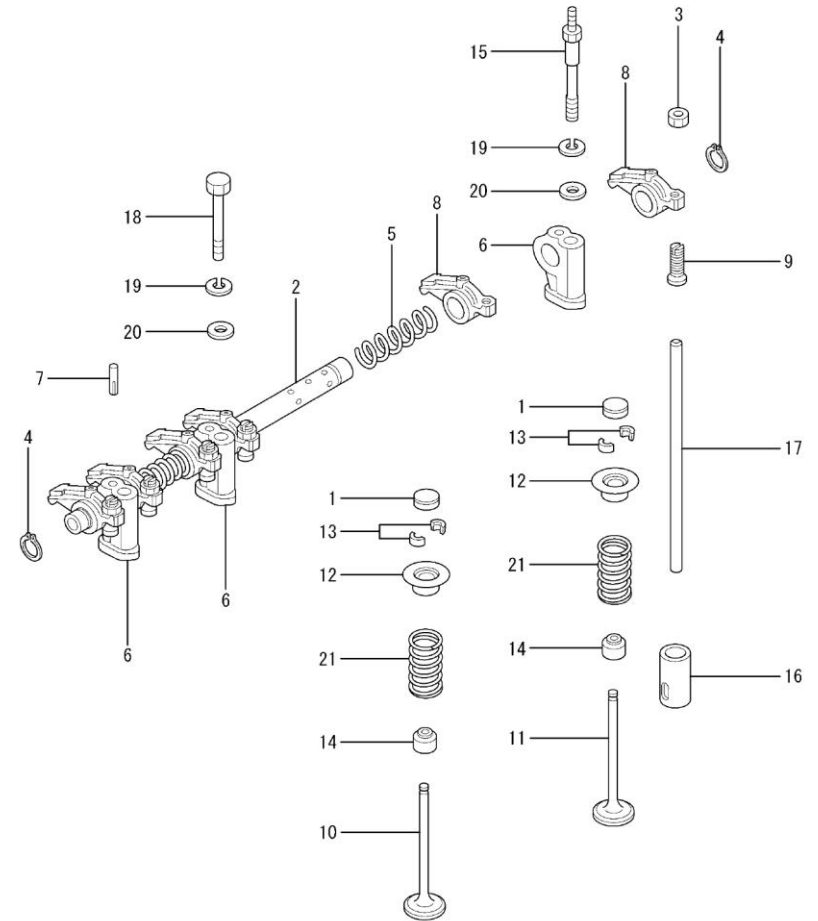


D_GB01_1_2		Rocker Cover & Breather				
FIG.	REF.	QTY	DESCR.	FROM	UPTO	
1	13821006	1	Hose BREATHER			
2	13821018	2	Nut			
3	51030006	2	Washer DIN 125-6			
4	(*)	1	Not available [NP]			
5	13921010	1	Gasket Rocker Cover			

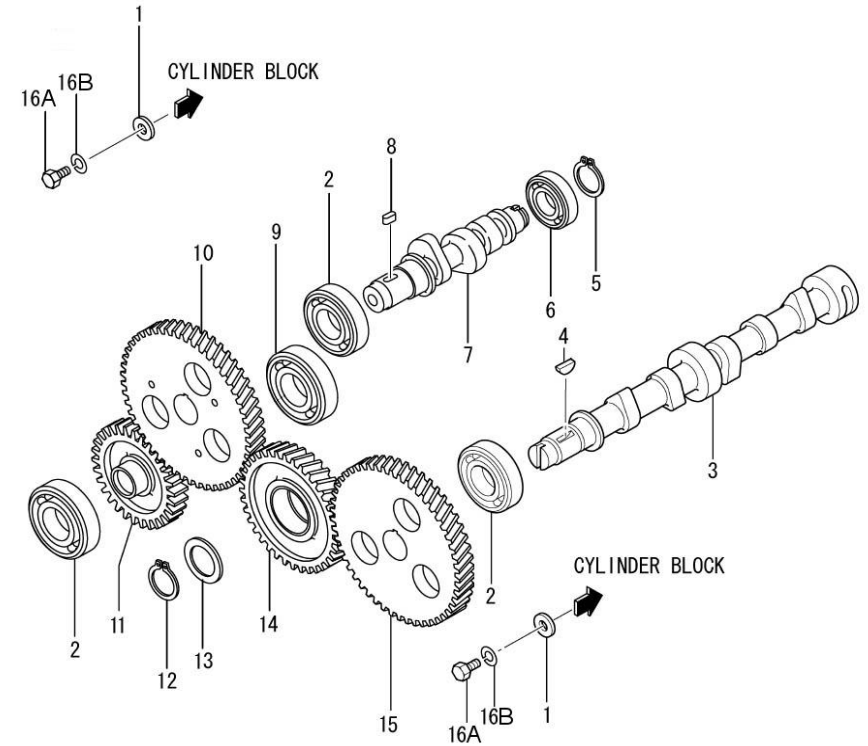


[NP] Not provided

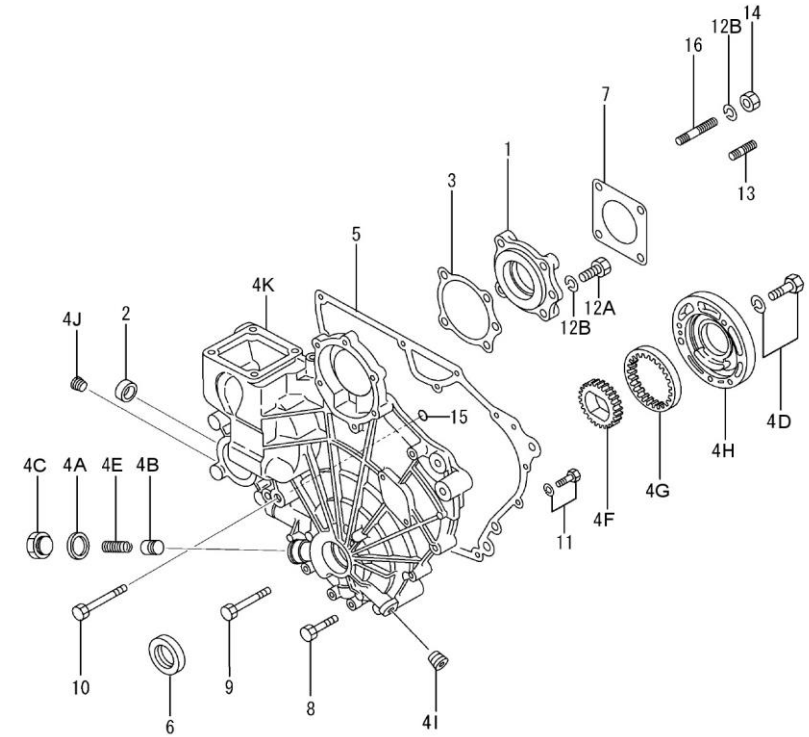
D_GB01_1_3		Valve Drive				
FIG.	REF.	QTY	DESCR.	FROM	UPTO	
1	13822069	6	Cap Stem			
2	13922046	1	Shaft Assy			
3	52120006	6	Nut DIN 934 M6 8.8			
4	53040012	2	CIRClip DIN 471 E-12			
5	17622047.4	2	Spring Rocker Shaft			
6	13722048	3	Rocker Shaft Support	02/08/2017		
7	13822070	1	Pin GROOVED			
8	13822042	6	ARM Rocker			
9	13822044	6	Screw Adjusting			
10	13822055	3	Intake Valve			
11	13822056	3	Exhaust Valve			
12	13822058	6	Retainer Valve SP			
13	13222059	12	Lock Valve			
14	13222054	6	Seal Valve Stem			
15	13822053	2	Bolt Rocker STAY			
16	13822061	6	Tappet			
17	13822041	6	ROD PUSH			
18	52101265	1	Bolt DIN 931 M8-60 8.8			
19	53033008	3	Washer GROWER DIN 127-8			
20	17622051.4	3	Washer			
21	13822057.1	6	Spring,Valve			



D_GB01_1_4 Timing Parts						
FIG.	REF.	QTY	DESCR.	FROM	UPTO	
1	13822033	1	Washer CamShaft Stop			
2	13822057.1	1	Spring,Valve			
3	13922035G.1	1	CamShaft			
4	17622036	1	KEY			
5	53040016	1	CIRclip DIN 471 E-16			
6	17622068.4	1	Bearing Ball			
7	13922040	1	Shaft Fuel INJ.PU			
8	17622060.4	1	Key, Sunk			
9	13822066	1	Ball Bearing 6005-C3			
10	13822043.4	1	Gear,Fuel INJ.Pump Z=52			
11	13922065G	1	Gear Oil Pump			
12	53040020	1	CIRclip DIN 471 E-20			
13	17622034.4	1	Plate DISTANCE			
14	17622038.4	1	Gear Assy,IDLER Z=40			
15	13822037	1	Gear,CamShaft Z=52			
16A	52102155	2	Bolt DIN 933 M6-12 8.8			
16B	53033006	2	Washer GROWER DIN 127-6			

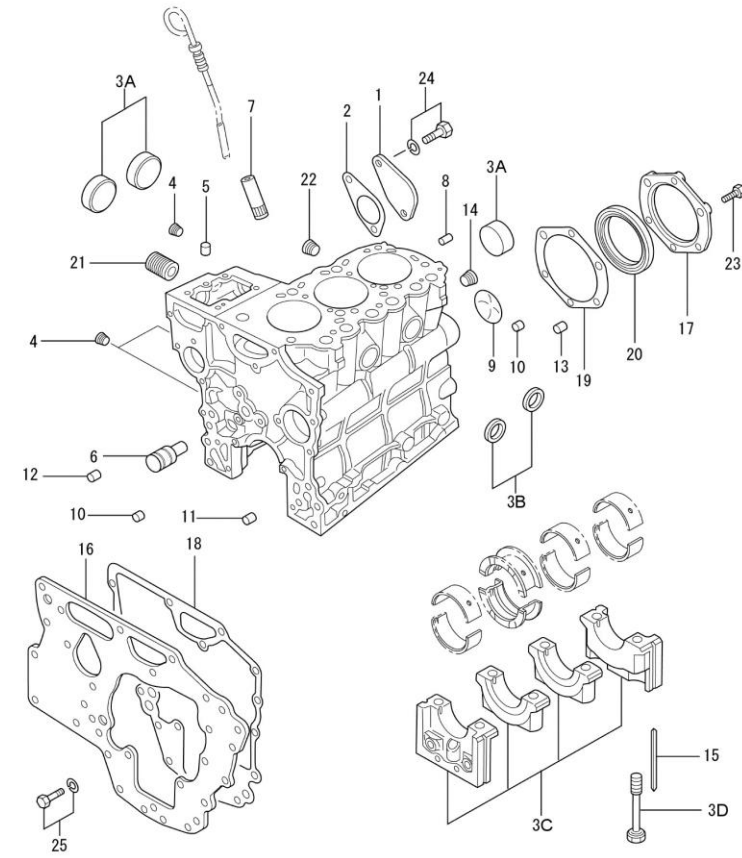


D_GB01_1_5		Gear Case			
FIG.	REF.	QTY	DESCR.	FROM	UPTO
1	13820037	1	Housing Pump Gear		
2	13820045	1	Cap Sealling (20)		
3	13820038	1	Gasket Housing		
4	13820035	1	Case Gear		
4A	56000077	1	Washer 18-23-1,5		
4B	13224043	1	Plunger		
4C	13224045	1	Plug		
4DA	52101159	3	Bolt DIN 931 M6-30 8.8		
4DB	53033006	3	Washer GROWER DIN 127-6		
4E	13824044	1	Spring RELIEF		
4F	13820050	1	Gear Oil Pump INN		
4G	13820051	1	Gear Oil Pump OUT		
4H	13820052	1	Housing Oil Pump		
4I	13220023	1	Plug TAPER		
4J	13821012G	2	Conical Plug		
5	13820040	1	Gasket Gear Case		
6	13820039	1	Oil Seal		
7	13120047	1	Gasket Water Pump		
8	52102160	3	Bolt DIN 933 M6-35 8.8		
9	52102164	4	Bolt DIN 933 M6-55 8.8		
10	52101166	1	Bolt DIN 931 M6-65 8.8		
11	17620054	4	Bolt		
12A	52102258	1	Bolt DIN 933 M8-25 8.8		
12B	53033008	2	Washer GROWER DIN 127-8		
13	13220043	1	Stud L 34		
14	17120049	4	Nut M8		
15	13820044	2	O-Ring D. 11X2,5		
16	13220042	3	Stud L 54		





D_GB01_1_6		Crankcase			
FIG.	REF.	QTY	DESCR.	FROM	UPTO
1	13820011	1	Cover		
2	17620012.4	1	Gasket Cover		
3A	13520013	3	Cap,SeallNG		
3B	13220012	2	Cap Sealing		
3C	(*)	1	Not available [NP]		
3D	13820009.1	8	Bolt Bearing Cap		
4	17620013.4	3	Plug Taper 1/16		
5	17620036.4	2	Pin Dowel	02/08/2017	
6	13820014	1	Shaft IDLER		
7	17620007.4	1	Guide		
8	17620020.4	1	Pin	02/08/2017	
9	13820013	1	Plug Expansion		
10	13720009	2	Bushing (6X9)		
11	17620021.4	1	Bushing		
12	13220021	2	Bushing KNOCK		
13	13520010	3	KNOCK		
14	13220023	1	Plug TAPER		
15	13820002	4	Seal Side		
16	13820017	1	Plate, Front		
17	13820015	1	Case Oil Seal		
18	13820018	1	Gasket Front Plate		
19	13820016	1	Gasket Oil Seal C		
20	13820008	1	Seal Oil		
21	13124047	1	Shaft Oil Filter		
22	17120022	1	Plug, tapered		
23	52102157	6	Bolt DIN 933 M6-20 8.8		
24	17422037G.1	2	Bolt W/Washer (Generator)		
25	17620054	7	Bolt		
NS	17620001	1	Block SUB Assy,CYL [NS]		

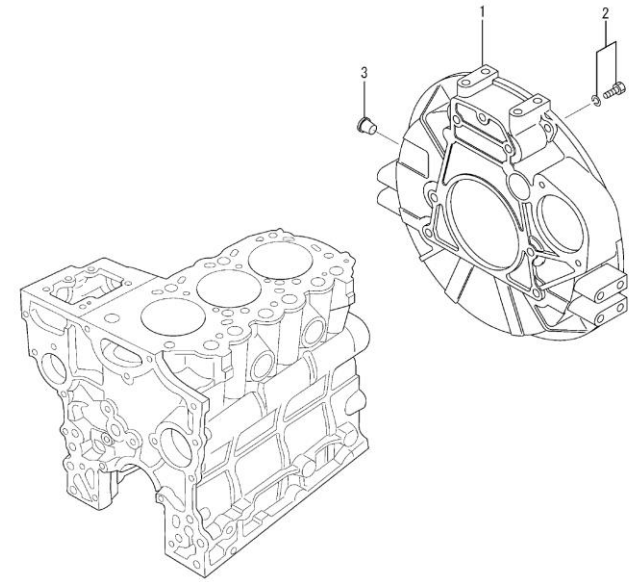


[NP] Not provided

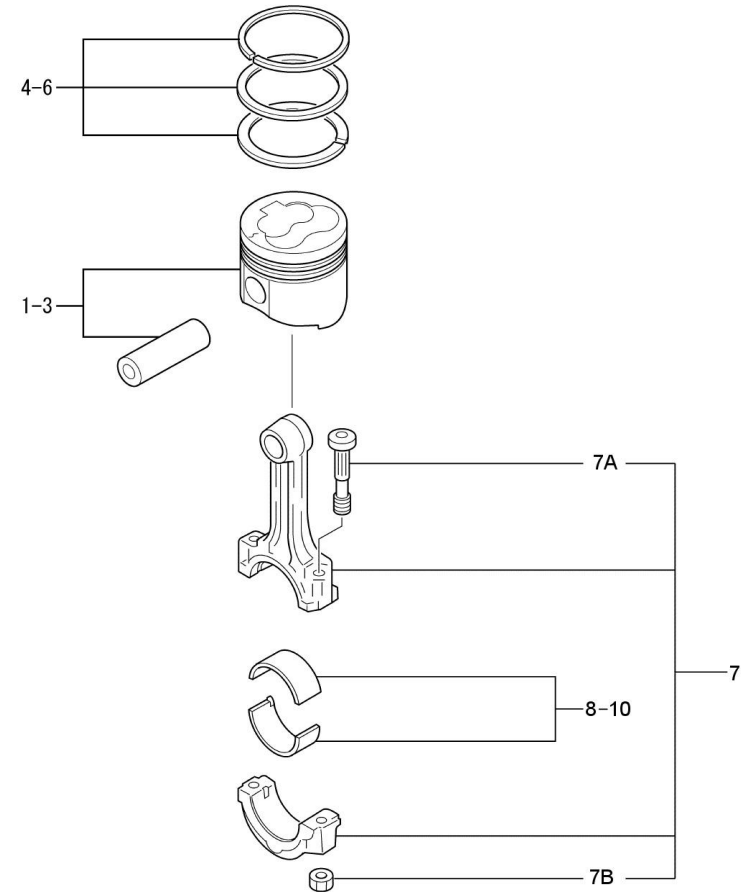
[NS] Not shown



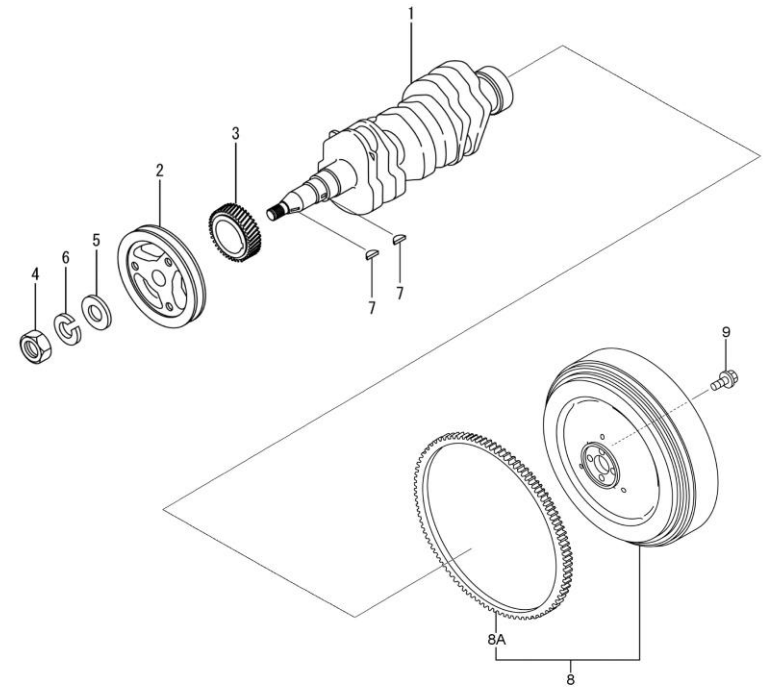
D_GB01_1_7 Flywheel Housing						
FIG.	REF.	QTY	DESCR.	FROM	UPTO	
1	13820002G	1	FLYWEEL Housing			
2	17327129.2	6	Bolt			
3	13820013G	1	Plug (Generator)			



D_GB01_1_8		Piston & Connecting Rod				
FIG.	REF.	QTY	DESCR.	FROM	UPTO	
1	13822001.1	3	Piston & Pin Set STD.			
2	13822002.1	3	PISTON & Pin SET O.S. 0.25			
2	13822002.2	3	PISTON & Pin SET O.S. 0.25			
3	13822003.1	3	Piston & Pin Set O.S. 0.50			
4	13822006	3	Ring Set,Piston STD.			
5	13822007	3	Ring Set,Piston O.S. 0.25			
6	13822008	3	Ring Set,Piston O.S. 0.50			
7	13822012.3	3	Rod Assy (21)			
7A	13222013	6	Bolt,connecting rod			
7B	13222011	6	Nut,connecting rod			
8	13822014	3	Bearing Set,CON-ROD STD.			
9	13822015	3	Bearing Set,Con-Rod U.S. 0.25			
10	13822016	3	Bearing Set,Con-Rod U.S. 0.50			

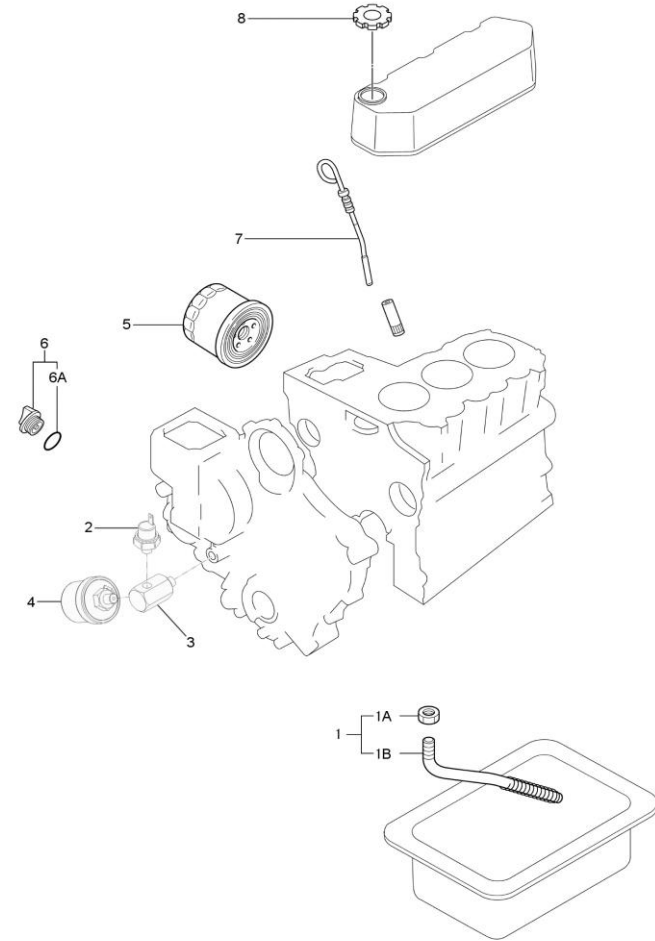


D_GB01_1_9		Crankshaft & Flywheel				
FIG.	REF.	QTY	DESCR.	FROM	UPTO	
1	13922020	1	CrankShaft			
2	17622024.4	1	Pulley CrankShaft			
3	13822021	1	Gear CrankShaft Z=26			
4	13822026	1	Nut			
5	(*)	2	Not available [NP]			
6	53033016	1	1			
7	17622036	2	KEY			
8	13822027.3	1	Flywheel Assy			
8A	13722029	1	Gear Ring Z=106 [NP]			
9	13822031.4	4	Bolt Flywheel			



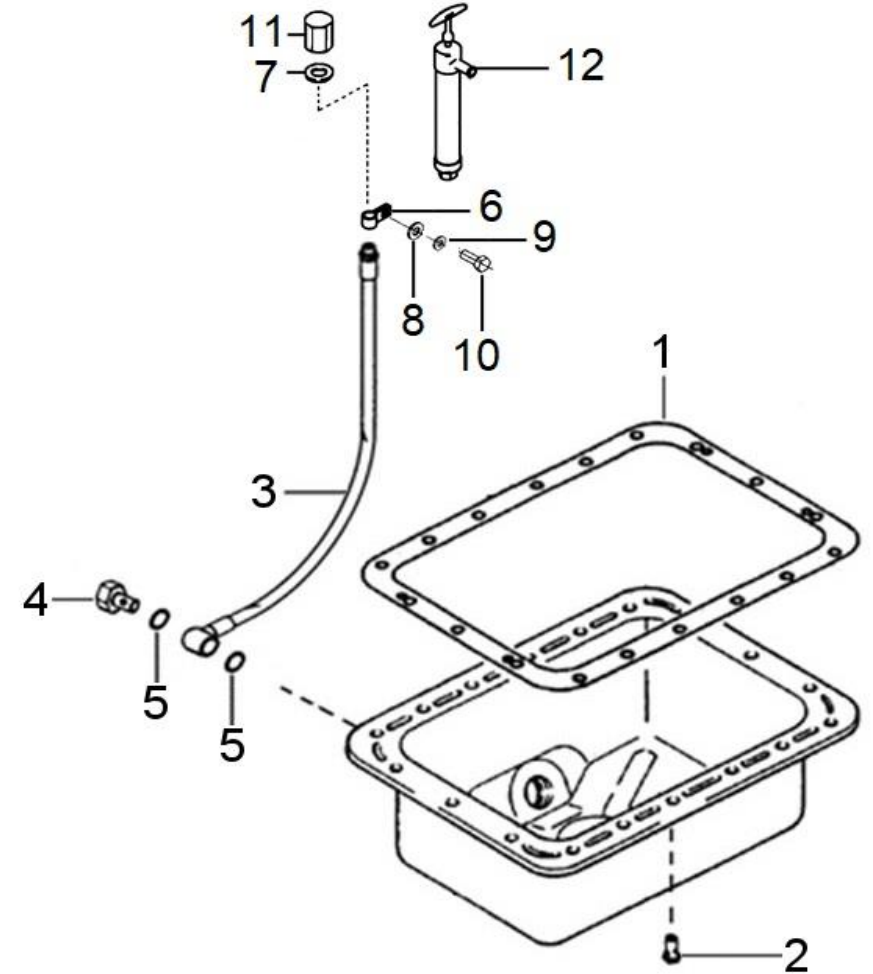
[NP] Not provided

D_GB01_1_10		Oil System				
FIG.	REF.	QTY	DESCR.	FROM	UPTO	
1	13824052	1	SCREEN Assy Oil			
1A	51221014	1	Nut DIN 936 M14X1,5 5.6 ZINC			
1B	(*)	1	Not available [NP]	01/01/2016		
2	13824060	1	SWITCH Assy			
3	13817051	1	Sender Holder			
4	60900985	1	Pressure Sensor			
5	13124051	1	Oil Filter Element from MINI 11 to 55			
6	13521003	1	Cap Oil FILLER		30/01/2020	
6	17621003.5	1	Cap Oil FILLER	05/02/2020		
6A	13721007	1	O-Ring D. 30X3			
7	13820029	1	Gauge Oil Level			
8	17621003	1	Cap Oil FILLER			

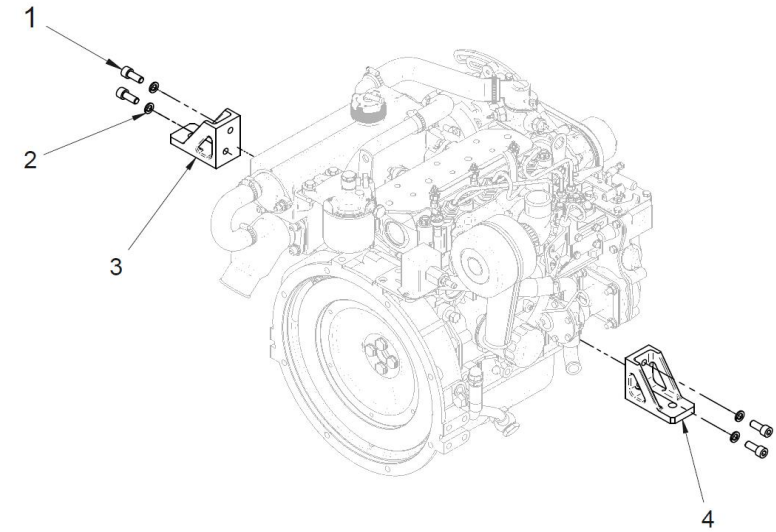


[NP] Not provided

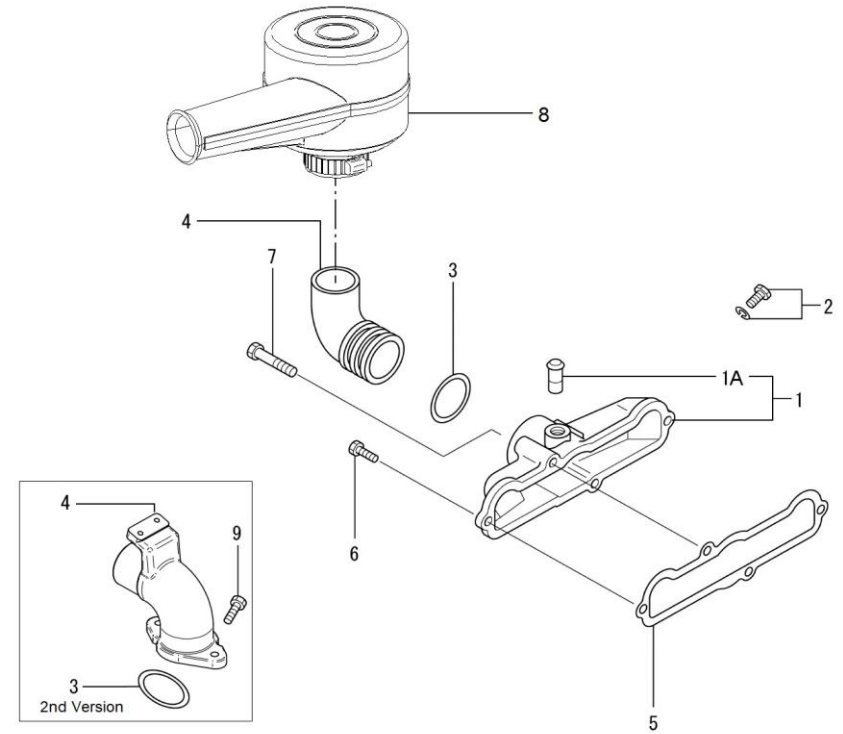
D_GB01_1_11		Oil Pan				
FIG.	REF.	QTY	DESCR.	FROM	UPTO	
2A	52102155	18	Bolt DIN 933 M6-12 8.8			
2B	53033006	1	Washer GROWER DIN 127-6			
3	13814021	1	ExtraCTION, hose			
4	16514022	1	Coupling,screw 18x150			
5	56000077	2	Washer 18-23-1,5			
6	17114023	1	Bracket,pipe			
7	56000217	1	Washer 13-20-3			
8	51030010	1	Washer DIN 125-10			
9	53033010	1	Washer GROWER DIN 127-10			
10	52202307	1	Bolt DIN 933 M10-1,25-20 8.8			
11	16514020	1	Plug			
12	14714001	1	Oil Extraction Pump			



D_GB01_1_12		Engine Brackets				
FIG.	REF.	QTY	DESCR.	FROM	UPTO	
1	52203308	4	Bolt DIN 912 M10-1,25-25 12.9 Blued			
2	53033010	4	Washer GROWER DIN 127-10			
3	13910004G.1	1	Front Bracket			
4	13910003G.1	1	Front Bracket			



D_GB01_2_1		Inlet				
FIG.	REF.	QTY	DESCR.	FROM	UPTO	
1	13921030	1	Cover Assy Intake			
1A	(*)	1	Not available [NP]			
2	13821033.1	1	Bolt,W/Washer		19/09/2017	
2A	52102155	1	Bolt DIN 933 M6-12 8.8	20/09/2017	19/12/2019	
3	13821042	1	O-Ring D. 40X3,5			
3	17621042	1	Gasket			
4	13821029	1	Pipe Intake			
4	17610027	1	Bend Filter Air			
5	17621032	1	Gasket Intake COV			
7	52101162	2	Bolt DIN 931 M6-45 8.8			
8	13810074	1	Air Filter	15/02/2017		
9A	52102157	2	Bolt DIN 933 M6-20 8.8			
9B	53038006	2	Washer DIN 6798-A 6			

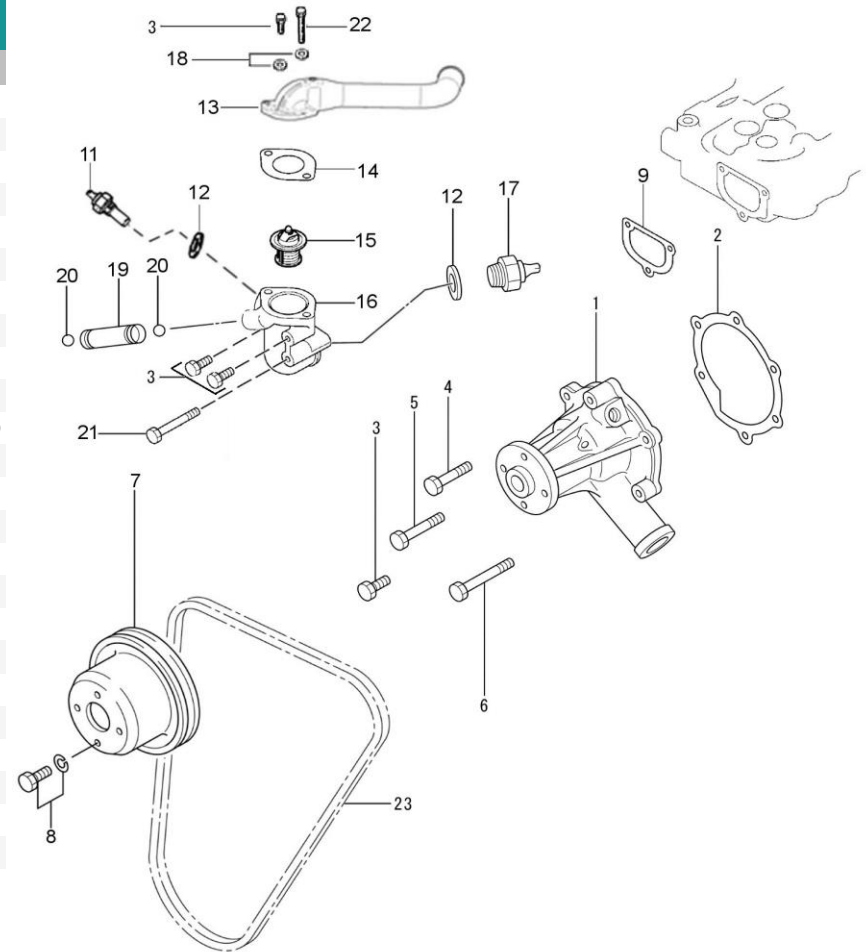


[NP] Not provided



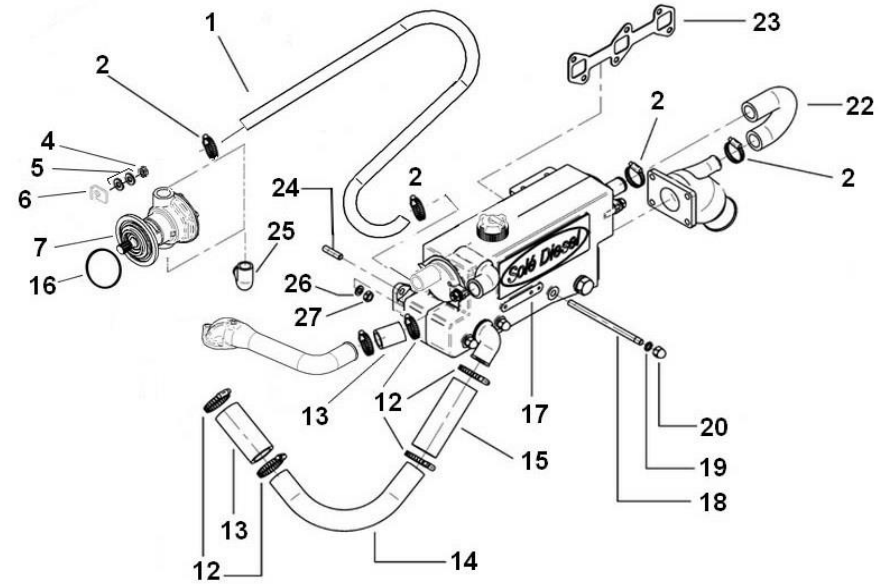


D_GB01_3_1 Water Pump						
FIG.	REF.	QTY	DESCR.	FROM	UPTO	
1	13821020	1	Fresh Water Pump			
2	13821022	1	Gasket Water Pump			
3	52102157	5	Bolt DIN 933 M6-20 8.8			
4	52102160	1	Bolt DIN 933 M6-35 8.8			
5	52101162	1	Bolt DIN 931 M6-45 8.8			
6	52102164	2	Bolt DIN 933 M6-55 8.8			
7	13921021	1	Pulley Water Pump			
8A	52102155	4	Bolt DIN 933 M6-12 8.8			
8B	53033006	4	Washer GROWER DIN 127-6			
9	13821033	1	Gasket Thermostat	25/03/2020		
9	17621033.4	1	Gasket Thermostat	27/03/2018	25/03/2020	
11	60900980	1	Temperature Sensor			
12	56000073	2	Copper Washer 16-23-1,5			
13	13811020.1	2	Cover			
14	13821031	1	Gasket Water OutL			
15	13821027	1	Thermostat 71°			
16	13821037.1	1	FITTING Thermostat New			
17	60900070	1	Thermo-Switch 97°C			
18	53038006	2	Washer DIN 6798-A 6			
19	17621026.4	1	Pipe BYPASS			
20	13821038	2	O-Ring D. 9X2			
21	52101165	1	Bolt DIN 931 M6-60 8.8			
22	52101163	1	Bolt DIN 931 M6-50 8.8			
23	13821228	1	Belt Type SPZX 900			



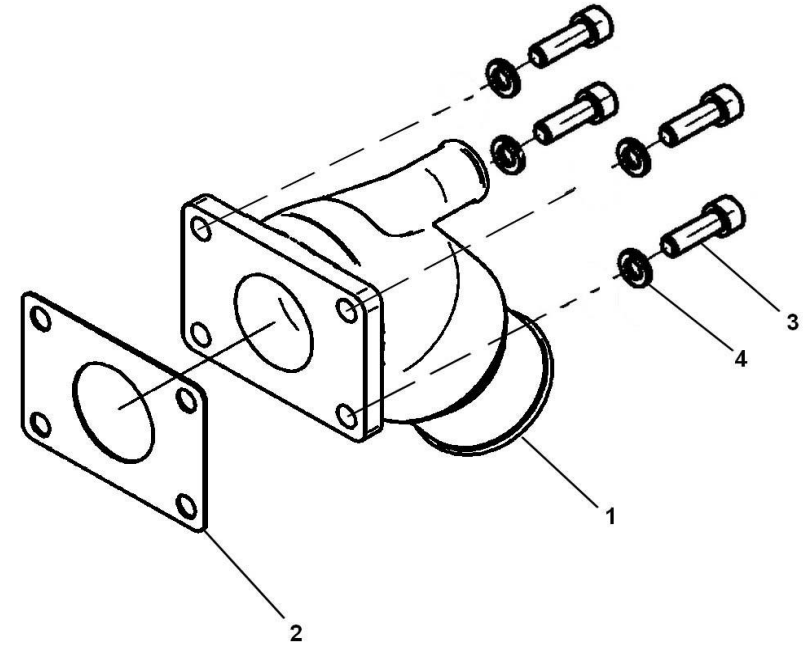


D_GB01_3_4		Cooler Pipes				
FIG.	REF.	QTY	DESCR.	FROM	UPTO	
1	M87501927	0,75	Water Intake Hose (HQ) D. 19-27			
2	54081020	3	Clamp DIN 3017 20-32/9 W4			
4	17120049	4	Nut M8			
5A	51030008	4	Washer DIN 125-8			
5B	53033008	4	Washer GROWER DIN 127-8			
6	13811062	4	Pump Bracket			
7	37611000	1	Splined Pump 1/2" MINI-11/17/29/33/44	22/05/2017		
12	54081025	6	Clamp DIN 3017 25-40/9 W4			
13	13811017	2	Pipe 28-38-80			
14	13811014	1	Elbow			
15	17611002	1	Pipe 28-38-110			
16	17011007	1	O-Ring D. 57X3			
17	17611000.1R	1	Water Cooler Assy MINI-29 (Spare Part)			
18	13811018	1	Manifold, mounting stud			
19	56000057	1	Washer 8-13-1,5			
20	55122008	1	Nut DIN 1587 M8			
22	17611034	1	Hose			
23	17621035	1	Gasket, Exhaust			
24	14711008	3	Stud, cover			
25	13211035	2	Exhaust Manifold Outlet Bend			
26	53038008	3	Washer DIN 6798-A 8			
27	54120008	3	Nut DIN 934 M8			



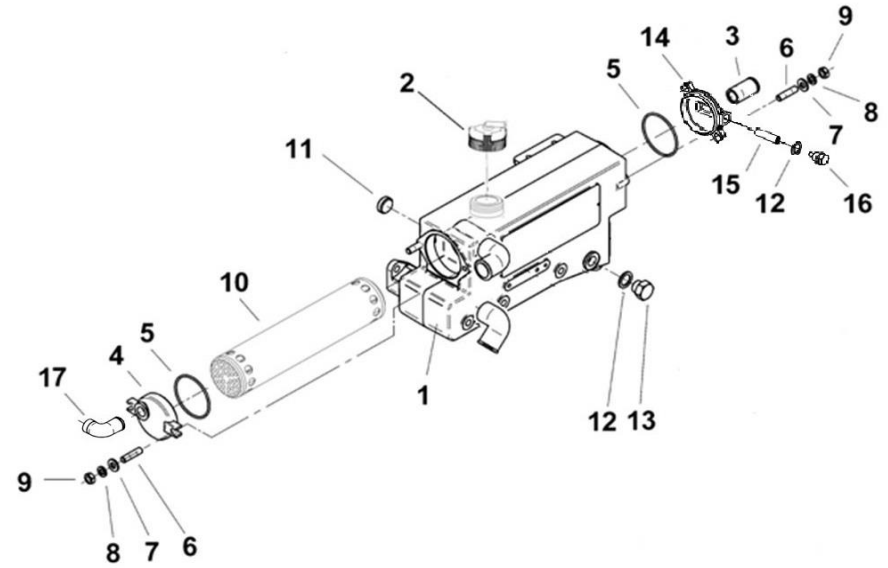


D_GB01_3_5		Wet Exhaust				
FIG.	REF.	QTY	DESCR.	FROM	UPTO	
1	17613015G	1	Elbow, WET Exhaust GEN.Set		24/03/2023	
1	17613016G	1	Elbow, Wet Exhaust Genset	24/03/2023		
2	17613014	1	Gasket			
3	52103257	4	Bolt DIN 912 M8-20 8.8			
4	53033008	4	Washer GROWER DIN 127-8			

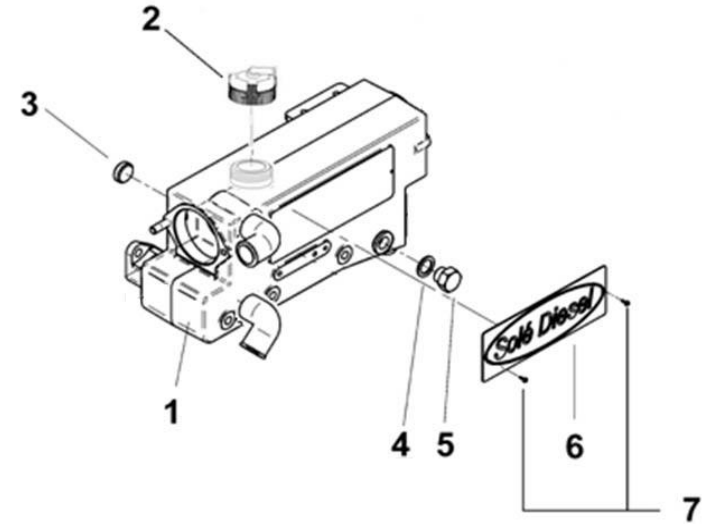




D_17611000.1REC		Water Cooler Assy MINI-29			
FIG.	REF.	QTY	DESCR.	FROM	UPTO
1	17611001	1	Body, Water Cooler		
2	13811010	1	Cap		
3	13211031	1	Raccord 1/2"		
4	13811002	1	Water Cooler Cover		
5	13811007	2	O-Ring D. 57X2,5		
6	13311006	4	Stud,cover		
7	51030008	4	Washer DIN 125-8		
8	53033008	4	Washer GROWER DIN 127-8		
9	54120008	4	Nut DIN 934 M8		
10	17211004	1	Tubular Bundle		
11	12113092	1	Plug		
12	56000073	2	Copper Washer 16-23-1,5		
13	12111076	1	Plug		
14	13811042	1	Water Cooler Cover		
15	13811043	1	Engine Anode 29.5 mm M.8		
16	18011009	1	Anode Plug		
17	13211035	1	Exhaust Manifold Outlet Bend		

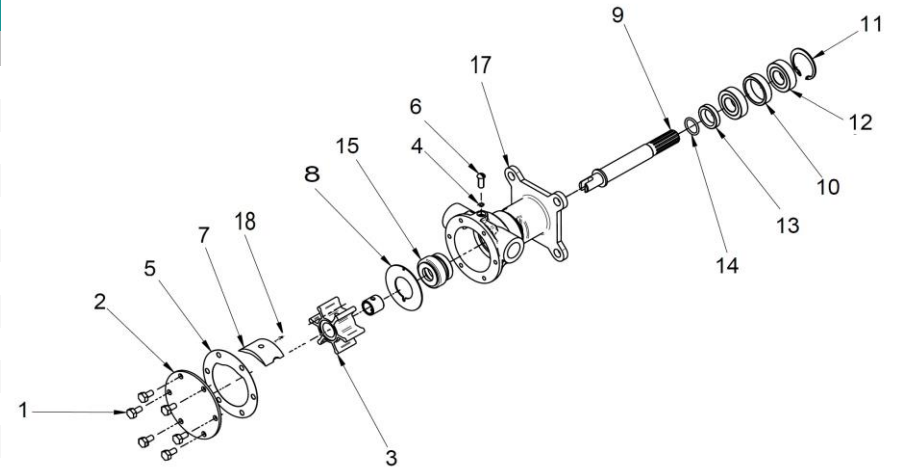


17611001C		Body, Water Cooler And Cap				
FIG.	REF.	QTY	DESCR.	FROM	UPTO	
1	17611001	1	Body, Water Cooler			
2	13811010	1	Cap			
3	12113092	1	Plug			
4	56000073	1	Copper Washer 16-23-1,5			
5	12111076	1	Plug			
6	17111060	1	Plate "SOLE Diesel"			
7	17111062	2	Bolt			



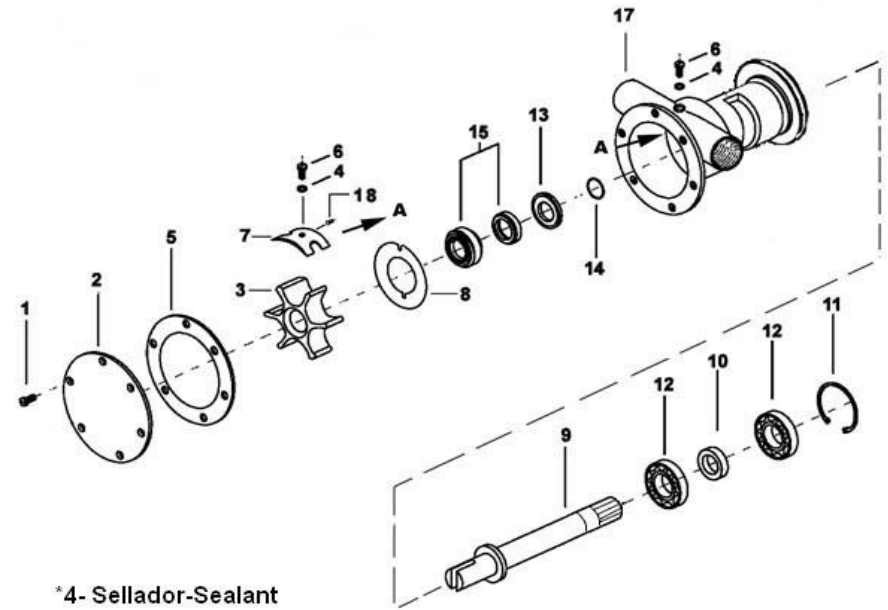


37011200		Splined Pump 3/8" MINI-48 Gen-26/33/44			
FIG.	REF.	QTY	DESCR.	FROM	UPTO
1	54102104	6	Bolt DIN 933 M5-10 INOX.		
2	31211002	1	Cover Pump		
3	31211008	1	1/2" Impeller		
5	31211003	1	Gasket Cover		
6	55307105	1	Bolt DIN 86 W3/16-13		
7	31211005	1	Cam		
8	33411026	1	Wearplate		
9	37011210	1	Shaft,water pump		
10	33411015	1	Spacer 32X26X8		
11	53041032	1	CIRClip DIN 472 I-32		
12	33411014	2	Ball Bearing 6002-C3		
13	33411020	1	Seal		
14	33311013	1	O-Ring D. 15X2		
15	33411019	1	Seal		
17	33411001	1	Body,Water Pump		
18	33411017	1	Pin,Dowel		



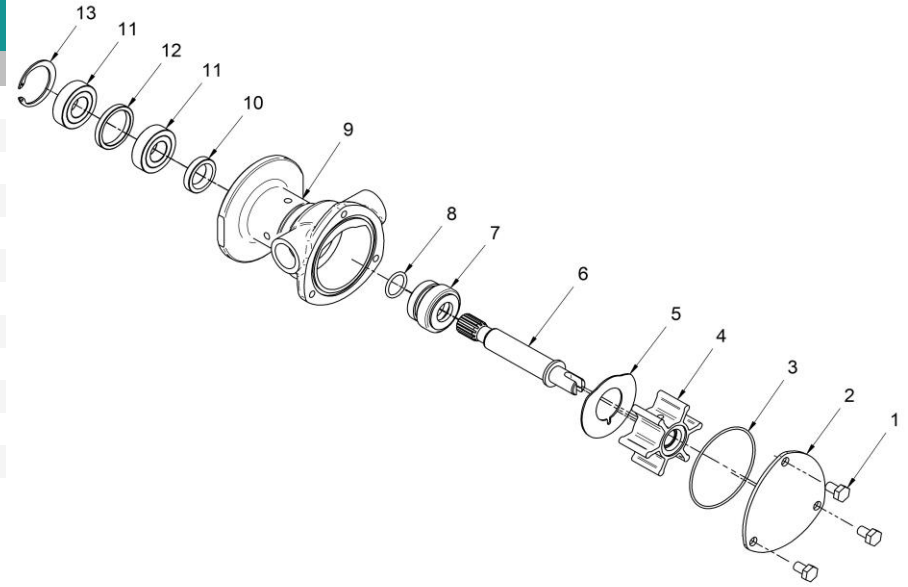
\*4 - Sellador - Sealant

33811000		1/2" Pump Water, Set			
FIG.	REF.	QTY	DESCR.	FROM	UPTO
1	54102104	6	Bolt DIN 933 M5-10 INOX.		
2	31211002	1	Cover Pump		
3	31211008	1	1/2" Impeller		
5	31211003	1	Gasket Cover		
6	55307105	1	Bolt DIN 86 W3/16-13		
7	31211005	1	Cam		
8	33411026	1	Wearplate		
9	33811010	1	Shaft,Water Pump		
10	33811015	1	Spacer		
11	53041032	1	CIRClip DIN 472 I-32		
12	33411014	2	Ball Bearing 6002-C3		
13	33411020	1	Seal		
14	33311013	1	O-Ring D. 15X2		
15	33411019	1	Seal		
17	33811001	1	Body,Water Pump [NP]		
18	33411017	1	Pin,Dowel		



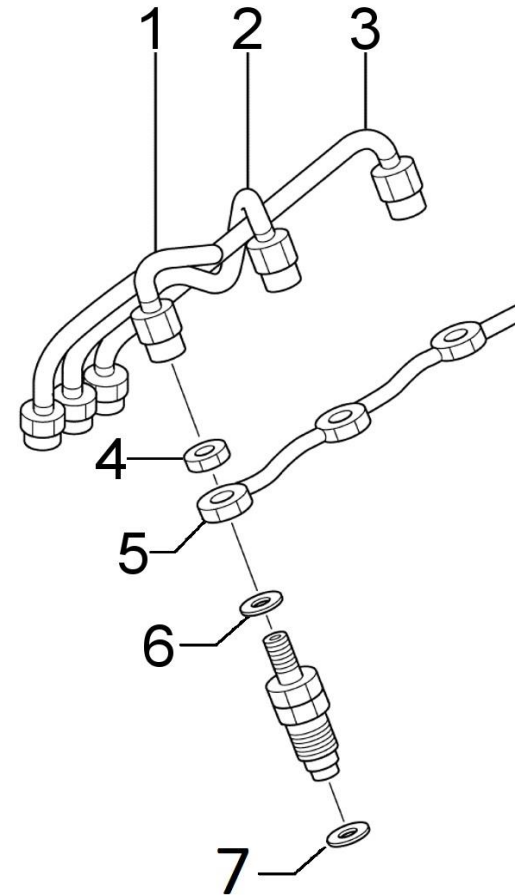
[NP] Not provided

37611000		Splined Pump 1/2" MINI-11/17/29/33/44			
FIG.	REF.	QTY	DESCR.	FROM	UPTO
1	54102154	3	Bolt DIN 933 M6-10 INOX		
2	37611002	1	Cover Pump		
3	37611003	1	O-Ring D. 57x1,5		01/06/2022
4	31211008	1	1/2" Impeller		
5	37611026	1	Plate, Friction		
6	33811010	1	Shaft, Water Pump		
7	33411019	1	Seal		
8	33311013	1	O-Ring D. 15X2		
9	37611001	1	Body, Water Pump 1/2"		
10	33411020	1	Seal		
11	33411014	2	Ball Bearing 6002-C3		
12	33811015	1	Spacer		
13	53041032	1	CIRClip DIN 472 I-32		

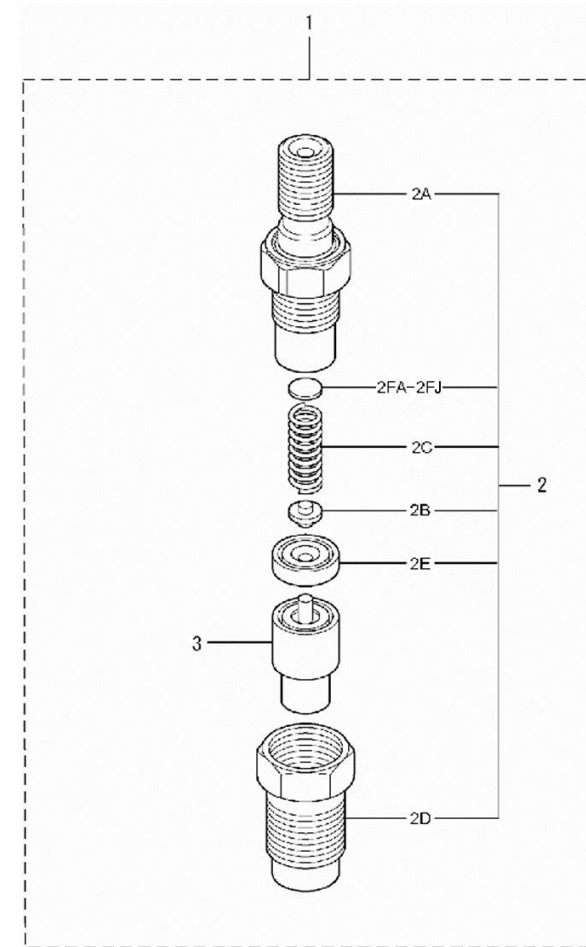




D_GB01_4_1		Fuel Pipe				
FIG.	REF.	QTY	DESCR.	FROM	UPTO	
1	13824015.1	1	Pipe Injection N.1			
2	13824016.1	1	Pipe Injection N.2			
3	13924019.1	1	Pipe Injection N.3			
4	13824024	3	Nut			
5	13924026	1	Tube gasoil SPILL			
6	17424025G.1	3	Gasket Fuel Return (Genset)			
7	13824013	3	Injector Washer			



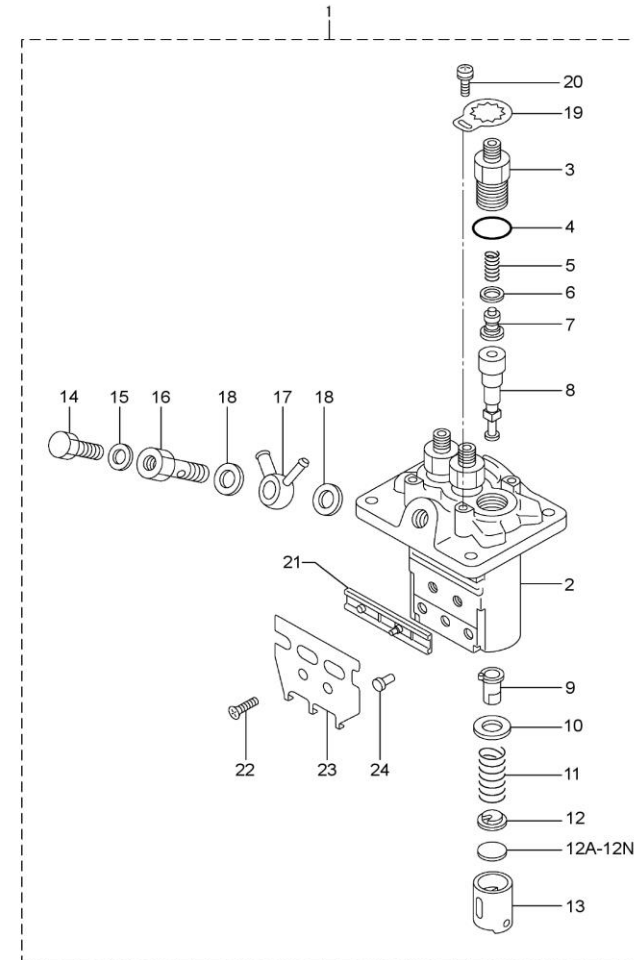
D_GB01_4_2 Injection Nozzle						
FIG.	REF.	QTY	DESCR.	FROM	UPTO	
1	13826001	3	Nozzle & Holder A			
2	13824013	3	Injector Washer			
2A	(*)	3	Not available [NP]	01/01/2016		
2B	13826003	3	Pin Pressure			
2C	17226004	3	Spring, Pressure [NP]			
2D	13826006	3	Nut RETAINING			
2E	13826007	3	PIECE DISTANCE		07/01/2020	
2FA	13826010	0	Washer 1,25 [VAR]			
2FB	13826011	0	Washer 1,30 [VAR]			
2FC	13826012	0	Washer 1,35 [VAR]			
2FD	13826013	0	Washer 1,40 [VAR]			
2FE	13826014	0	Washer 1,45 [NP] [VAR]			
2FF	13826015	0	Washer 1,50 [VAR]			
2FG	13826016	0	Washer 1,55 [VAR]			
2FH	13826017	0	Washer 1,60 [VAR]			
2FI	13826019	0	Washer 1,65 [VAR]			
2FJ	13826020	0	Washer 1,70 [VAR]			
3	13826018	3	Nozzle Assy			



[NP] Not provided

[VAR] Variable according to repair

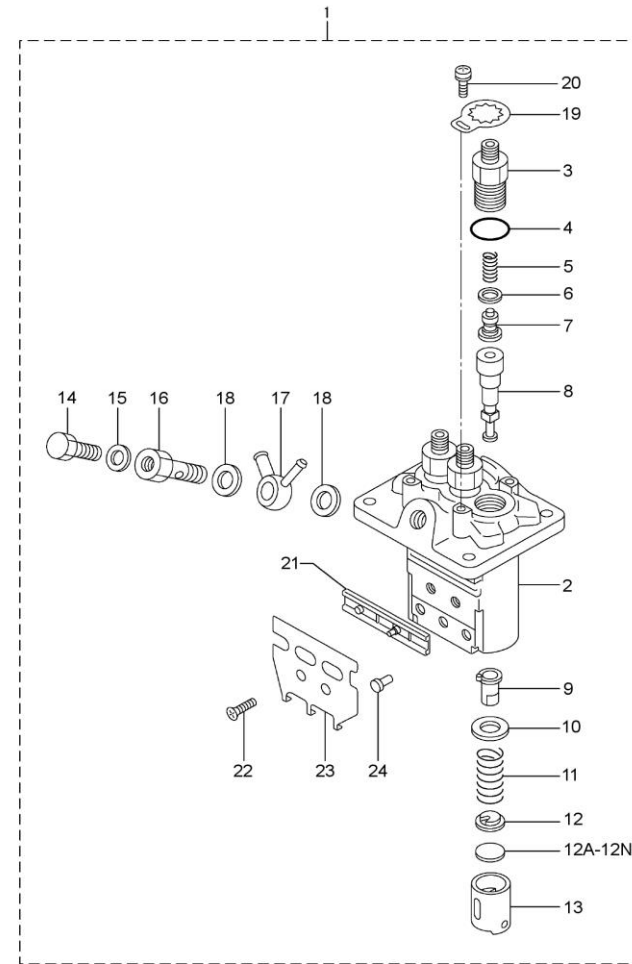
D_GB01_4_3		Fuel Injection Pump																																																																																																		
FIG.	REF.	QTY	DESCR.	FROM	UPTO																																																																																															
1	13925001G	1	Pump Assy,Fuel Injection																																																																																																	
2	13925005	1	Housing SUB Assy																																																																																																	
3	13825004	3	Holder																																																																																																	
4	13825033	3	O-Ring D. 15X1,8																																																																																																	
5	13825002	3	Spring [NP]																																																																																																	
6	13125007	3	Gasket DELIVERY V																																																																																																	
7	13825008.1	3	Valve SUB Assy																																																																																																	
8	13825009	3	Element SUB Assy																																																																																																	
9	13825010	3	SLEEVE SUB Assy																																																																																																	
10	13825011	3	Seat																																																																																																	
11	13825012	3	Spring																																																																																																	
12	13825013	3	Seat																																																																																																	
12A	13925015G	0	Plate Tappet Shim 1,85 [VAR]																																																																																																	
12B	13825016G	0	Plate Tappet Shim 1,90 [VAR]																																																																																																	
12C	13925017G	0	Plate Tappet Shim 1,95 [VAR]																																																																																																	
12D	13925018G	0	Plate Tappet Shim 2,00 [VAR]																																																																																																	
12E	13925019G	0	Plate Tappet Shim 2,05 [VAR]																																																																																																	
12F	13925020G	0	Plate Tappet Shim 2,10 [VAR]																																																																																																	
12G	13925021G	0 <td Plate Tappet Shim 2,15 [VAR]			12H	13925022G	0	Plate Tappet Shim 2,20 [VAR]			12I	13925023G	0	Plate Tappet Shim 2,25 [VAR]			12J	13925024G	0	Plate Tappet Shim 2,30 [VAR]			12K	13925025G	0	Plate Tappet Shim 2,35 [VAR]			12L	13925026G	0	Plate Tappet Shim 2,40 [VAR]			12M	13925027G	0	Plate Tappet Shim 2,45 [VAR]			12N	13925028G	0	Plate Tappet Shim 2,50 [VAR]			13	13825021	3	TAPPET Assy			14	13825026	1	Screw Air			15	13825025	1	Washer,DRAIN Screw			16	13825027	1	Screw HOLLOW			17	17325029.3	1	Nipple Swivel			18	13825061	2	Washer			19	13825030	3	Plate Set			20	13825028.1	3	Screw,W/Washer [NP]			21	17625006.4	1	RACK Assy Control		
12H	13925022G	0	Plate Tappet Shim 2,20 [VAR]																																																																																																	
12I	13925023G	0	Plate Tappet Shim 2,25 [VAR]																																																																																																	
12J	13925024G	0	Plate Tappet Shim 2,30 [VAR]																																																																																																	
12K	13925025G	0	Plate Tappet Shim 2,35 [VAR]																																																																																																	
12L	13925026G	0	Plate Tappet Shim 2,40 [VAR]																																																																																																	
12M	13925027G	0	Plate Tappet Shim 2,45 [VAR]																																																																																																	
12N	13925028G	0	Plate Tappet Shim 2,50 [VAR]																																																																																																	
13	13825021	3	TAPPET Assy																																																																																																	
14	13825026	1	Screw Air																																																																																																	
15	13825025	1	Washer,DRAIN Screw																																																																																																	
16	13825027	1	Screw HOLLOW																																																																																																	
17	17325029.3	1	Nipple Swivel																																																																																																	
18	13825061	2	Washer																																																																																																	
19	13825030	3	Plate Set																																																																																																	
20	13825028.1	3	Screw,W/Washer [NP]																																																																																																	
21	17625006.4	1	RACK Assy Control																																																																																																	



[NP] Not provided

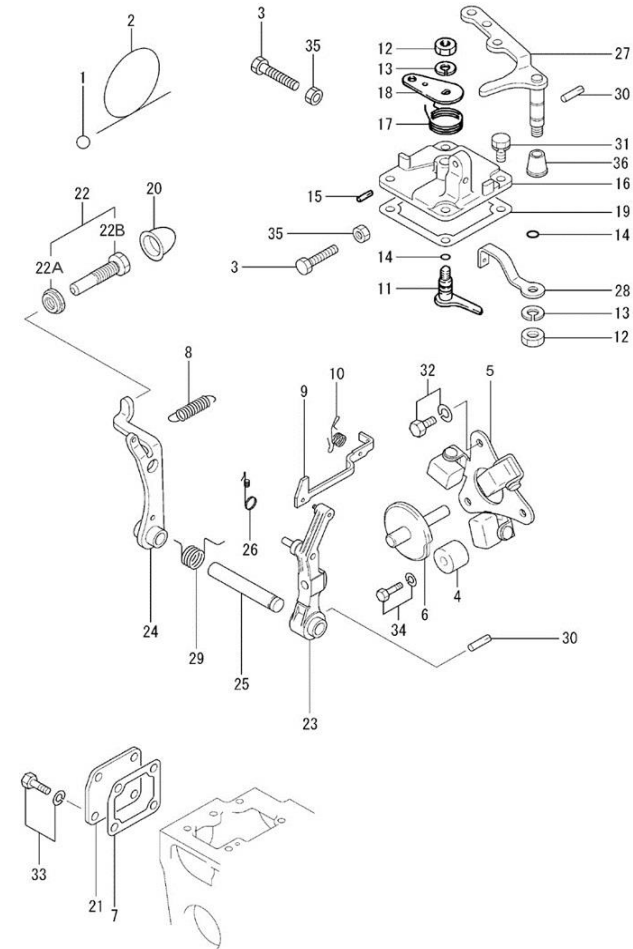
[VAR] Variable according to repair

D_GB01_4_3		Fuel Injection Pump			
FIG.	REF.	QTY	DESCR.	FROM	UPTO
22	13825062	2	Screw		
23	13925063	1	Bracket Stop Wire		
24	13925034G	3	Pin Tappet Guide		





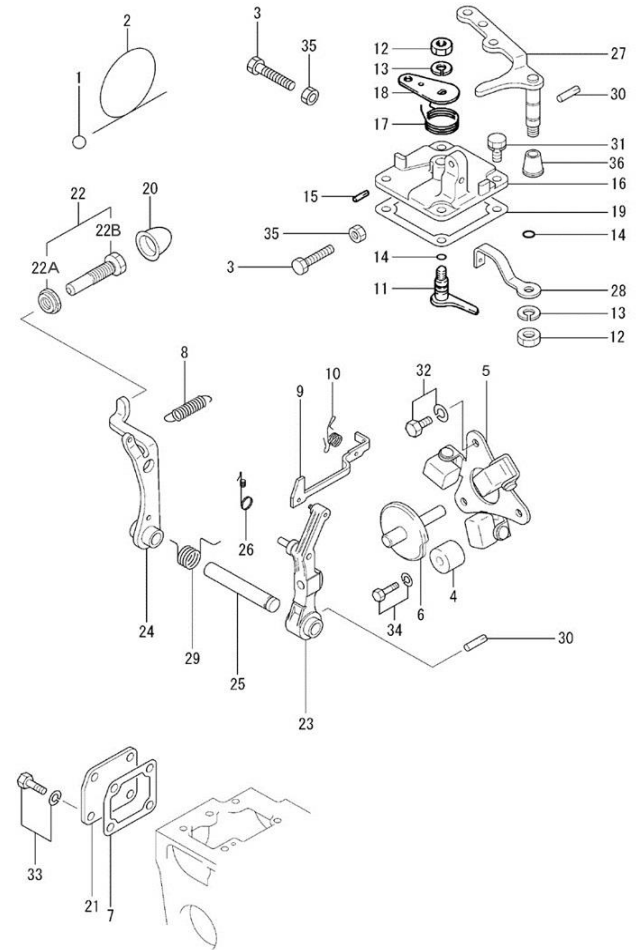
D_GB01_4_4		Governor Parts			
FIG.	REF.	QTY	DESCR.	FROM	UPTO
1	17623020.4	1	Metal,Fuel	02/08/2017	
2	13123019	1	Metal Sealing		
3	13123017	2	Bolt High Speed		
4	13723005	1	Stopper		
5	13823001G.1	1	WEIGHT Assy,GOverNOR (Generator)		
6	60530009	1	Shaft Assy,sliding		
7	13823014	1	Gasket Tie Rod CO		
8	60539015G	1	Spring,Governor (Generator)		
9	13923005	1	ROD TIE		
10	13823028	1	Spring, Tie Rod		
11	13823026	1	Lever Assy Stop		
12	17223030	1	Nut		
13	53033008	1	Washer GROWER DIN 127-8		
14	13123021	1	O-Ring D. 7X1.8		
15	13823031	1	Pin GROOVED (3X14		
16	13923032G	1	Cover,GOverNOR		
17	13823030	1	Spring Return		
18	13823029	1	Lever Stop		
19	13823033	1	Gasket Governor Cover		
20	13823042	1	Cap TORQUE Set SE		
21	13823043	1	Cover TIE ROD		
22	(*)	1	Not available [NP]		
22A	17223035	1	Nut		
22B	13823034	1	RACK Set Screw (new)		
23	13823003	1	Lever Assy Governor		
24	13823007	1	Lever Assy TENSIO		
25	13823006	1	Shaft Governor		
26	13823044	1	Spring TIE ROD		
27	13823008	1	Lever Assy SPEED		
28	13823027	1	Lever Governor SP		
29	13823036	1	Spring START		
30	13823009	2	Pin GROOVED		
31	52102155	4	Bolt DIN 933 M6-12 8.8		
32	13821033.1	2	Bolt,W/Washer		
33	17620054	4	Bolt		



[NP] Not provided

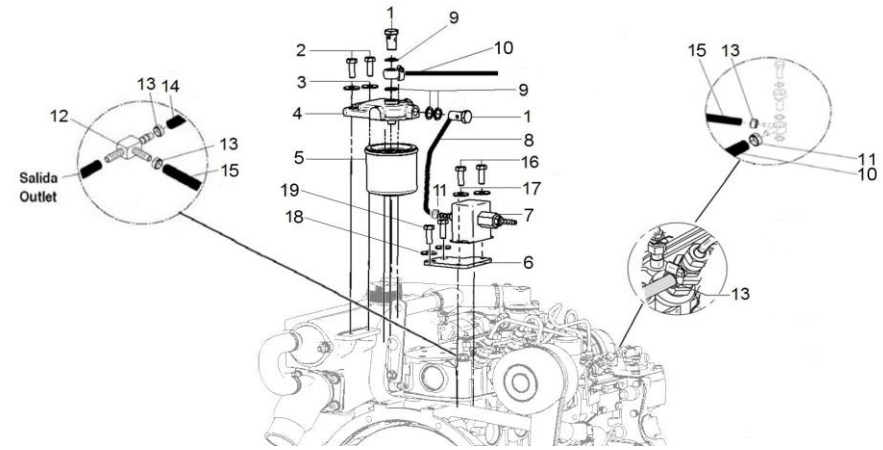


D_GB01_4_4		Governor Parts			
FIG.	REF.	QTY	DESCR.	FROM	UPTO
34	13923011G	1	Bolt,W/Washer		
35	17223032	2	Nut		
36	17623045	1	Cover,Governor Shaft		



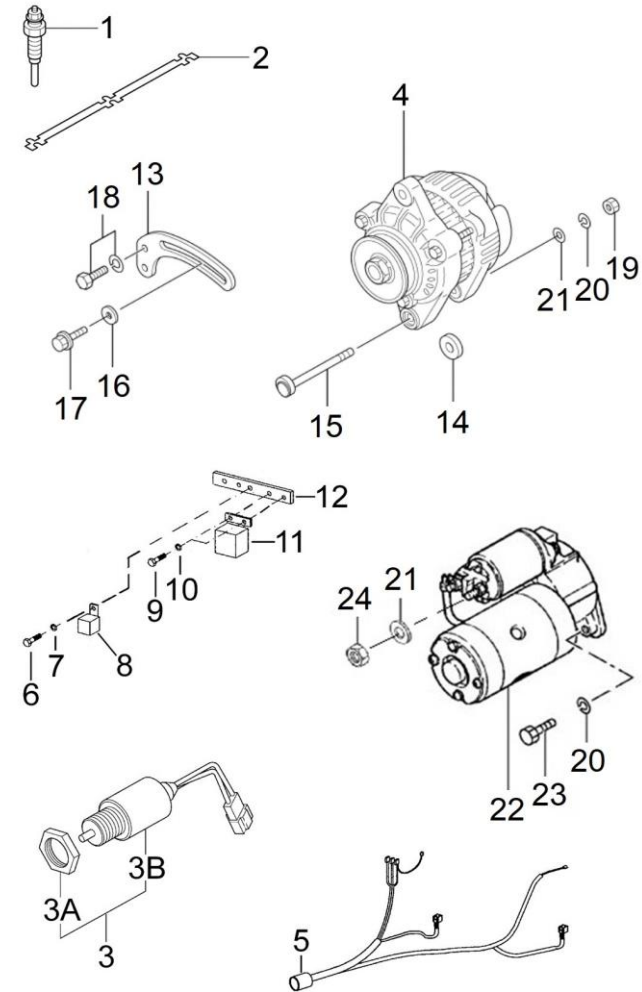


D_GB01_4_5		Fuel Supply Parts			
FIG.	REF.	QTY	DESCR.	FROM	UPTO
1	12814051	2	Screw,eye		
2	52102258	2	Bolt DIN 933 M8-25 8.8		
3	51031008	2	Washer DIN 9021 8		
4	13114120	1	Cover,filter f/.SMI		
5	13114022	1	Fuel Filter Element from MINI 10 to 55		
6	60539018	1	Bracket		
7	13814070	1	Electric Fuel Feed Pump 12V		
<i>Figure A for 12V System</i>					
7A	13814072	2	Straight Hose Connector 1/8" NPTF		
7B	57000361	2	Washer 10-14-1,5		
8	13914015	1	Pipe		
9	57000369	4	Washer 14,2-20-1,5		
10	17614027	1	Hose		
11	51086016	2	ONE EAR Clamp With INTERIOR Ring 14-16,3		
12	17614028	1	Bypass "T"		
13	51086010	4	One Ear Clamp With Interior Ring 10-11,5		
14	17614026	1	0,04 M. Hose		
15	17214025	1	0,31 M. Hose		
16	52102153	2	Bolt DIN 933 M6-8 8.8		
17	51030006	2	Washer DIN 125-6		
18	53033010	2	Washer GROWER DIN 127-10		
19	52202307	2	Bolt DIN 933 M10-1,25-20 8.8		
NS	60900126	1	TERMINAL [NS]		



[NS] Not shown

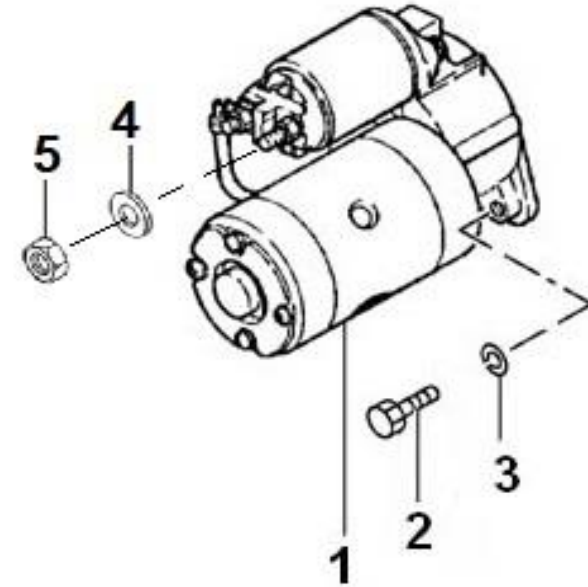
D_GB01_5_5		12V Electrical Wiring 12V			
FIG.	REF.	QTY	DESCR.	FROM	UPTO
1	13827017	3	Plug,Glow		
2	17627018.4	1	Plate Glow Plug		
3	17324026G	1	SOLENOID, Assy		
3A	13425029	1	Nut (old)		
3A	17224100R	1	Kit Injection Pipes 2nd Wall		
3B	13824021G	1	Reloy Stop		
4	13827210	1	Alternator 12V/40A		
5	60939501.1	1	MINI-26 ETR Electrical Wiring Genset		
6	52102153	1	Bolt DIN 933 M6-8 8.8		
7	51030006	1	Washer DIN 125-6		
8	18217005	1	Relay 12V 12-100		
9	52102104	2	Bolt DIN 933 M5-10 8.8		
10	51030005	2	Washer DIN 125-5		
11	13827005	1	Glow Relay		
12	13917001	1	Support,relay		
13	13827207	1	BRACE		
14	13827006	1	Spacer Generator		
15	13727008	1	Bolt ALT.		
16	51031008	1	Washer DIN 9021 8		
17	13827012	1	Bolt		
18	17620054	1	Bolt		
19	17427053G.1	1	Bolt Set (Generator)		
20	53033008	3	Washer GROWER DIN 127-8		
21	51030008	2	Washer DIN 125-8		
22	13827002.1	1	Starter Assy 12 V		
23	52102259	2	Bolt DIN 933 M8-30 8.8		
24	52120008	1	Nut DIN 934 M8 8.8		
NS	60900028	2	Diode 25A. DS-1712A [NS]		



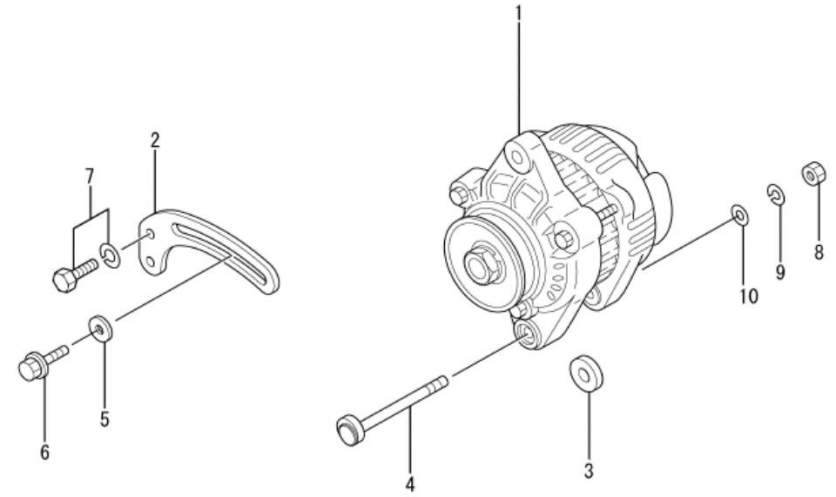
[NS] Not shown



D_MIB1_5_5		Starter Assy 12V				
FIG.	REF.	QTY	DESCR.	FROM	UPTO	
1	13827002	1	Starter Assy 12 V			
2	52102259	2	Bolt DIN 933 M8-30 8.8			
3	53033008	2	Washer GROWER DIN 127-8			
4	51030008	1	Washer DIN 125-8			
5	52120008	1	Nut DIN 934 M8 8.8			



D_GB01_5_1		Kit Alternator 12V/40A				
FIG.	REF.	QTY	DESCR.	FROM	UPTO	
1	13827210	1	Alternator 12V/40A			
2	13827207	1	BRACE			
3	13827006	1	Spacer Generator			
4	13727008	1	Bolt ALT.			
5	51031008	1	Washer DIN 9021 8			
6	13827012	1	Bolt			
7	17620054	1	Bolt			
8	17427053G.1	1	Bolt Set (Generator)			
9	53033008	1	Washer GROWER DIN 127-8			
10	51030008	1	Washer DIN 125-8			

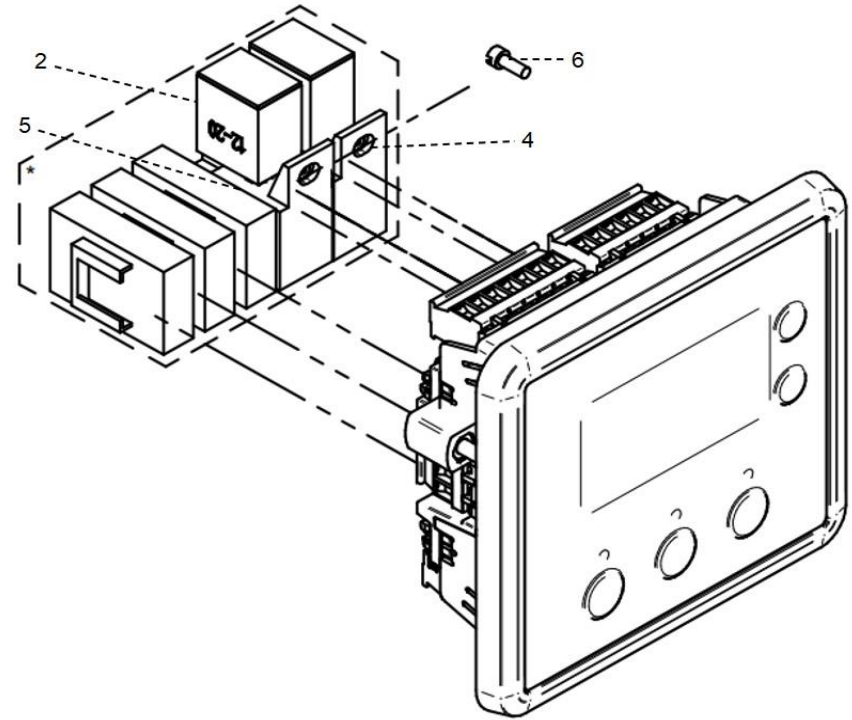




D_MI26GST3ST_05_5 Panels for Genset						
FIG.	REF.	QTY	DESCR.	FROM	UPTO	
1A	61939230.3S	1	Panel SCO 5 G-15M-3 12V 230V			
1B	61939400.3S	1	Panel SCO 5 G-15T-3 12V 400/230V			



D_PANELGRUP02_01 Panel Components for Genset						
FIG.	REF.	QTY	DESCR.	FROM	UPTO	
2A	60900091	4	MICRO Relay 12V 12-20			
<i>Figure A for 12V System</i>						
2B	60900092	4	MICRO Relay 24V 24-10			
<i>Figure b for 24V System</i>						
4	51030005	2	Washer DIN 125-5			
5	61900001	1	Rail Guide For Modular Micro Relay Holder - Fusible Holder		29/03/2023	
5	61900002	1	Rail Guide For Modular Micro Relay Holder - Fusible F		29/03/2023	
6	51918054	2	Bolt DIN 7981C 3,5-9,5			
NS	60972112	1	Wiring BRIDGE MONOF. Panel COMAP [NS]			
NS	60972123	1	Electrical System Back Panel SCO 5 [NS]			
NS	61972124	1	SCO 5 Panel Screw Bracket [NS]			



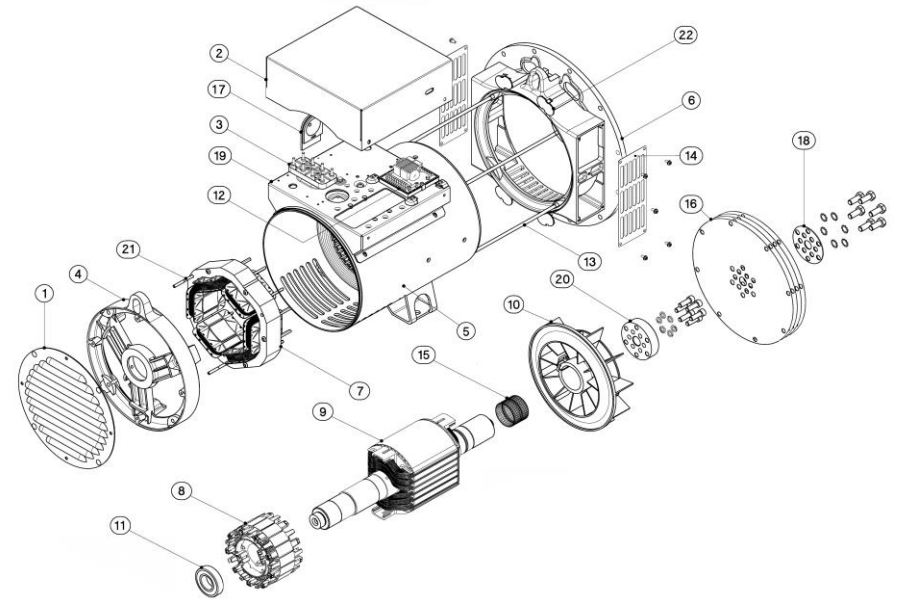
[NS] Not shown

D_W1C1_1_1		Genset Extension				
FIG.	REF.	QTY	DESCR.	FROM	UPTO	
1A	60938210I	1	Genset Wiring Ext. 3 M. CPC			
1B	60985210I	1	Genset Wiring Ext. 4 M. CPC			
1C	60938221	1	Genset Wiring Ext. 6 M. CPC			
1D	60938212	1	Genset Wiring Ext. 8 M. CPC			
1E	60985210.12I	1	Genset Wiring Ext. 12 M. CPC			
1F	60985210.18I	1	Genset Wiring Ext. 18 M. CPC			
1G	60985210.24I	1	Genset Wiring Ext. 24 M. CPC			
1H	60985210.30I	1	Genset Wiring Ext. 30 M. CPC			
1I	60974552	1	3-way Wiring Wxtension for Auxiliary Kits 4 m			
1J	60900165	1	3-way Wiring Extension for Auxiliary Kits 6 m			
1K	60900166	1	3-way Wiring Extension for Auxiliary Kits 12 m			
1L	60900167	1	3-way Wiring Extension for Auxiliary Kits 24 m			
1M	60972104	1	Double Panel SCO 12 M. Harness			
1N	60972105	1	Double Panel SCO 24 M. Harness			
1O	60972110	1	Double Panel SCO 36 M. Harness			
1P	60972145	1	Double Panel SCO 45 M. Harness			



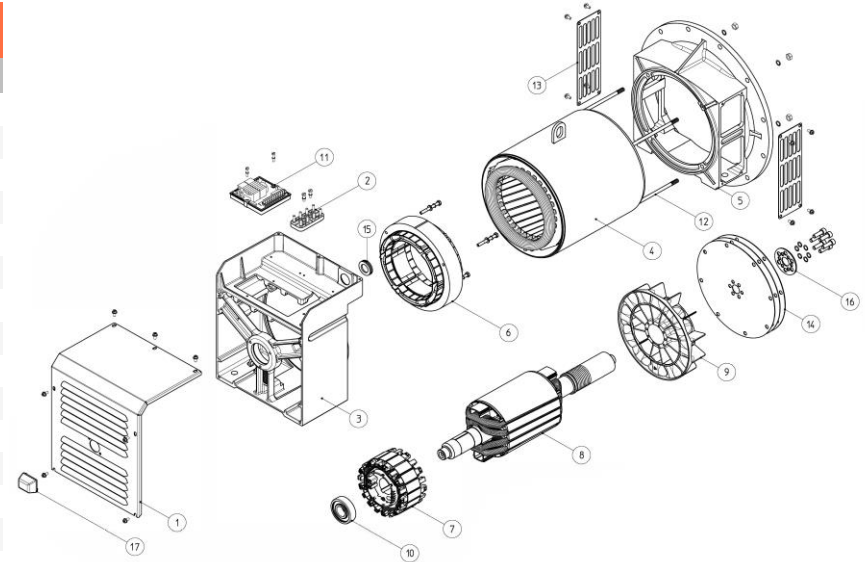


D_60513116 Alternator G-15M-3						
FIG.	REF.	QTY	DESCR.	FROM	UPTO	
1	60513329.1	1	Rear Seal [NP]			
2	60511320.1.2	1	Terminal Box LID			
3	60513329.3	1	Terminal Board 8 pin [NP]			
4	60511320.1.7	1	NON Drive END Bracket			
5	60513329.5	1	Frame and Stator 2L [NP]			
6	60511320.1.9	1	Drive END Bracket MD35 SAE5 [NP]			
7	60513329.7	1	Exciter Stator H-45 6P [NP]			
8	60513329.8	1	Exciter Armature H-45 6P [NP]			
9	60513329.9	1	Rotor Assy 2L MD35 [NP]			
10	60513329.10	1	Fan [NP]			
11	60513329.11	1	Rear Bearing 6207-2RS C3 [NP]			
12	60500023.1	1	Electronic Regulator DSR			
13	60513329.13	1	Cover Stay Bolt "L" [NP]			
14	60513329.14	2	Protection Screen SAE [NP]			
15	60513329.15	1	Fixing Ring SV 60-522 [NP]			
16	60513329.16	1	Fixing Ring SV 60-522 [NP]			
17	60513329.17	1	Cable Grommet [NP]			
18	60513316.16	1	Disc Locking Ring-Spacer [NP]			
19	60513329.19	1	Component-Carrying Panel [NP]			
20	60513329.20	1	Ring Spacer Vol. 8 - 10 [NP]			
21	60513329.21	1	Exciter Stay Bolt [NP]			
22	60513329.22	1	Cap for MD35/3 D.E. Bracket [NP]			
NS	60511320.1.11	1	Diode [NS]			
NS	60513329.24	1	DI1 for DSR/DER1 + Cable DI1/Reg. [NS] [NP]			
NS	60513329.25	1	Front Bearing 6309-2RS C3 [NS] [NP]			



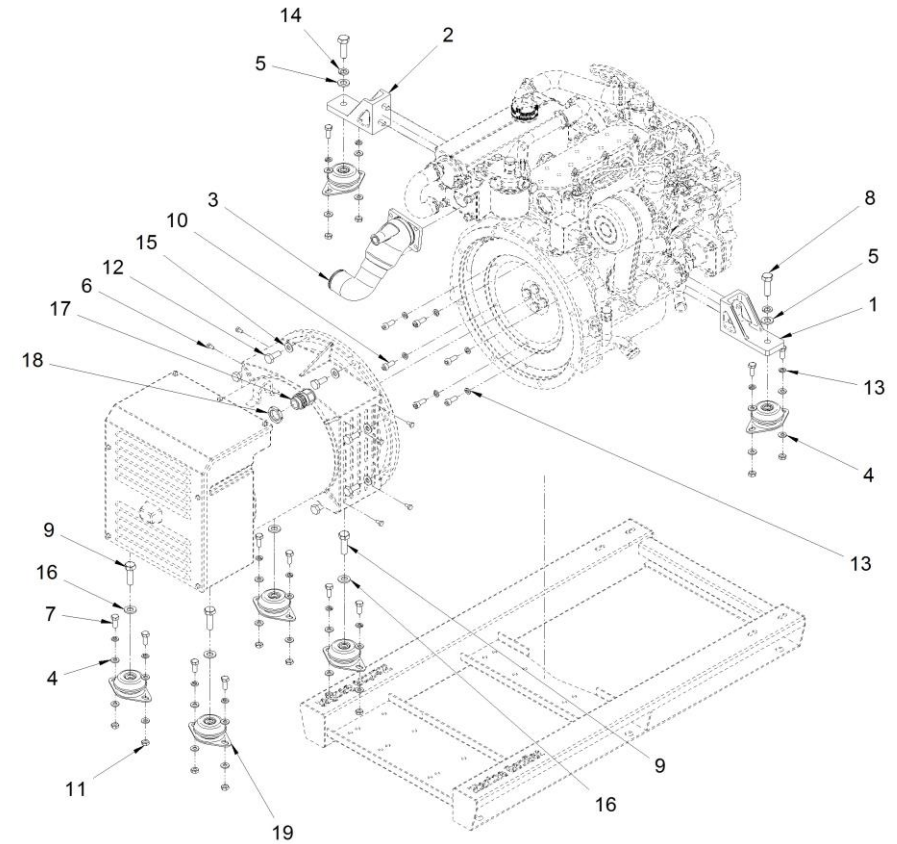
[NP] Not provided  
 [NS] Not shown

D_60513316		Alternator G-15T-3				
FIG.	REF.	QTY	DESCR.	FROM	UPTO	
0	60513316R	1	Alt.MECC.ALTE III 16KVA 3000 400/230 (R) [NP]			
1	60513316.1	1	Terminal Box Lid [NP]			
2	60513316.2	1	Terminal Board 76x36 M5 [NP]			
3	60513316.3	1	Non Drive End Bracket [NP]			
4	60513316.4	1	Frame and Stator 1L/2 [NP]			
5	60513316.5	1	Drive End Bracket MD35/5 [NP]			
6	60511310.1.10	1	EXCITER STATOR			
7	60513316.7	1	Exciter Armature H-40 6P + Diodes [NP]			
8	60513316.8	1	Rotor Assy 1L/2 MD35 [NP]			
9	60513316.9	1	Fan MD35 - D. 50 [NP]			
10	60513316.10	1	Rear Bearing 6305-2RS C3 [NP]			
11	60500023.1	1	Electronic Regulator DSR			
12	60513316.12	1	Cover Stay Bolt ECP 3-L [NP]			
13	60513316.13	2	Kit Protection Screen B14 B9 MD35 [NP]			
14	60513316.14	1	Kit Coupling Disc Plates SAE 6,5 [NP]			
15	60513316.15	1	Cable Gland [NP]			
16	60513316.16	1	Disc Locking Ring-Spacer [NP]			
17	60513316.17	1	Nut-Cover Rubber Cap for Lid [NP]			
NS	60513316.18	1	Diode for Exciter Armature [NS] [NP]			
NS	60513316.19	1	Ring Spacer Vol. 8 - 10 [NS] [NP]			
NS	60513316.20	1	Kit USB2DxR [NS] [NP]			



[NP] Not provided  
 [NS] Not shown

60539112		Kit Genset MINI-26 for ECP3-1L/2			
FIG.	REF.	QTY	DESCR.	FROM	UPTO
1	13810003.1	1	Bracket, Engine [NP]		
1	13810038.1	1	Engine Genset Left Support [NP]		
2	13810004.1	1	Bracket, Engine [NP]		
2	13810039.1	1	Genset Engine Right Support [NP]		
3	17613015G.1	1	Wet Exhaust Elbow Genset Alt. MECCALTE		
4	51030008	24	Washer DIN 125-8		
5	51030012	2	Washer DIN 125-12		
6	52102104	8	Bolt DIN 933 M5-10 8.8		
7	52102257	12	Bolt DIN 933 M8-20 8.8		
8	52102359	2	Bolt DIN 933 M12-30 8.8		
9	52102360	4	Bolt DIN 933 M12-35 8.8		
10	52103257	6	Bolt DIN 912 M8-20 8.8		
11	52120008	12	Nut DIN 934 M8 8.8		
12	52202308	8	Screw DIN 961 8.8 M-10/1,25X25		
13	53033008	18	Washer GROWER DIN 127-8		
14	53033012	2	Washer Grower DIN 127-12		
15	53038010	8	Washer DIN 6798-A 10		
16	53038012	4	Washer DIN 6798-A 12		
17	60900306	1	Connector Press CAPTOR-2000 M25 RAL7001		
18	60900309	1	Screw Connector Press Captor-2000 M25		
19	61638001	6	Engine Mount Type F 50 SHA M12 H 34		
NS	60530033	1	Spring,governor [NS]		
NS	60900158	1	Terminal Tubular Sleeve (1.5) [NS]		
NS	TR.1.5.5	4	Ring Terminal 1.5 Sec. [NS]		

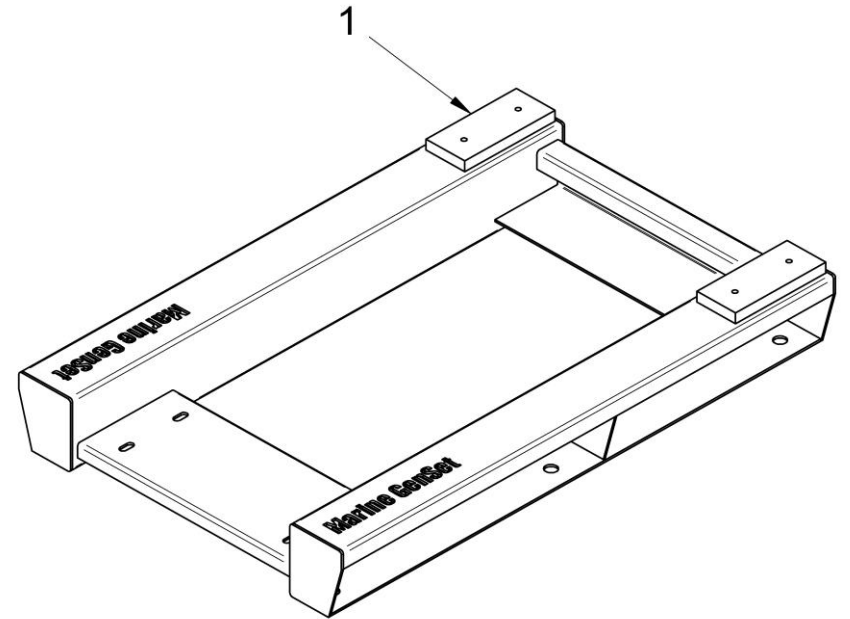


[NP] Not provided  
 [NS] Not shown



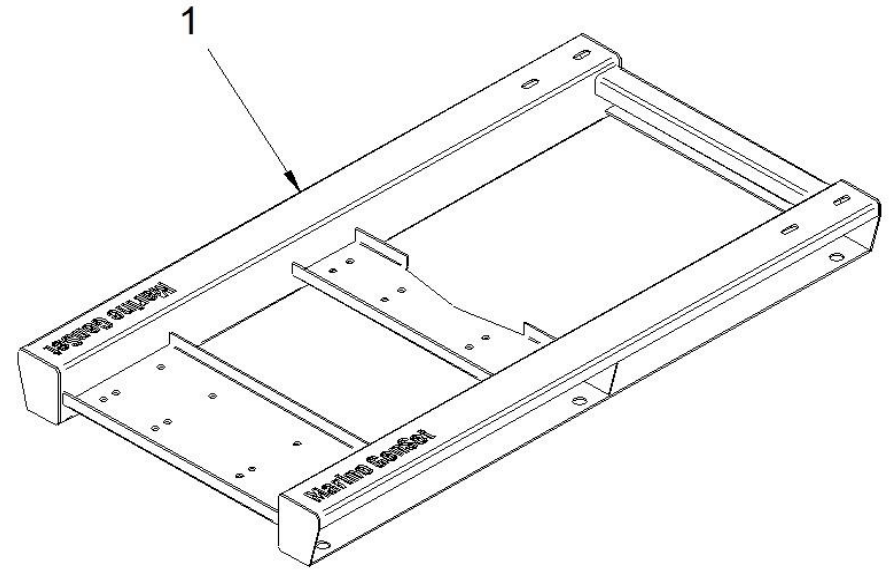


D_60539021		Chassis					
FIG.	REF.	QTY	DESCR.	FROM	UPTO		
1	60539021	1	CHASSIS,Assy				

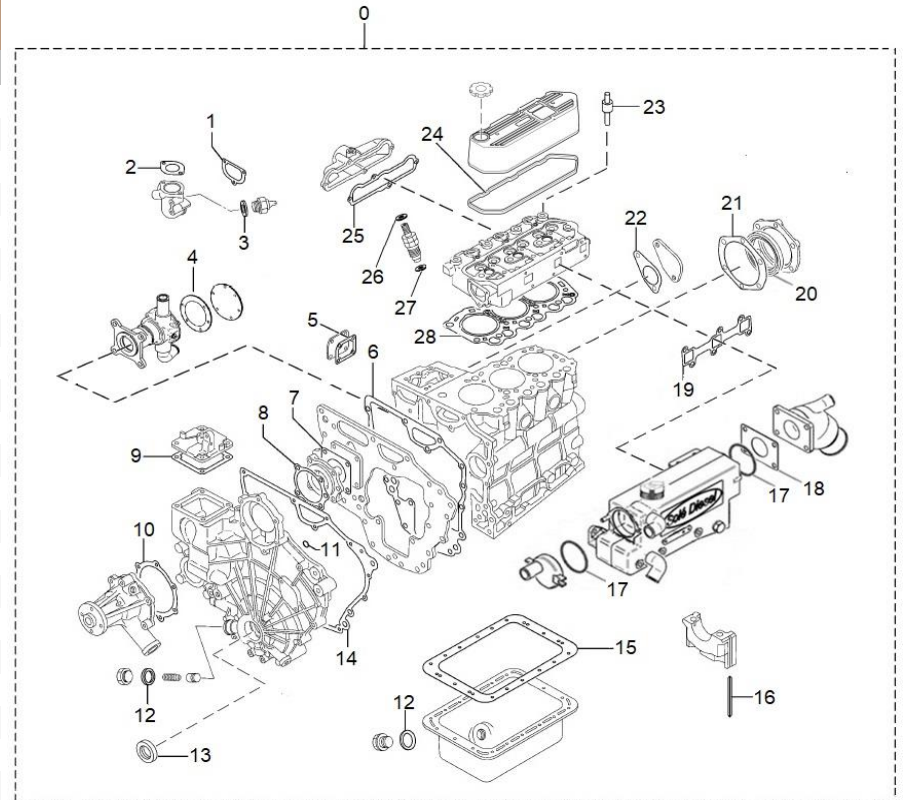




D_60539016		M26 G6M15-G6T15-G15T15 Chassis				
FIG.	REF.	QTY	DESCR.	FROM	UPTO	
1	60539016	1	M26 G6M15-G6T15-G15T15 CHASSIS			



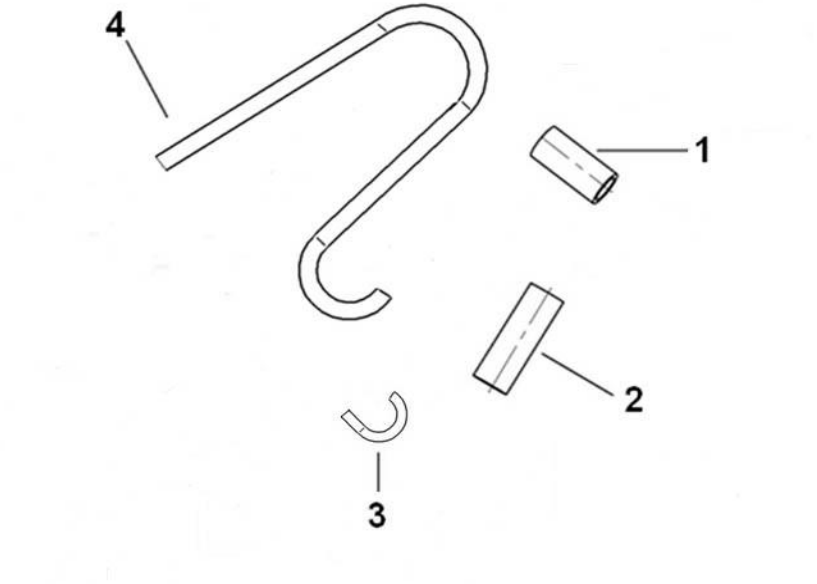
D_13920101 Gasket Kit						
FIG.	REF.	QTY	DESCR.	FROM	UPTO	
0	13920101	1	Kit Gasket			
1	17621033.4	1	Gasket Thermostat		25/03/2020	
3	MH594601601	1	Washer [NP]			
4	31211003	1	Gasket Cover			
5	13823014	1	Gasket Tie Rod CO			
6	13820018	1	Gasket Front Plate			
7	13120047	1	Gasket Water Pump			
8	13820038	1	Gasket Housing			
9	13823033	1	Gasket Governor Cover			
10	13821022	1	Gasket Water Pump			
11	13820044	2	O-Ring D. 11X2,5			
12	56000077	2	Washer 18-23-1,5			
13	13820039	1	Oil Seal			
14	13820040	1	Gasket Gear Case			
16	13820002	4	Seal Side			
17	13811007	2	O-Ring D. 57X2,5			
18	17613014	1	Gasket			
19	17621043	1	Gasket			
20	13820008	1	Seal Oil			
21	13820016	1	Gasket Oil Seal C			
22	17620012.4	1	Gasket Cover			
23	13222054	6	Seal Valve Stem			
24	13921010	1	Gasket Rocker Cover			
25	17621032	1	Gasket Intake COV			
26	17424025G.1	3	Gasket Fuel Return (Genset)			
27	13824013	3	Injector Washer			
28	17621004	1	Gasket,Cylinder Head			
NS	12111006	1	O-Ring [NS]			
NS	13114002	1	Gasket [NS]			



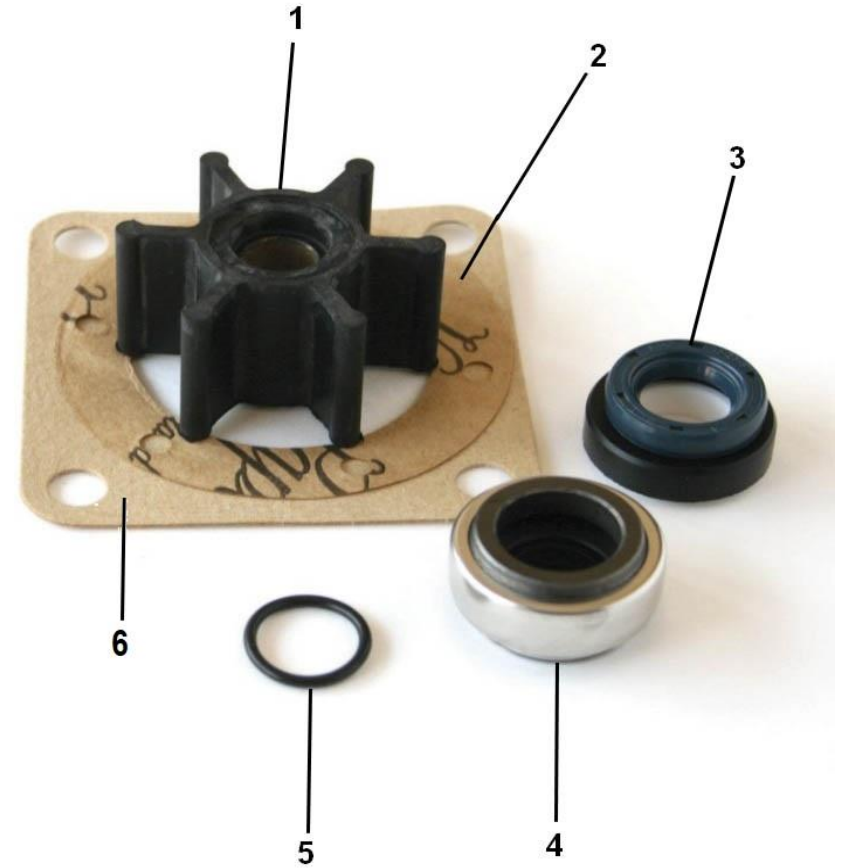
[NP] Not provided  
 [NS] Not shown



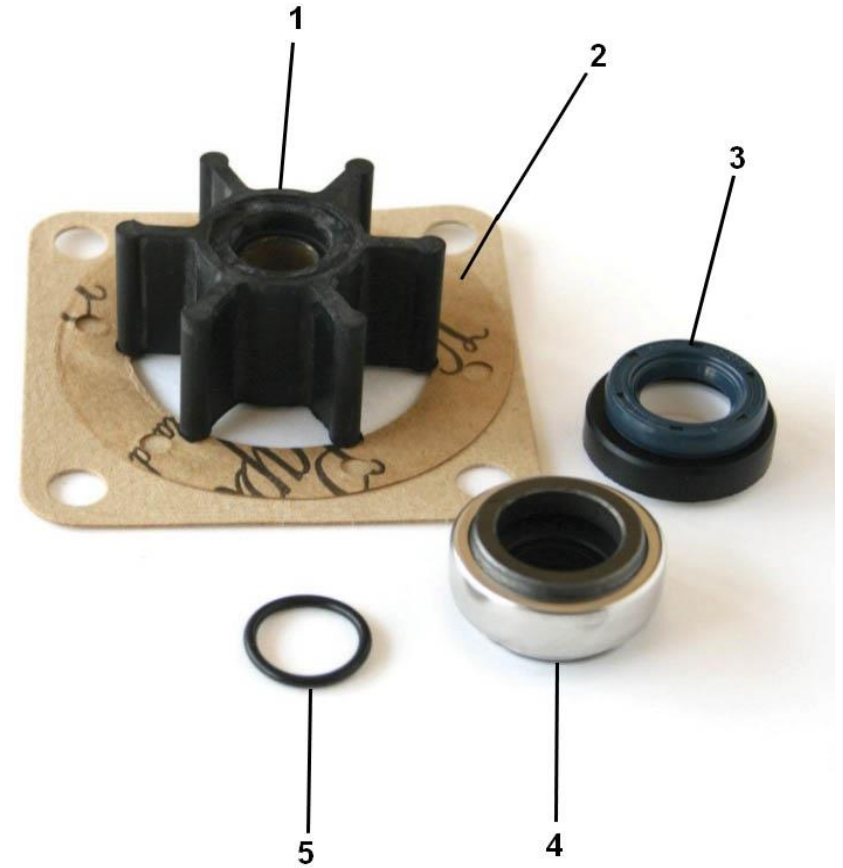
17611100.4		Pipe Rubber Set,Water Line 4 V.MINI-29				
FIG.	REF.	QTY	DESCR.	FROM	UPTO	
1	13811017	2	Pipe 28-38-80			
2	17611002	1	Pipe 28-38-110			
3	17611034	1	Hose			
4	M87501927	0,75	Water Intake Hose (HQ) D. 19-27			



37011200K		Repair Kit Water Pump 1/2"				
FIG.	REF.	QTY	DESCR.	FROM	UPTO	
1	31211008	1	1/2" Impeller			
2	31211003	1	Gasket Cover			
3	33411020	1	Seal			
4	33411019	1	Seal			
5	33311013	1	O-Ring D. 15X2			
6	13120047	1	Gasket Water Pump			



33811000K		Repair Kit Water Pump 1/2"				
FIG.	REF.	QTY	DESCR.	FROM	UPTO	
1	31211008	1	1/2" Impeller			
2	31211003	1	Gasket Cover			
3	33411020	1	Seal			
4	33411019	1	Seal			
5	33311013	1	O-Ring D. 15X2			
NS	17011007	1	O-Ring D. 57X3 [NS]			



[NS] Not shown



D_UTILFA0968_1		Special Tools				
FIG.	REF.	QTY	DESCR.	FROM	UPTO	
1	U30L9110010	1	Piston Pin Setting Tool			
2	13811063	1	Refrigerator Mounting Key			
3	UMM74007	1	Piston Ring Pliers			
4	UST332270	1	Compression Gauge Adapter			

