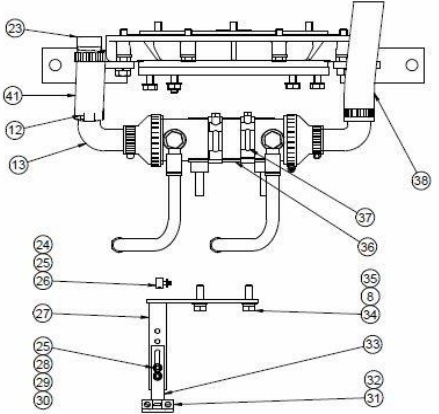
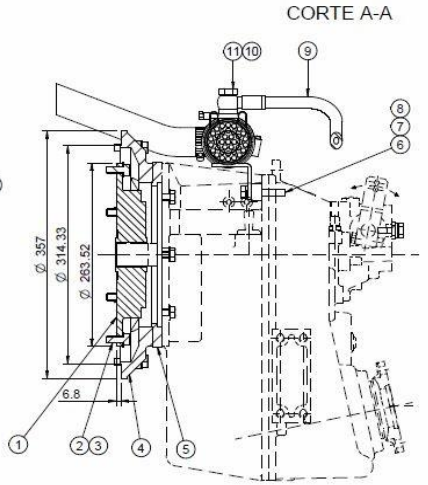
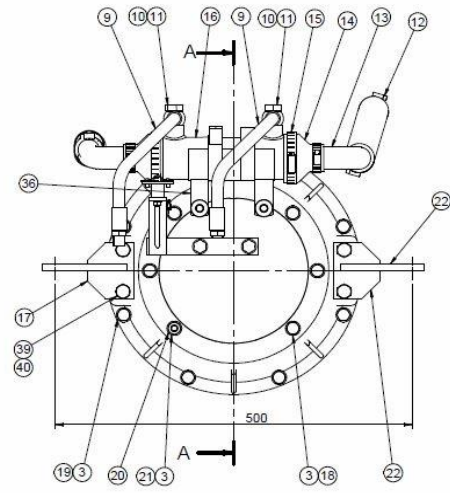


**1A010255 Kit GearBox ZF 68 IV**

FIG.	REF.	QTY	DESCR.	FROM	UPTO
1	18310171	1	Flexible Coupling Type B SAE 8" BW		
2	52102308	6	Bolt DIN 933 M10-25 8.8		
3	53038010	20	Washer DIN 6798-A 10		
4	17010018.1	1	Adaptor SAE 7 RD		
5	18210024	1	Adaptor Flange		
6	52101314	2	Bolt DIN 931 M10-55 8.8		
7	19117011	2	Spacer 10,5X19X15		
8	53033010	4	Washer GROWER DIN 127-10		
9	18512024	2	Pipe		
10	59031017	4	Washer		
11	14712015	2	Bolt,Coupling pipe oil		
12	54082025	6	Clamp DIN 3017 25-40/12 W4		
13	17111010	2	Elbow		
14	15312007	2	Water Cooler Cover		
15	54082050	2	Clamp DIN 3017 50-70/12 W4		
16	1A012051	1	Cooler,oil		
17	17110009	1	Right Rear Bracket		
18	52102310	5	Bolt DIN 933 M10-35 8.8		
19	52101311	8	Bolt DIN 931 M10-40 8.8		
20	52120010	1	Nut DIN 934 M10 8.8		
21	15211002	1	Stud		
22	17110008	1	Left Rear Bracket		
23	60180007	2	Outlet Coupling		
24	51051107	1	Pin DIN-94 1,6-16		
25	51030006	5	Washer DIN 125-6		
26	14719115	1	Coupling,cable		
27	16519020	1	Bracket, Gear box control		
28	52102157	2	Bolt DIN 933 M6-20 8.8		
29	53033006	2	Washer GROWER DIN 127-6		
30	52120006	2	Nut DIN 934 M6 8.8		
31	14719013	1	Clamp,cable		
32	55307104	2	Bolt DIN 86 W3/16-10		
33	12119021	1	SUPORT Clamp		
34	52302258	2	Bolt DIN 933 W3/8-25 8.8		
35	51030010	2	Washer DIN 125-10		



1A010255 Kit GearBox ZF 68 IV						
FIG.	REF.	QTY	DESCR.	FROM	UPTO	
36	16512010	1	Bracket,oil cooler			
37	51083060	2	GP Clamp 59-63 W2			
38	M87503242	0,5	Water Intake Hose (HQ) D. 32-42			
39	52102359	4	Bolt DIN 933 M12-30 8.8			
40	53033012	4	Washer Grower DIN 127-12			
41	13211036	1	Pipe 30-40-100			

