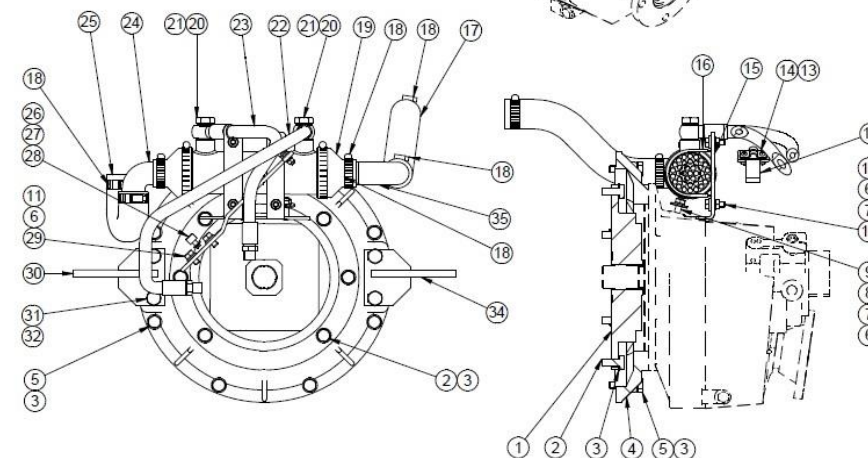
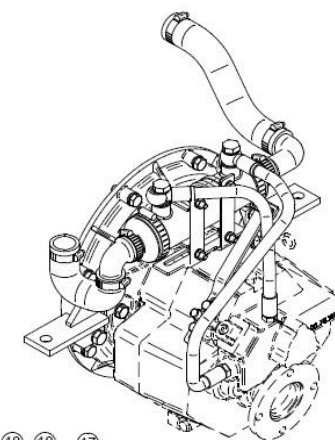


1A010210 Kit GearBox TM-345/A

FIG.	REF.	QTY	DESCR.	FROM	UPTO
1	18310171	1	Flexible Coupling Type B SAE 8" BW		
2	52102308	11	Bolt DIN 933 M10-25 8.8		
3	53038010	20	Washer DIN 6798-A 10		
4	17010018.1	1	Adaptor SAE 7 RD		
5	52101311	8	Bolt DIN 931 M10-40 8.8		
6	53033008	8	Washer GROWER DIN 127-8		
7	52120008	6	Nut DIN 934 M8 8.8		
8	51031008	2	Washer DIN 9021 8		
9	12120018	2	Stud		
10	52102257	4	Bolt DIN 933 M8-20 8.8		
11	51030008	6	Washer DIN 125-8		
12	18619020	1	Bracket,Gear box control		
13	51030005	2	Washer DIN 125-5		
14	24810913	1	Clamp,CABLE		
15	18012041	1	Bracket, TM93/170 oil cooler		
16	59072604	2	Clamp		
17	M87503242	0,3	Water Intake Hose (HQ) D. 32-42		
18	54082025	6	Clamp DIN 3017 25-40/12 W4		
19	14712151	1	Oil Cooler Assy, D.30		
20	14712015	2	Bolt,Coupling pipe oil		
21	59031017	4	Washer		
22	17512017	1	Pipe, rev.oil Cooler		
23	18512024	1	Pipe		
24	15212022	1	Elbow		
25	18211034	1	Pipe,Rubber		
26	51051107	1	Pin DIN-94 1,6-16		
27	51030006	4	Washer DIN 125-6		
28	14719115	1	Coupling,cable		
29	52102256	2	Bolt DIN 933 M8-16 8.8		
30	17110009	1	Right Rear Bracket		
31	52102359	4	Bolt DIN 933 M12-30 8.8		
32	53033012	4	Washer Grower DIN 127-12		
34	17110008	1	Left Rear Bracket		
35	17111010	1	Elbow		
NS	60180007	1	Outlet Coupling [NS]		



[NS] Not shown