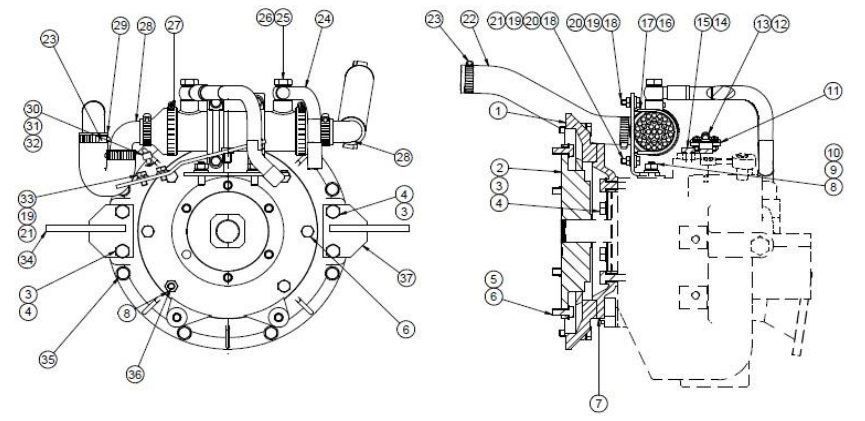
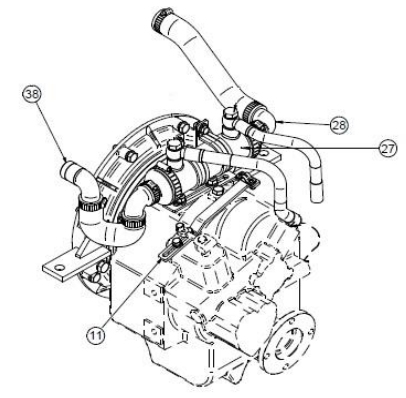


1A010200 Kit GearBox TM-93/A

FIG.	REF.	QTY	DESCR.	FROM	UPTO
1	17010018.1	1	Adaptor SAE 7 RD		
2	18310171	1	Flexible Coupling Type B SAE 8" BW		
3	53033012	11	Washer Grower DIN 127-12		
4	52102359	11	Bolt DIN 933 M12-30 8.8		
5	53038010	14	Washer DIN 6798-A 10		
6	52102308	11	Bolt DIN 933 M10-25 8.8		
7	24810022	1	BW housing TM-93/A/170/880A (H=30 mm)		
8	52120010	3	Nut DIN 934 M10 8.8		
9	53033010	8	Washer GROWER DIN 127-10		
10	51030010	2	Washer DIN 125-10		
11	18619020	1	Bracket,Gear box control		
12	51030005	2	Washer DIN 125-5		
13	24810913	1	Clamp,CABLE		
14	56000061	1	Washer 10-16-1,5		
15	52102306	1	Bolt DIN 933 M10-15 8.8		
16	18012041	1	Bracket,TM93/170 oil cooler		
17	59072604	2	Clamp		
18	52102257	4	Bolt DIN 933 M8-20 8.8		
19	53033008	6	Washer GROWER DIN 127-8		
20	52120008	4	Nut DIN 934 M8 8.8		
21	51030008	6	Washer DIN 125-8		
22	M87503242	0,5	Water Intake Hose (HQ) D. 32-42		
23	54082025	6	Clamp DIN 3017 25-40/12 W4		
24	17112024	2	Pipe, rev.oil Cooler		
25	14712015	2	Bolt,Coupling pipe oil		
26	59031017	4	Washer		
27	14712151	1	Oil Cooler Assy, D.30		
28	15212022	2	Elbow		
29	18211034	1	Pipe,Rubber		
30	14719115	1	Coupling,cable		
31	51030006	1	Washer DIN 125-6		
32	51051107	1	Pin DIN-94 1,6-16		
33	52102256	2	Bolt DIN 933 M8-16 8.8		
34	17110009	1	Right Rear Bracket		
35	52101311	8	Bolt DIN 931 M10-40 8.8		



[NS] Not shown

1A010200 Kit GearBox TM-93/A						
FIG.	REF.	QTY	DESCR.	FROM	UPTO	
36	16511007	1	Stud			
37	17110008	1	Left Rear Bracket			
38	14711022	1	Elbow N°2			
NS	60180007	1	Outlet Coupling [NS]			

