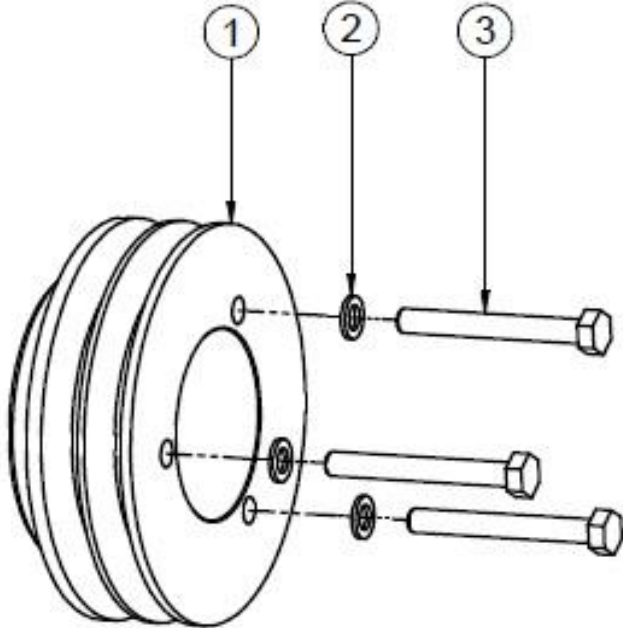


1A010102		Pulley 2A				
FIG.	REF.	QTY	DESCR.	FROM	UPTO	
1	1A010102.1	1	Pulley 2A [NP]			
2	53038008	3	Washer DIN 6798-A 8			
3	52101266	3	Bolt DIN 931 M8-65 8.8			



[NP] Not provided