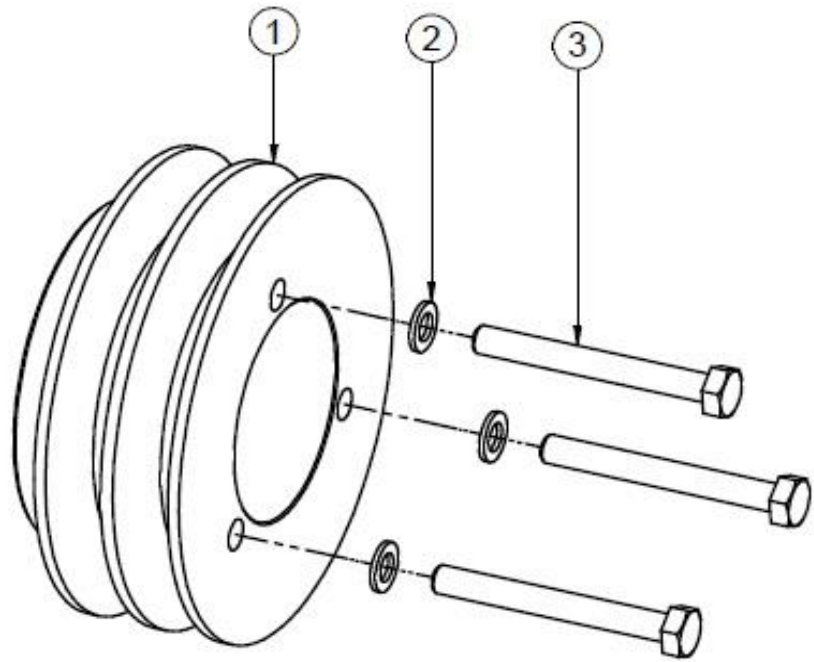


| 1A010101 | | Pulley 2B | | | | |
|----------|------------|-----------|------------------------|------|------|--|
| FIG. | REF. | QTY | DESCR. | FROM | UPTO | |
| 1 | 1A010101.1 | 1 | Pulley 2B [NP] | | | |
| 2 | 53038008 | 3 | Washer DIN 6798-A 8 | | | |
| 3 | 52101267 | 3 | Bolt DIN 931 M8-70 8.8 | | | |



[NP] Not provided