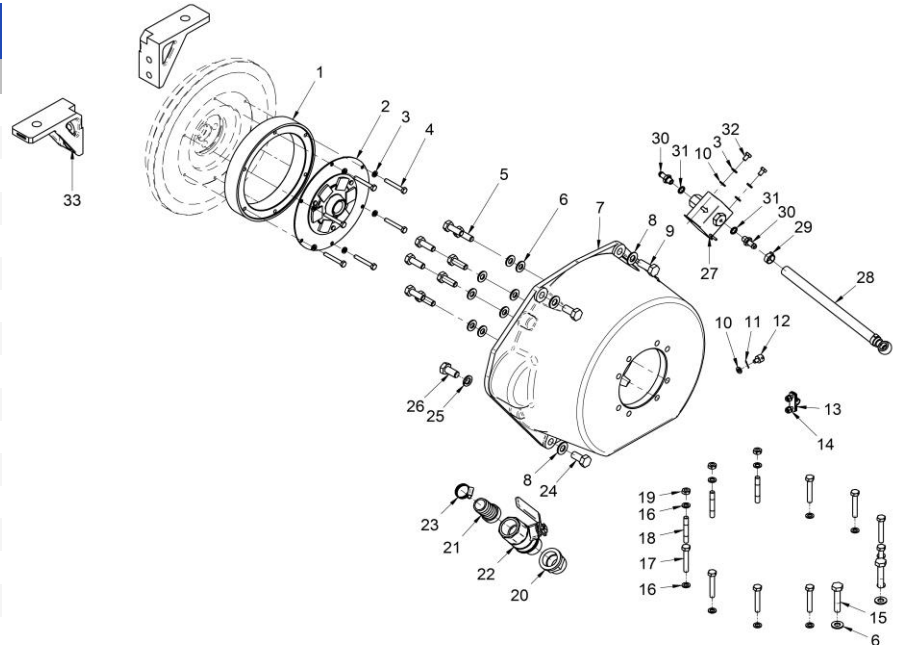


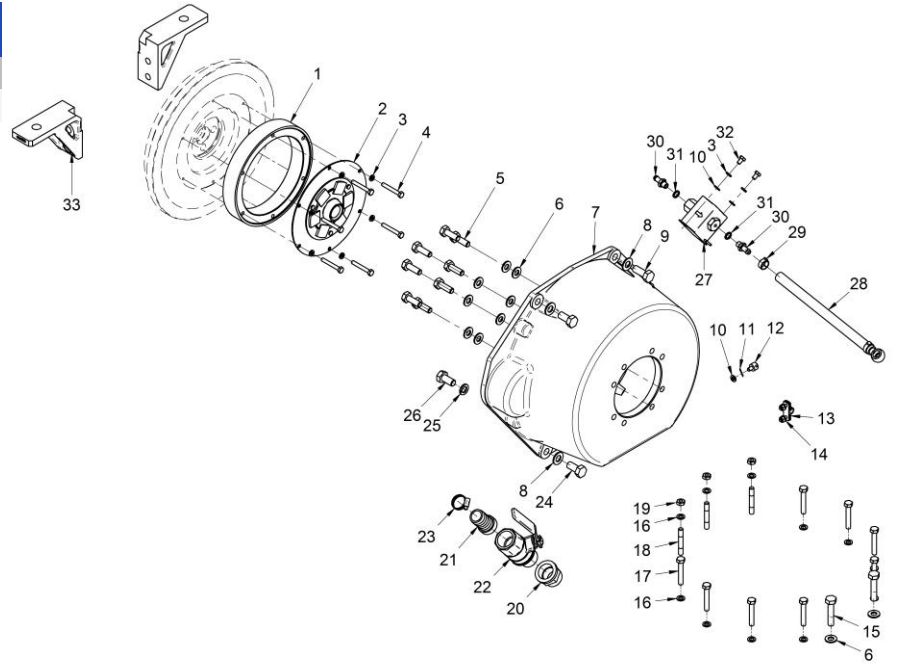
17732100T		Kit S-Drive TECHNO.SP60			
FIG.	REF.	QTY	DESCR.	FROM	UPTO
1	17210044	1	Suplement,Flywheel		
2	14710070	1	Flexible coupling type A D. 185		
3	53033006	8	Washer GROWER DIN 127-6		
4	52101162	6	Bolt DIN 931 M6-45 8.8		
5	52102309	8	Bolt DIN 933 M10-30 8.8		
6	53038010	10	Washer DIN 6798-A 10		
7	17210013	1	Bell Housing		
8	53038012	4	Washer DIN 6798-A 12		
9	52202359	1	Bolt DIN 933 M12-1,25-30 8.8		
10	51030006	3	Washer DIN 125-6		
11	51051107	1	Pin DIN-94 1,6-16		
12	14719115	1	Coupling,cable		
13	24810913	1	Clamp,CABLE		
14	51030005	2	Washer DIN 125-5		
15	52101313	2	Bolt DIN 931 M10-50 8.8		
16	53038008	11	Washer DIN 6798-A 8		
17	52101263	8	Bolt DIN 931 M8-50 8.8		
18	40019030	3	Stud		
19	52120008	3	Nut DIN 934 M8 8.8		
20	17111006	1	Racord 1" M-H		
21	60371058	1	Hose Connection 1" x 27		
22	17111005	1	Water Trainer 1" M-H		
23	54082025	2	Clamp DIN 3017 25-40/12 W4		
24	52202358	2	Bolt DIN 933 M12-1,25-25 8.8		
25	53033012	3	Washer Grower DIN 127-12		
26	52102358	2	Bolt DIN 933 M12-25 8.8		
27	13814070	1	Electric Fuel Feed Pump 12V		
28	13814012	1	Pipe		
29	51086015	1	One Ear Clamp With Interior Ring 13-15,3		
30	13814072	2	Straight Hose Connector 1/8" NPTF		
31	57000361	2	Washer 10-14-1,5		
32	52102154	2	Bolt DIN 933 M6-10 8.8		
33	17210005.1	2	Front Bracket		
NS	58088282	2	Pastic Cable Zip Tie [NS]		
NS	M87502535	1,6	Water Intake Hose (HQ) D. 25-33 [NS]		



[NS] Not shown



17732100T Kit S-Drive TECHNO.SP60					
FIG.	REF.	QTY	DESCR.	FROM	UPTO
NS	60900126	1	TERMINAL [NS]		



[NS] Not shown

