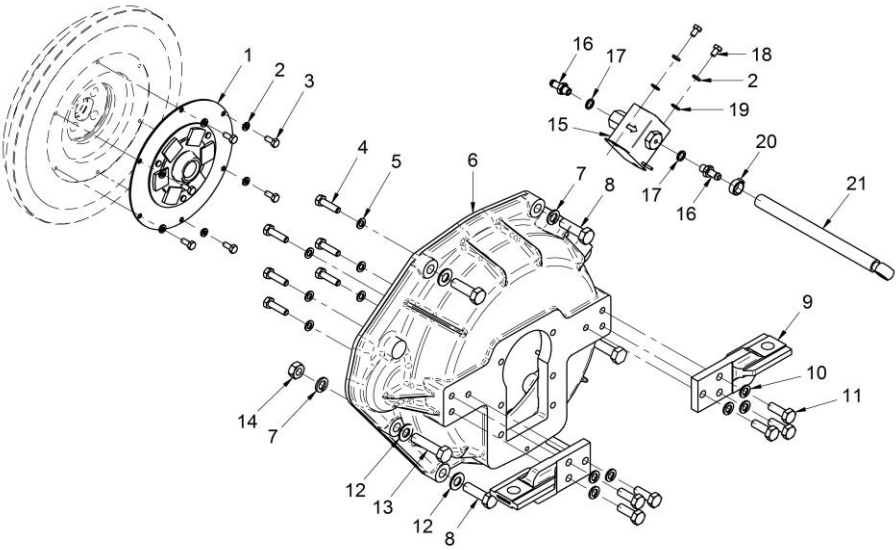


**17710243 Kit GearBox TTMC35A2**

FIG.	REF.	QTY	DESCR.	FROM	UPTO
1	14710070	1	Flexible coupling type A D. 185		
2	53033006	6	Washer GROWER DIN 127-6		
3	52102156	6	Bolt DIN 933 M6-16 8.8		
4	52101260	6	Bolt DIN 931 M8-35 8.8		
5	53038008	6	Washer DIN 6798-A 8		
6	17210009	1	Bell Housing,GearBox		
7	53033012	3	Washer Grower DIN 127-12		
8	52202361	4	Bolt DIN 933 M12-1,25-40 8.8		
9	17210026	2	Rear Bracket		
10	53033010	6	Washer GROWER DIN 127-10		
11	52102309	6	Bolt DIN 933 M10-30 8.8		
12	53038012	6	Washer DIN 6798-A 12		
13	52101363	2	Bolt DIN 931 M12-50 8.8		
14	52120012	2	Nut DIN 934 M12 8.8		
15	13814070	1	Electric Fuel Feed Pump 12V		
16	13814072	2	Straight Hose Connector 1/8" NPTF		
17	57000361	2	Washer 10-14-1,5		
18	52102154	2	Bolt DIN 933 M6-10 8.8		
19	51030006	2	Washer DIN 125-6		
20	51086015	1	One Ear Clamp With Interior Ring 13-15,3		
21	17714002	1	Pipe, Pump TO Filter		
NS	58088284	1	Pastic Cable Zip Tie [NS]		
NS	58088283	2	Pastic Cable Zip Tie [NS]		
NS	58088282	2	Pastic Cable Zip Tie [NS]		
NS	60900126	1	TERMINAL [NS]		



[NS] Not shown