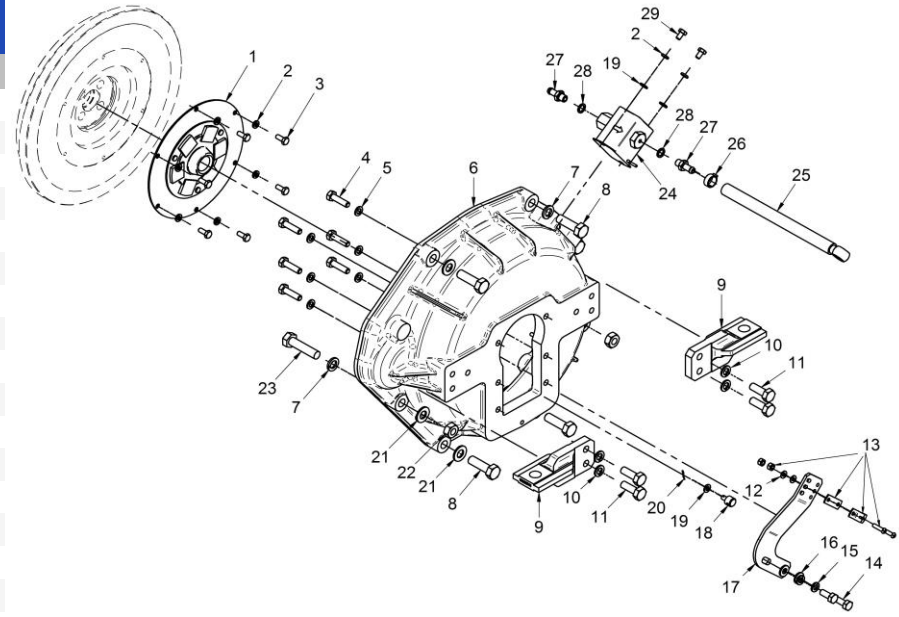


17710217 Kit GearBox PRM-150 (Without Oil Cooler)

FIG.	REF.	QTY	DESCR.	FROM	UPTO
1	14710070	1	Flexible coupling type A D. 185		
2	53033006	6	Washer GROWER DIN 127-6		
3	52102156	6	Bolt DIN 933 M6-16 8.8		
4	52101259	6	Bolt DIN 931 M8-30 8.8		
5	53038008	6	Washer DIN 6798-A 8		
6	17210009	1	Bell Housing,GearBox		
7	53033012	3	Washer Grower DIN 127-12		
8	52202361	4	Bolt DIN 933 M12-1,25-40 8.8		
9	17210011	2	Rear Bracket MINI-33/44 TMC60		09/07/2015
9	17210030	2	Rear Bracket, PRM-150	09/07/2015	
10	53033010	6	Washer GROWER DIN 127-10		
11	52102309	6	Bolt DIN 933 M10-30 8.8		
12	51030005	2	Washer DIN 125-5		
13	24810913	1	Clamp,CABLE		
14	52102257	2	Bolt DIN 933 M8-20 8.8		
15	53033008	2	Washer GROWER DIN 127-8		
16	51030008	2	Washer DIN 125-8		
17	24880901	1	Bracket, GearBox Control		
18	14719115	1	Coupling,cable		
19	51030006	5	Washer DIN 125-6		
20	51051107	1	Pin DIN-94 1,6-16		
21	53038012	5	Washer DIN 6798-A 12		
22	52120012	2	Nut DIN 934 M12 8.8		
23	52101363	2	Bolt DIN 931 M12-50 8.8		
24	13814070	1	Electric Fuel Feed Pump 12V		
25	17714002	1	Pipe, Pump TO Filter		
26	51086015	1	One Ear Clamp With Interior Ring 13-15,3		
27	13814072	2	Straight Hose Connector 1/8" NPTF		
28	57000361	2	Washer 10-14-1,5		
29	52102154	2	Bolt DIN 933 M6-10 8.8		
NS	58088283	2	Pastic Cable Zip Tie [NS]		
NS	58088284	1	Pastic Cable Zip Tie [NS]		
NS	58088282	2	Pastic Cable Zip Tie [NS]		
NS	60900126	1	TERMINAL [NS]		



[NS] Not shown