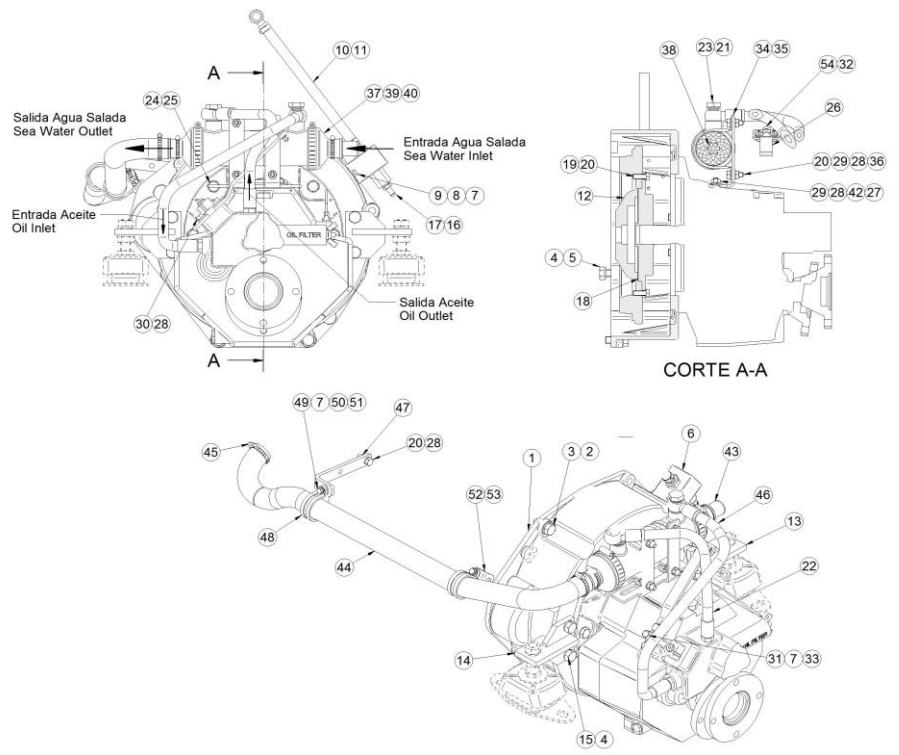


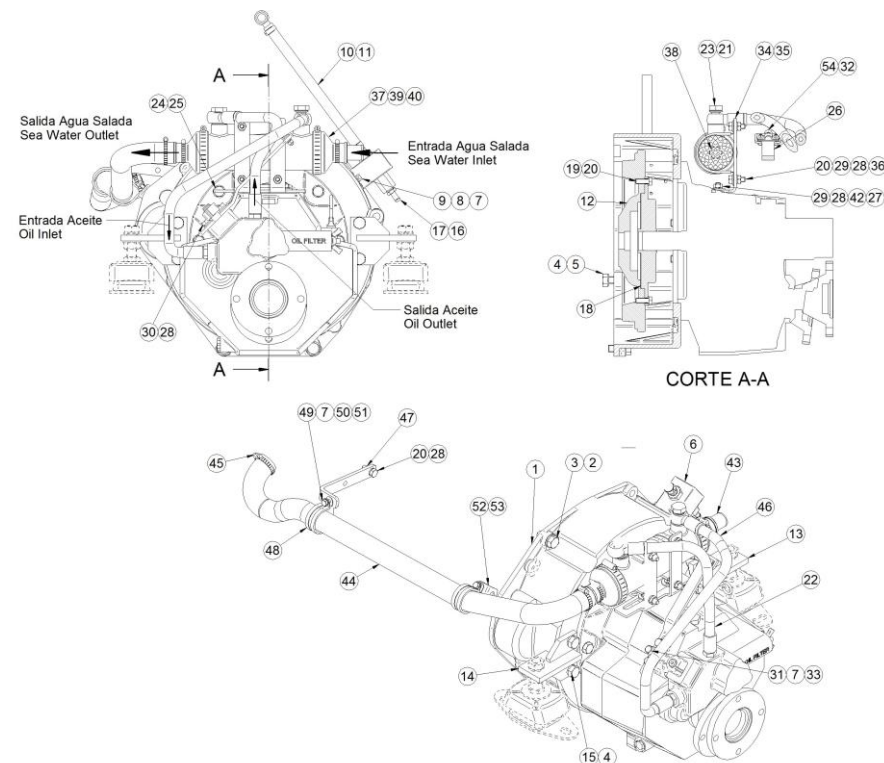
**17710211V6 Kit GearBox TM-345/A**

FIG.	REF.	QTY	DESCR.	FROM	UPTO
1	13410018	1	SAE 7,adaptor flange		
2	53038012	4	Washer DIN 6798-A 12		
3	52202359	3	Bolt DIN 933 M12-1,25-30 8.8		
4	53033012	6	Washer Grower DIN 127-12		
5	52102358	2	Bolt DIN 933 M12-25 8.8		
6	13814070	1	Electric Fuel Feed Pump 12V		
7	51030006	7	Washer DIN 125-6		
8	53033006	2	Washer GROWER DIN 127-6		
9	52102154	2	Bolt DIN 933 M6-10 8.8		
10	13814012	1	Pipe		
11	51086015	1	One Ear Clamp With Interior Ring 13-15,3		
12	17322027.1MEC	1	Mechanized Flywheel [NP]		
13	17010003	1	Bracket		
14	17010004	1	Bracket		
15	52102359	4	Bolt DIN 933 M12-30 8.8		
16	57000361	2	Washer 10-14-1,5		
17	13814072	2	Straight Hose Connector 1/8" NPTF		
18	17210071	1	Flexible Coupling Type B SAE 6"1/2		
19	53038008	6	Washer DIN 6798-A 8		
20	52102257	11	Bolt DIN 933 M8-20 8.8		
21	59031017	4	Washer		
22	17012024	1	Pipe		
23	14712015	2	Bolt,Coupling pipe oil		
24	53038010	5	Washer DIN 6798-A 10		
25	52102307	5	Bolt DIN 933 M10-20 8.8		
26	18619020	1	Bracket,Gear box control		
27	12120018	2	Stud		
28	53033008	9	Washer GROWER DIN 127-8		
29	52120008	6	Nut DIN 934 M8 8.8		
30	52102256	2	Bolt DIN 933 M8-16 8.8		
31	14719115	1	Coupling,cable		
32	51030005	2	Washer DIN 125-5		
33	51051107	1	Pin DIN-94 1,6-16		
34	18012041	1	Bracket,TM93/170 oil cooler		
35	59072604	2	Clamp		



[NP] Not provided  
[NS] Not shown

17710211V6		Kit GearBox TM-345/A			
FIG.	REF.	QTY	DESCR.	FROM	UPTO
36	51030008	6	Washer DIN 125-8		
37	15212007	2	Water Cooler Cover		
38	1A012051	1	Cooler,oil		
39	54082050	2	Clamp DIN 3017 50-70/12 W4		
40	54081020	2	Clamp DIN 3017 20-32/9 W4		
42	51031008	2	Washer DIN 9021 8		
43	17711004	2	Outlet Coupling		
44	M87502535	1	Water Intake Hose (HQ) D. 25-33		
45	54081023	2	Clamp DIN 3017 23-35/9 W4		
46	17512017	1	Pipe, rev.oil Cooler		
47	17711007	1	Hose Support		
48	51071373	2	Clamp 31-40/15 W1		
49	52102157	2	Bolt DIN 933 M6-20 8.8		
51	52120006	2	Nut DIN 934 M6 8.8		
52	17711008	1	Hose Support 90°		
54	24810913	1	Clamp,CABLE		
NS	51031006	2	Washer DIN 9021 6 [NS]		
NS	60900126	1	TERMINAL [NS]		



[NP] Not provided