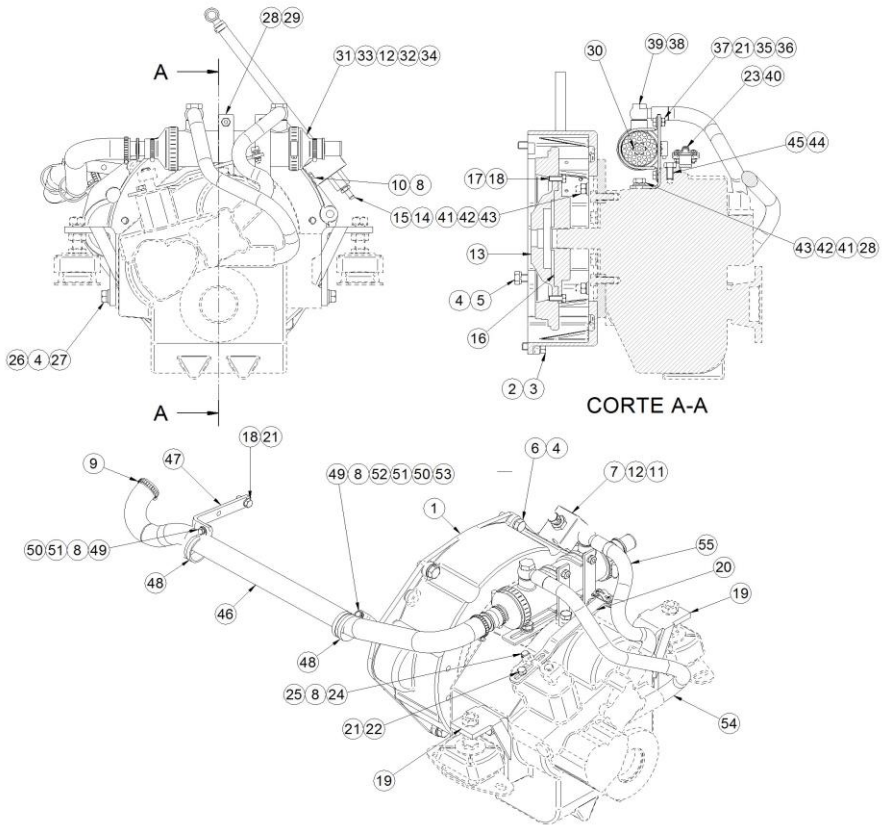


17710200 Kit GearBox TM-93

FIG.	REF.	QTY	DESCR.	FROM	UPTO
1	13410018	1	SAE 7,adaptor flange		
2	53038012	3	Washer DIN 6798-A 12		
3	52202359	3	Bolt DIN 933 M12-1,25-30 8.8		
4	53033012	7	Washer Grower DIN 127-12		
5	52102358	2	Bolt DIN 933 M12-25 8.8		
6	52202361	1	Bolt DIN 933 M12-1,25-40 8.8		
7	13814070	1	Electric Fuel Feed Pump 12V		
8	51030006	5	Washer DIN 125-6		
9	54081023	2	Clamp DIN 3017 23-35/9 W4		
10	52102154	2	Bolt DIN 933 M6-10 8.8		
11	13814012	1	Pipe		
12	51086015	1	One Ear Clamp With Interior Ring 13-15,3		
13	17322027.1	1	Flywheel		
14	57000361	2	Washer 10-14-1,5		
15	13814072	2	Straight Hose Connector 1/8" NPTF		
16	17210071	1	Flexible Coupling Type B SAE 6"1/2		
17	53038008	6	Washer DIN 6798-A 8		
18	52102257	7	Bolt DIN 933 M8-20 8.8		
19	17310001	2	Bracket Rear		
20	18619020	1	Bracket,Gear box control		
21	53033008	6	Washer GROWER DIN 127-8		
22	52102258	1	Bolt DIN 933 M8-25 8.8		
23	24810913	1	Clamp,CABLE		
24	14719115	1	Coupling,cable		
25	51051107	1	Pin DIN-94 1,6-16		
26	51030012	4	Washer DIN 125-12		
27	52102359	4	Bolt DIN 933 M12-30 8.8		
28	13912041	1	Bracket,TM Oil Cooler		
29	59072604	2	Clamp		
30	1A012051	1	Cooler,oil		
31	15212007	2	Water Cooler Cover		
32	17711004	2	Outlet Coupling		
33	54082050	2	Clamp DIN 3017 50-70/12 W4		
34	54081020	2	Clamp DIN 3017 20-32/9 W4		
35	51030008	4	Washer DIN 125-8		



[NS] Not shown

17710200		Kit GearBox TM-93			
FIG.	REF.	QTY	DESCR.	FROM	UPTO
36	52102256	4	Bolt DIN 933 M8-16 8.8		
37	52120008	4	Nut DIN 934 M8 8.8		
38	59031017	4	Washer		
39	14712015	2	Bolt,Coupling pipe oil		
40	51030005	2	Washer DIN 125-5		
41	51030010	8	Washer DIN 125-10		
42	53033010	8	Washer GROWER DIN 127-10		
43	52120010	8	Nut DIN 934 M10 8.8		
44	56000061	1	Washer 10-16-1,5		
45	52202307	1	Bolt DIN 933 M10-1,25-20 8.8		
46	M87502535	0,905	Water Intake Hose (HQ) D. 25-33		
47	17711007	1	Hose Support		
48	51071373	2	Clamp 31-40/15 W1		
49	52102157	2	Bolt DIN 933 M6-20 8.8		
50	53033006	2	Washer GROWER DIN 127-6		
51	52120006	2	Nut DIN 934 M6 8.8		
52	17711008	1	Hose Support 90°		
53	51031006	1	Washer DIN 9021 6		
54	17112024	1	Pipe, rev.oil Cooler		
55	17112017	1	Pipe, rev.oil Cooler		
NS	58088283	2	Pastic Cable Zip Tie [NS]		
NS	60900126	1	TERMINAL [NS]		

