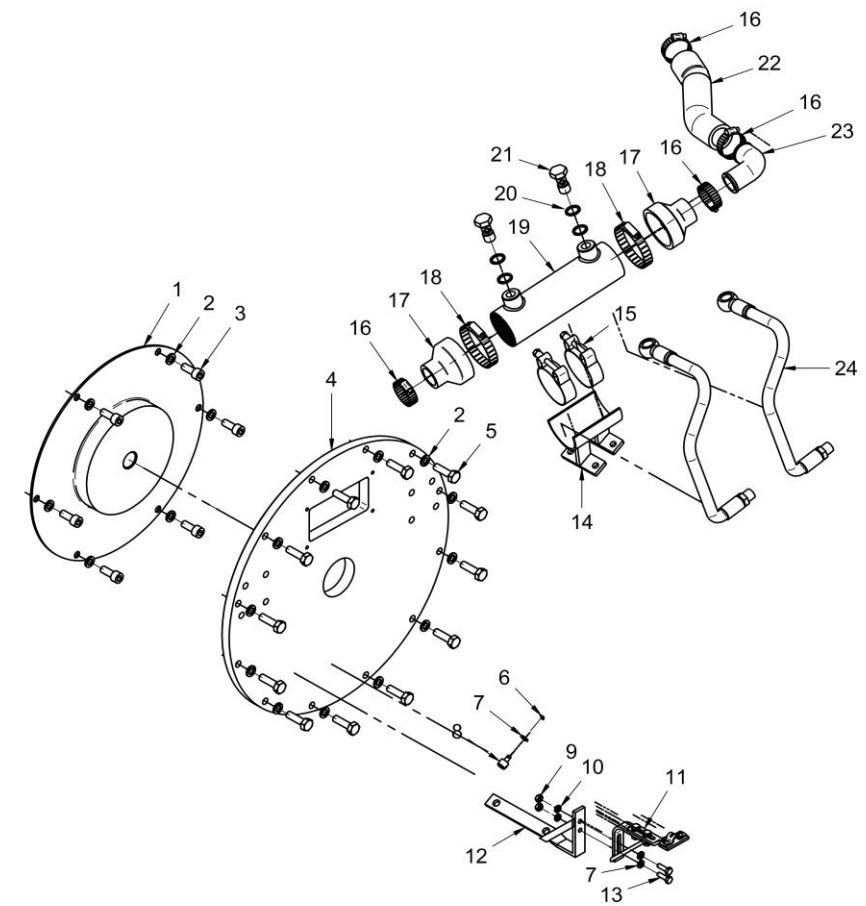


17510225 Kit GearBox PRM-500

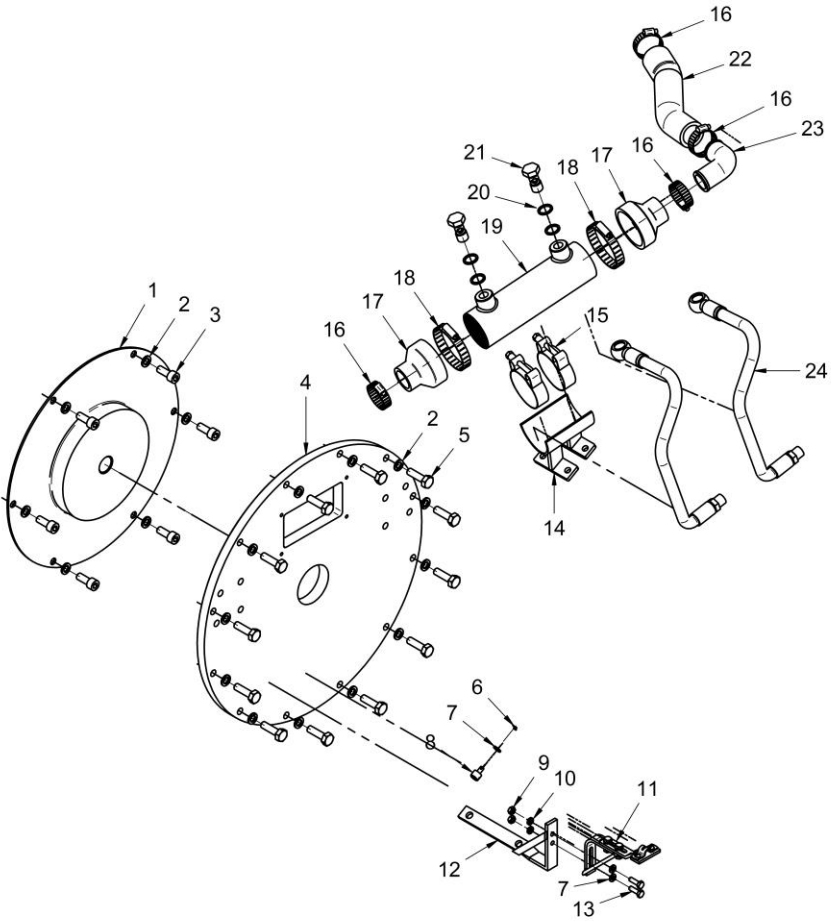
FIG.	REF.	QTY	DESCR.	FROM	UPTO
1	24610022	1	Damper		
2	53033010	20	Washer GROWER DIN 127-10		
3	52103308	8	Bolt DIN 912 M10-25 8.8		
4	24230022	1	Adaptor Flange. PRM-302 SAE 3		
5	52102310	12	Bolt DIN 933 M10-35 8.8		
6	51051107	1	Pin DIN-94 1,6-16		
7	51030006	6	Washer DIN 125-6		
8	14719115	1	Coupling,cable		
9	52120006	2	Nut DIN 934 M6 8.8		
10	53033006	2	Washer GROWER DIN 127-6		
11	12119000	1	Assy Bracket,morse control		
12	16519023	1	Bracket,morse rev.PRMINI-302/402		
13	52102157	2	Bolt DIN 933 M6-20 8.8		
14	16512050	1	Oil Cooler,bracket		
15	51083060	2	GP Clamp 59-63 W2		
16	54082025	5	Clamp DIN 3017 25-40/12 W4		
17	15312007	2	Water Cooler Cover		
18	54082050	2	Clamp DIN 3017 50-70/12 W4		
19	1A012051	1	Cooler,oil		
20	59031017	4	Washer		
21	14712015	2	Bolt,Coupling pipe oil		
22	18011020	1	Pipe		
23	15212022	1	Elbow		
24	18512022	2	Pipe		
NS	18011026	1	Pipe [NS]		
NS	53033008	4	Washer GROWER DIN 127-8 [NS]		
NS	24260003	1	Tenon Red. 1/2-3/8 [NS]		
NS	52102257	4	Bolt DIN 933 M8-20 8.8 [NS]		
NS	56000083	1	Washer 21-26-1,5 [NS]		
NS	24260001	1	Reducing Sleeve 3/8-1/2 [NS]		
NS	52301309	2	Bolt DIN 931 W7/16-30 8.8 [NS]		
NS	53033011	2	Washer GROWER DIN 127-11 [NS]		
NS	M87503040	1,16	Water Intake Hose (HQ) D. 30-38 [NS]		
NS	51030008	4	Washer DIN 125-8 [NS]		
NS	58088281	2	Pastic Cable Zip Tie [NS]		



[NS] Not shown



17510225 Kit GearBox PRM-500					
FIG.	REF.	QTY	DESCR.	FROM	UPTO
NS	53033012	8	Washer Grower DIN 127-12 [NS]		
NS	52120008	4	Nut DIN 934 M8 8.8 [NS]		
NS	24260002	1	Reducing Sleeve 3/8-3/4 [NS]		



[NS] Not shown

17222