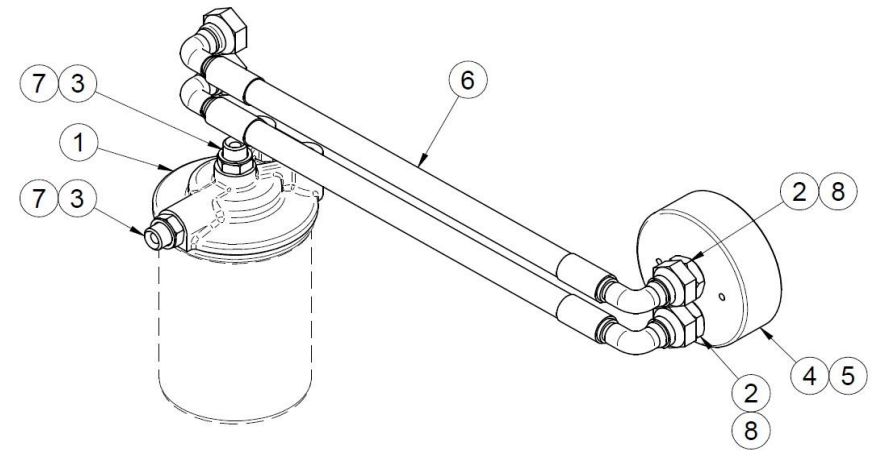


17412015		Kit Remote Oil Filter (1m)			
FIG.	REF.	QTY	DESCR.	FROM	UPTO
1	17412015.02	1	Cover [NP]		
2	17412015.06	2	Tenon 1/2-1/2		
3	18614012	2	Racord		
4	17412015.01	1	Oil Remote filter Adaptator		
5	17412015.03	1	Remote Oil Filter Gasget		
6	17412015.04	2	Remote Oil Hose		
7	56000077	2	Washer 18-23-1,5		
8	56000081	2	Washer 20-26-1,5		



[NP] Not provided