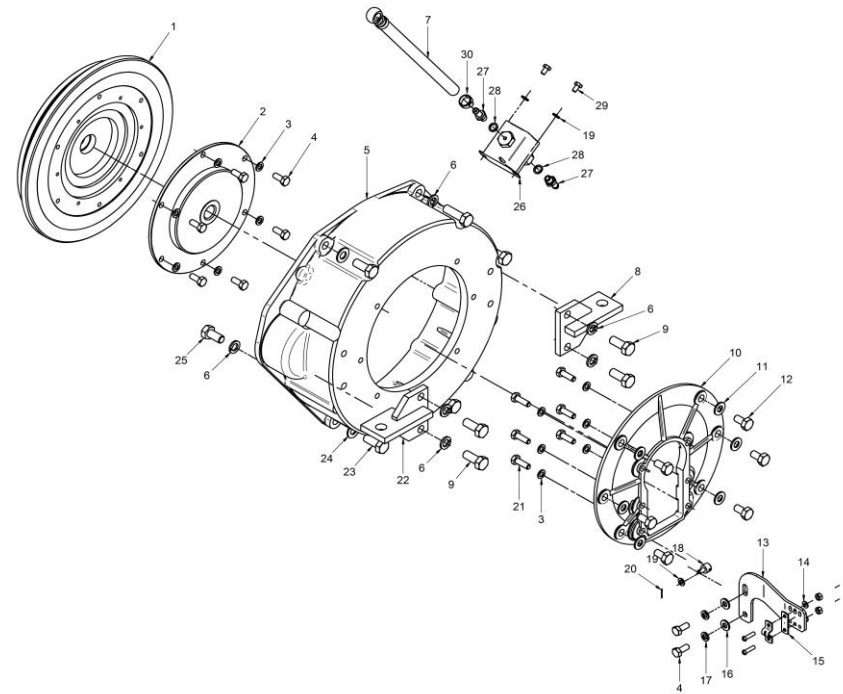


**17310244 Kit GearBox TMC-260**

FIG.	REF.	QTY	DESCR.	FROM	UPTO
1	17322027.1MEC	1	Mechanized Flywheel [NP]		
2	17210071	1	Flexible Coupling Type B SAE 6"1/2		
3	53038008	12	Washer DIN 6798-A 8		
4	52102257	8	Bolt DIN 933 M8-20 8.8		
5	13410018	1	SAE 7,adaptor flange		
6	53033012	6	Washer Grower DIN 127-12		
7	13814012	1	Pipe		
8	17010003	1	Bracket		
9	52102359	4	Bolt DIN 933 M12-30 8.8		
10	24890021	1	BW housing coupling TMC		
11	53038010	6	Washer DIN 6798-A 10		
12	52102307	6	Bolt DIN 933 M10-20 8.8		
13	24880901	1	Bracket, GearBox Control		
14	51030005	2	Washer DIN 125-5		
15	24810913	1	Clamp,CABLE		
16	51030008	2	Washer DIN 125-8		
17	53033008	2	Washer GROWER DIN 127-8		
18	14719115	1	Coupling,cable		
19	51030006	2	Washer DIN 125-6		
20	51051107	1	Pin DIN-94 1,6-16		
21	52102258	6	Bolt DIN 933 M8-25 8.8		
22	17010004	1	Bracket		
23	52202359	3	Bolt DIN 933 M12-1,25-30 8.8		
24	53038012	3	Washer DIN 6798-A 12		
25	52102358	2	Bolt DIN 933 M12-25 8.8		
26	13814070	1	Electric Fuel Feed Pump 12V		
27	13814072	2	Straight Hose Connector 1/8" NPTF		
28	57000361	2	Washer 10-14-1,5		
29	52102154	2	Bolt DIN 933 M6-10 8.8		
30	51086015	1	One Ear Clamp With Interior Ring 13-15,3		
NS	58088283	2	Pastic Cable Zip Tie [NS]		
NS	5103A006.1	1	Washer DIN 988-6 1MM [NS]		
NS	24890026	2	Cover [NS]		
NS	60900126	1	TERMINAL [NS]		



[NP] Not provided  
 [NS] Not shown