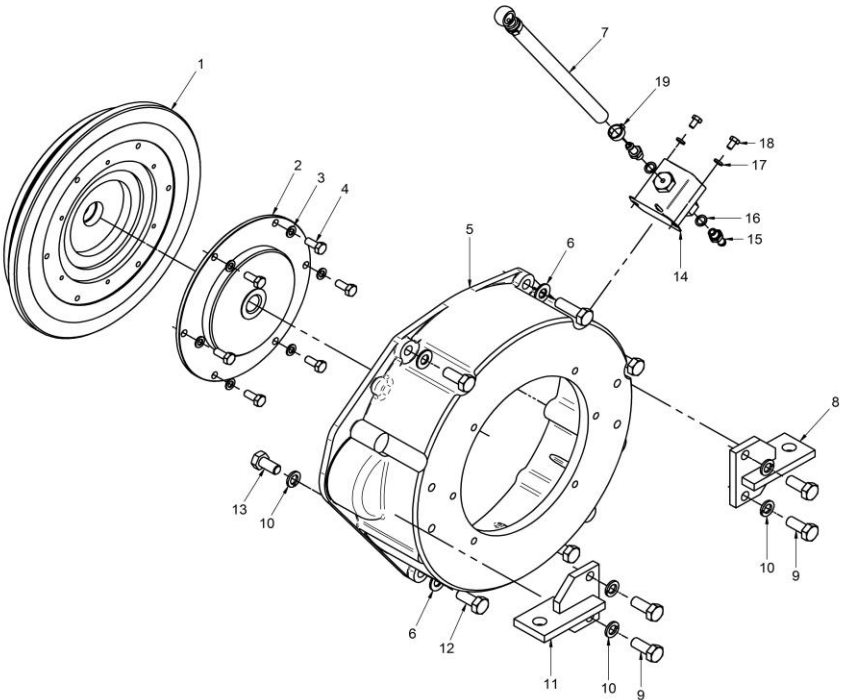


17310220 Kit GearBox BW (Without Oil Cooler)

FIG.	REF.	QTY	DESCR.	FROM	UPTO
1	17322027.1MEC	1	Mechanized Flywheel [NP]		
2	17210071	1	Flexible Coupling Type B SAE 6"1/2		
3	53038008	6	Washer DIN 6798-A 8		
4	52102257	6	Bolt DIN 933 M8-20 8.8		
5	13410018	1	SAE 7,adaptor flange		
6	53038012	5	Washer DIN 6798-A 12		
7	13814012	1	Pipe		
8	17010004	1	Bracket		
9	52102359	4	Bolt DIN 933 M12-30 8.8		
10	53033012	8	Washer Grower DIN 127-12		
11	17010003	1	Bracket		
12	52202359	3	Bolt DIN 933 M12-1,25-30 8.8		
13	52102358	2	Bolt DIN 933 M12-25 8.8		
14	13814070	1	Electric Fuel Feed Pump 12V		
15	13814072	2	Straight Hose Connector 1/8" NPTF		
16	57000361	2	Washer 10-14-1,5		
17	53033006	2	Washer GROWER DIN 127-6		
18	52102154	2	Bolt DIN 933 M6-10 8.8		
19	51086015	1	One Ear Clamp With Interior Ring 13-15,3		
NS	58088283	2	Pastic Cable Zip Tie [NS]		
NS	60900126	1	TERMINAL [NS]		



[NP] Not provided
 [NS] Not shown