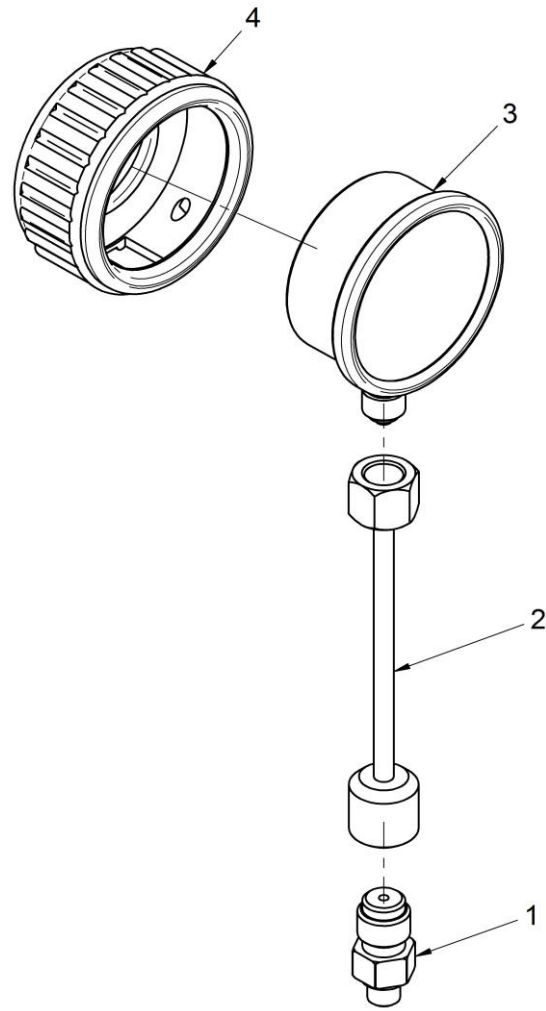


13812010 Pressure Gauge Kit 10 BAR						
FIG.	REF.	QTY	DESCR.	FROM	UPTO	
1	13812013.1	1	Pressure Tap			
2	13812011	1	Flexible Hose F-M G1/4-M16x2			
3	13812012	1	Pressure Gauge 0-10 bar [NP]			
4	13812014	1	Protective Rubber			



[NP] Not provided