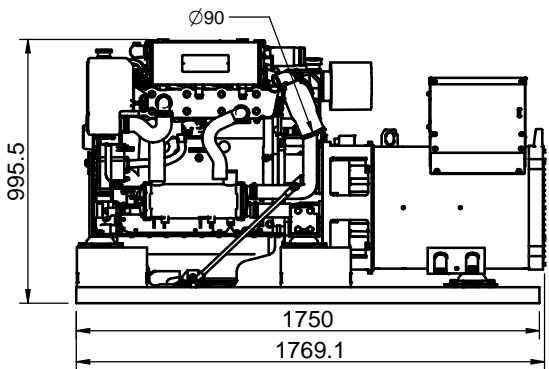
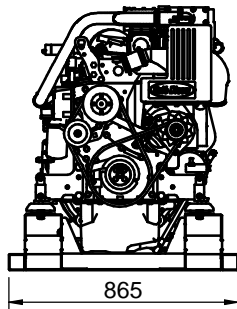


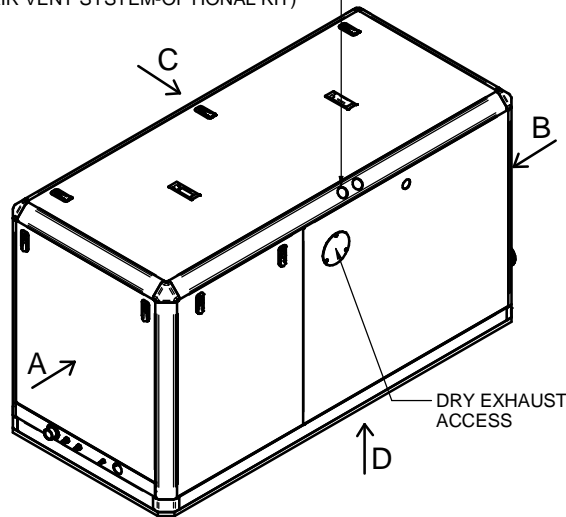
SIPHON BREAK CONNECTIONS
(AIR VENT SYSTEM-OPTIONAL KIT)



(115 GT / 120 GTA)

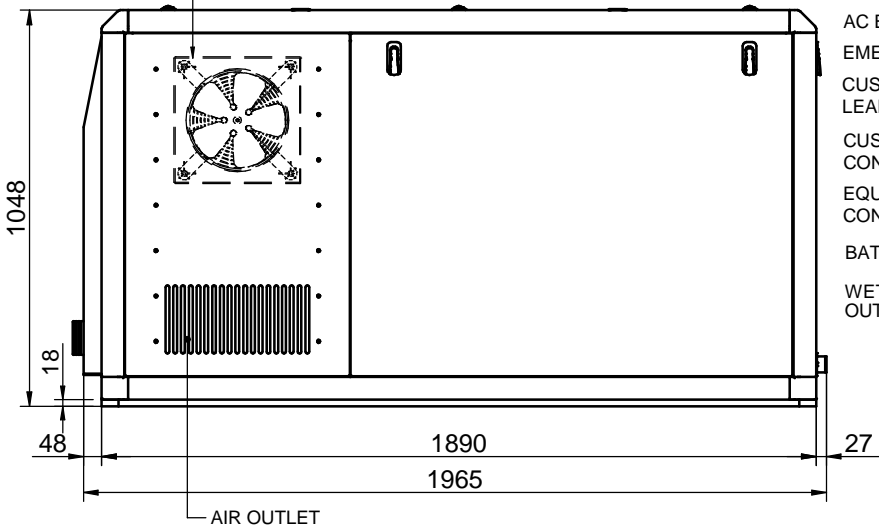


865



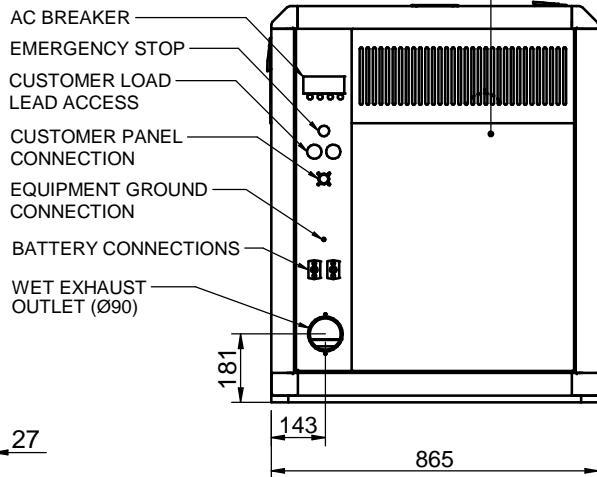
(115 GTC / 120 GTAC)

FAN INSIDE VIEW C



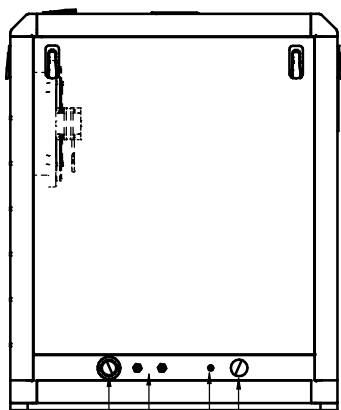
AIR OUTLET

GENERATOR AIR INLET VIEW B



- AC BREAKER
- EMERGENCY STOP
- CUSTOMER LOAD
- LEAD ACCESS
- CUSTOMER PANEL CONNECTION
- EQUIPMENT GROUND CONNECTION
- BATTERY CONNECTIONS
- WET EXHAUST OUTLET (Ø90)

VIEW A



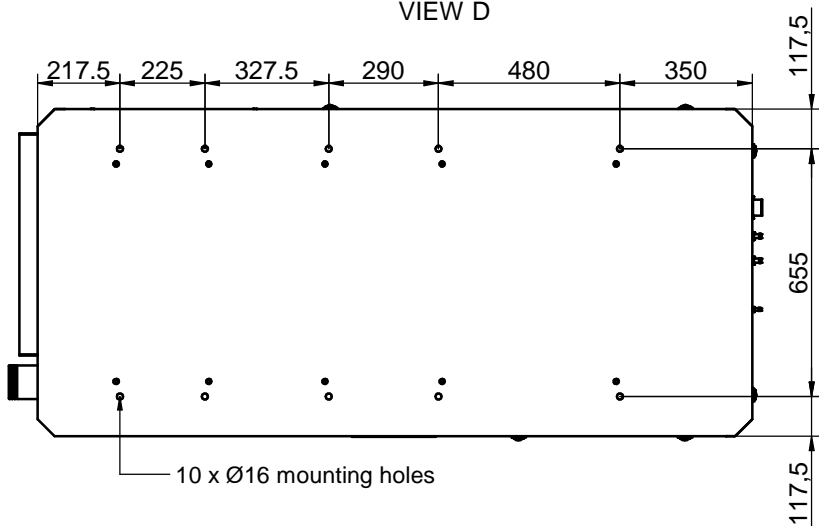
SEA WATER OUTLET (Ø42)
(ONLY DRY EXHAUST)

LEAKS COOLANT OUTLET (Ø8)

FUEL INLET/
OUTLET (Ø12)

SEA WATER
INLET (Ø42)

VIEW D



10 x Ø16 mounting holes

GRUPO 115 GT-115 GTC / 120 GTA-120 GTAC
GENSET 115 GT-115 GTC / 120 GTA-120 GTAC

MATERIAL ACABADO TRATAMIENTO PRESENTACIÓN ESCALA

DIBUJADO XAVIER VERIFICADO S.UBACH GRADO PRECISIÓN FECHA CREACIÓN 01/03/2013 ÚLTIMA REVISIÓN



SOLÉ, S.A.

GIBG/GIMG

A