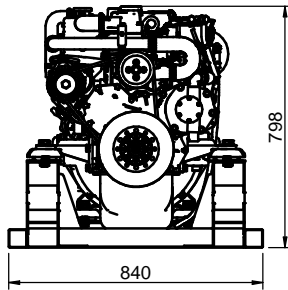
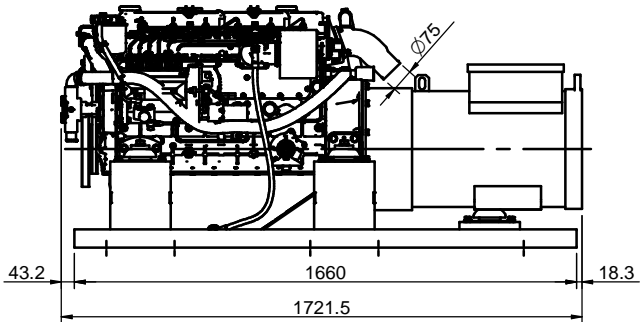
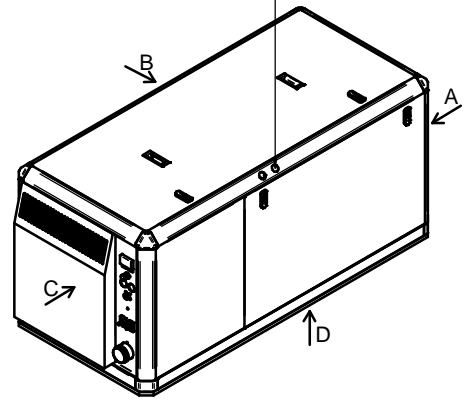


SIPHON BREAK CONNECTIONS  
(AIR VENT SYSTEM-OPTIONAL KIT)

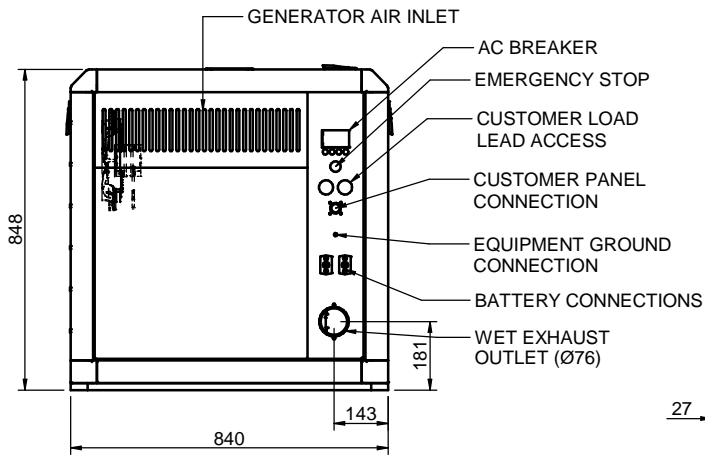


(50 GT / 60 GTA)



(50 GTC / 60 GTAC)

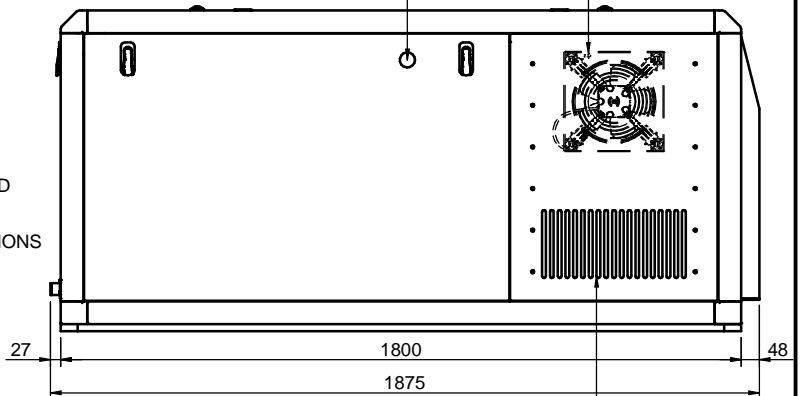
VIEW C



FIRE EXTINGUISHER  
ACCES HOLE

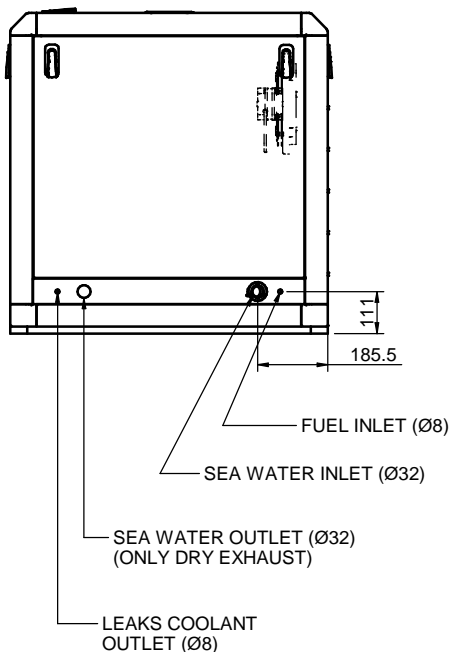
VIEW B

FAN INSIDE

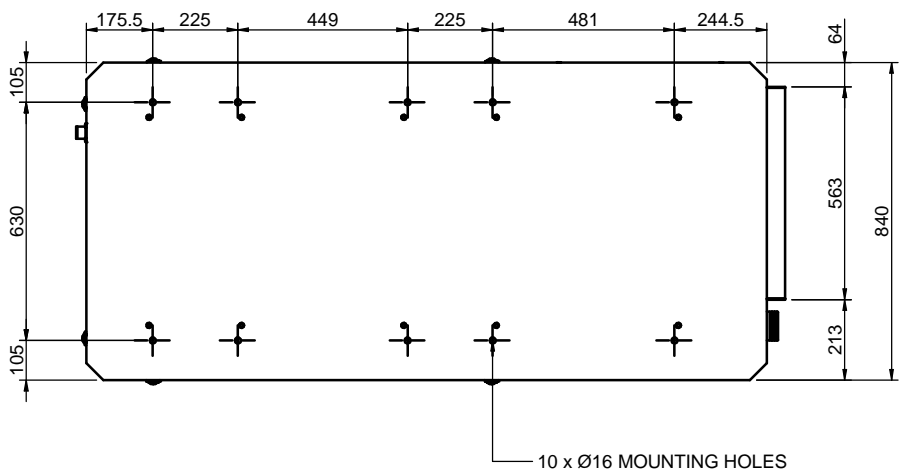


AIR OUTLET

VIEW A



VIEW D



10 x Ø16 MOUNTING HOLES

**GRUPO 50 GT-50 GTC / 60 GTA-60 GTAC**

**GENSET 50 GT-50 GTC / 60 GTA-60 GTAC**

MATERIAL	ACABADO	TRATAMIENTO	PRESENTACION	ESCALA
----------	---------	-------------	--------------	--------

DIBUJADO XAVIER	VERIFICADO S.UBACH	GRADO PRECISION	FECHA CREACION 01/03/2013	ULTIMA REVISION
--------------------	-----------------------	-----------------	------------------------------	-----------------



**SOLÉ, S.A.**

**Ghaf/GHMF**