



SM-94

Inboard Engine Base Mitsubishi

4 cylinders in line 93.8 HP (69 kW) 2500 rpm

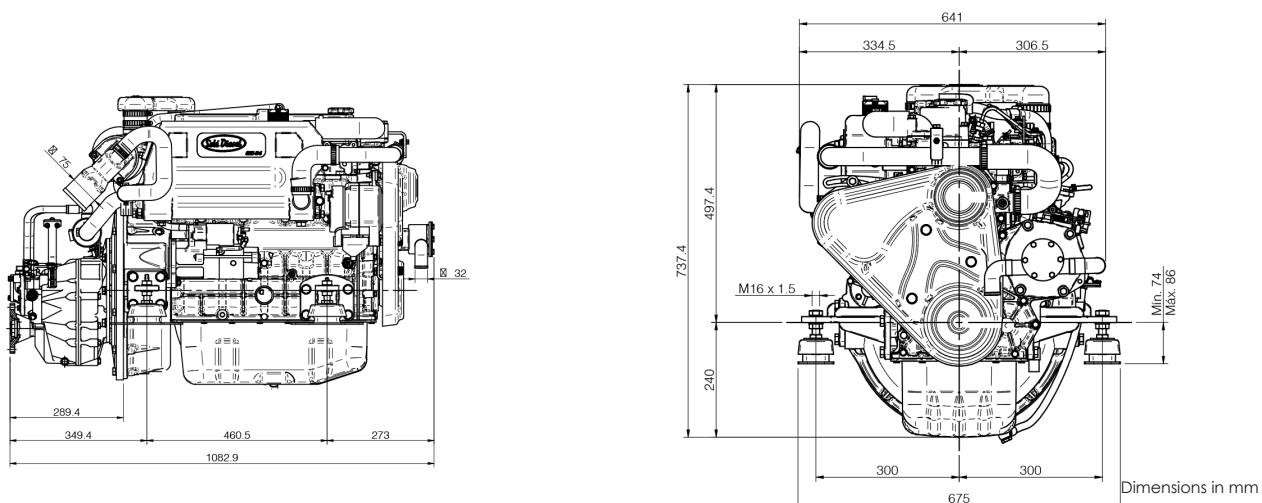


Technical Specifications

Base	Mitsubishi
Type	Diesel 4 Stroke Cycle
Number of Cylinders	4 in line
Intake System	Turbocharger
Bore x Stroke	94 mm x 120 mm (3,7 in x 4,72 in)
Total Displacement	3331 cc
Compression Ratio	19:1
Intermittent Power (ISO3046/1)	93.8 HP (69 kW)
Continuous Power	84.5 HP (62.1 kW)
Rated RPM	2500
Combustion System	Direct mechanical injection
Starter Motor	12 V (2,2 kW)
Alternator	95 A 12 V
Engine Max Installation Angle	Max static angle 12° (+ 3° in operation)
Direction of Rotation (Crankshaft)	Anti Clockwise
Cooling System	Sea water cooled heat exchanger
Dry Weight (bobtail)	303 Kg (668 Lbs)
Water Hose (Inside Diameter)	32 mm (1,26 in)
Fuel Feed Hose (Inside Diameter)	8 mm (0,31 in)
Fuel Return Hose (Inside Diameter)	0 mm (0 in)
Exhaust hose (inside Diameter)	76 mm (2,99 in)
Certifications	EU: RCD II (Directive 2013/53/EU)

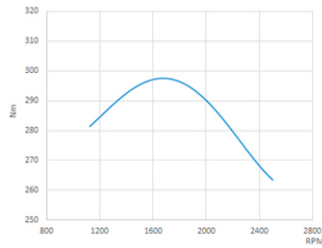
Dimensions

SM-94 TM-345

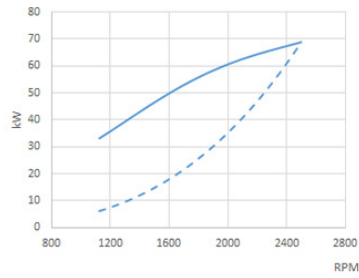


Performance Curves

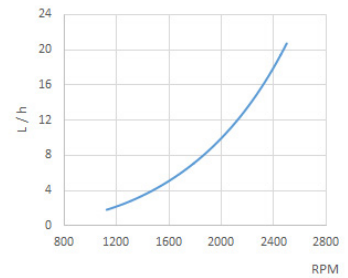
Crankshaft torque



Power (ISO 3046/1)



Fuel Consumption



— Engine Power

- - - Propeller Power

Panels

SVT 30 Standard



Tachometer including hour meter

Coolant Temperature Gauge

Pre-heating Pilot Light

Low Battery Alarm

High Temperature Alarm

Low Oil Pressure Alarm

5 Positions Key

Oil Pressure Gauge

Voltmeter

Dimensions: 255 x 160 mm



SVT 40 Doble Panel

Tachometer including hour meter

Pre-heating Pilot Light

Low Battery Alarm

High Temperature Alarm

Low Oil Pressure Alarm

5 Positions Key

Dimensions: 205 x 155 mm

Accessories

Scope of Supply

Packaging

Instrument Panel SVT 30

Extention Harness 4 m

Silentblocks

Sump Drain pump

Owner's Manual

Optional Equipment & Kits

We have a wide range of available accessories and kits.

Our technical department will calculate the propeller to optimize your engine

For additional information access our website

Gearbox

Model	Type	Down Angle	Reduction Ratio (Light Duty)	Reduction Ratio (Cont. Duty)	Engine Weight with Gearbox
TM-170	Hydraulic	0°	2.94:1	2.94:1	398 Kg (877 Lbs)
TM-345	Hydraulic	0°	2.00:1	-	355 Kg (782 Lbs)
TM-345A	Hydraulic	8°	2.00:1 - 1.54:1	-	355 Kg (782 Lbs)
TM-485A	Hydraulic	8°	1.51:1 - 2.4:1 - 2.09:1	1.51:1 - 2.4:1 - 2.09:1	362 Kg (798 Lbs)
TM-93	Hydraulic	0°	2.09:1 - 1.51:1 - 2.77:1 - 2.40:1	2.09:1 - 1.51:1 - 2.77:1 - 2.40:1	386 Kg (851 Lbs)
TM-93A	Hydraulic	8°	2.40:1 - 2.09:1 - 1.51:1	-	386 Kg (851 Lbs)
ZF 63 IV	V-Drive H.	0°	2.47:1-1.99:1-1.56:1-1,294:1	2.47:1-1.99:1-1.56:1-1,294:1	390 Kg (860 Lbs)

Authorized Dealer



solediesel.com - info@solediesel.com

Detailed drawings, brochures and manuals are available on the web. © 2017, Solé Diesel. All rights reserved. Technical specifications, data and presentation are subjected to variations, changes and updates without prior notice, and without any obligation or liability whatsoever. Text and illustrations are not binding.

