



MINI-33

Inboard Engine Base Mitsubishi

3 cylinders in line 31.4 HP (23.1 kW) 3000 rpm

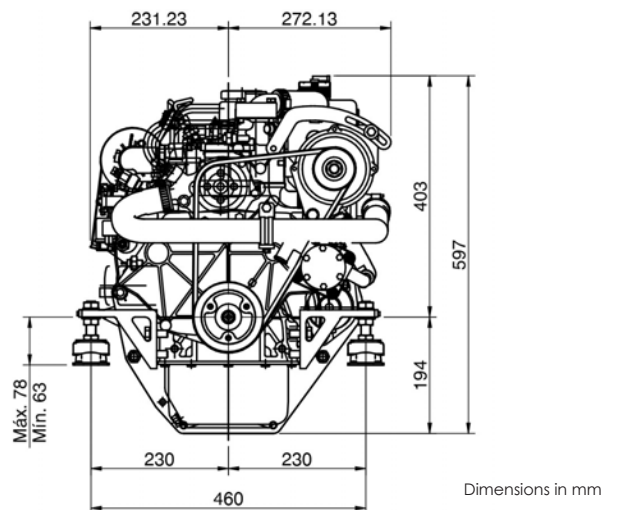
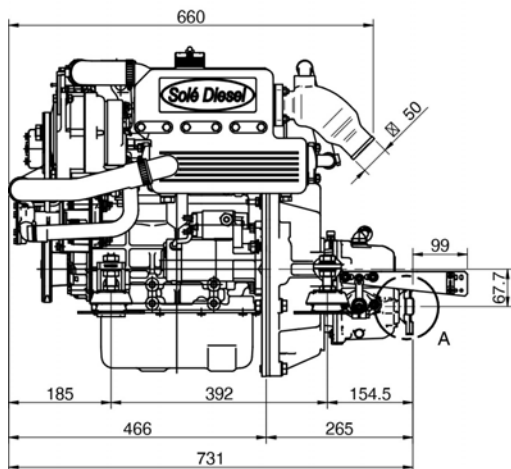


Technical Specification

Base	Mitsubishi
Type	Diesel 4 Stroke Cycle
Number of Cylinders	3 in line
Intake System	Atmospheric
Bore x Stroke	78 mm x 92 mm (3,07 in x 3,62 in)
Total Displacement	1318 cc
Compression Ratio	22:1
Intermittent Power (ISO3046/1)	31.4 HP (23.1 kW)
Continuous Power	28.3 HP (20.8 kW)
Rated RPM	3000
Combustion System	Indirect mechanical injection
Starter Motor	12 V (1,7 kW)
Alternator	95 A 12 V
Engine Max Installation Angle	Max static angle 12° (+ 3° in operation)
Direction of Rotation (Crankshaft)	Anti Clockwise
Cooling System	Sea water cooled heat exchanger
Dry Weight (bobtail)	147 Kg (324 Lbs)
Water Hose (Inside Diameter)	20 mm (0,79 in)
Fuel Feed Hose (Inside Diameter)	8 mm (0,31 in)
Fuel Return Hose (Inside Diameter)	5 mm (0,2 in)
Exhaust hose (inside Diameter)	50 mm (1,97 in)
Certification	EU: RCD II (Directive 2013/53/EU), BSO II, SOLAS

Dimensions

MINI-33 TMC-40P

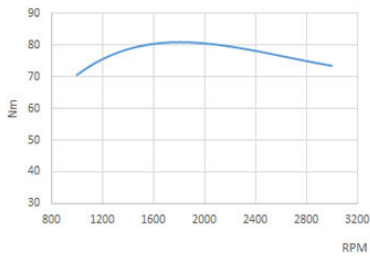


Dimensions in mm

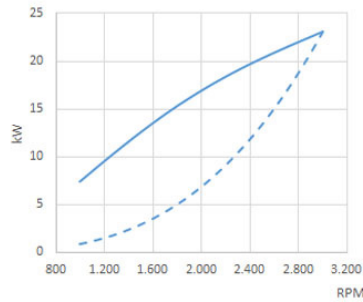


Performance Curves

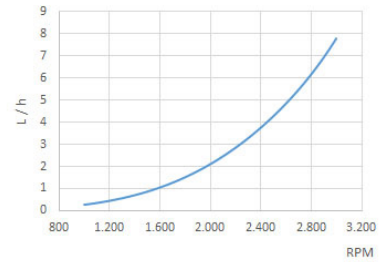
Crankshaft torque



Power (ISO 3046/1)



Fuel Consumption



— Engine Power - - - Propeller Power

Instrumentpanel

SVT 20 Standard



- Tachometer including hour meter
- Coolant Temperature Gauge
- Pre-heating Pilot Light
- Low Battery Alarm
- High Temperature Alarm
- Low Oil Pressure Alarm
- 5 Positions Key
- Dimensions: 205 x 155 mm



SVT 30 Optional

- Tachometer including hour meter
- Coolant Temperature Gauge
- Pre-heating Pilot Light
- Low Battery Alarm
- High Temperature Alarm
- Low Oil Pressure Alarm
- 5 Positions Key
- Oil Pressure Gauge
- Voltmeter
- Dimensions: 255 x 160 mm

Accessories

Scope of Supply

- Packaging
- Instrument Panel SVT 20
- Extension Harness 3 m
- Silentblocks
- Sump Drain pump
- Owner's Manual

Optional Equipment & Kits

- We have a wide range of available accessories and kits.
- Our technical department will calculate the propeller to optimize your engine
- For additional information access our website

Transmissionsalternativ

Model	Type	Down Angle	Reduction Ratio (Light Duty)	Reduction Ratio (Cont. Duty)	Engine Weight with Gearbox
SP60	Sail Drive	0°	2.14:1	-	196 Kg (432 Lbs)
TM-345	Hydraulic	0°	2.00:1 - 2.47:1	2.00:1 - 2.47:1	183 Kg (403 Lbs)
TM-345A	Hydraulic	8°	2.47:1 - 2.00:1	2.47:1 - 2.00:1	183 Kg (403 Lbs)
TMC-260	Mechanical	0°	2.88:1	2.88:1	172 Kg (379 Lbs)
TMC-40P	Mechanical	0°	2.00:1 - 1.45:1	1.45:1	159 Kg (350 Lbs)
TMC-60A	Mechanical	7°	2.00:1 - 2.45:1	2.00:1 - 2.45:1	166 Kg (366 Lbs)
TMC-60P	Mechanical	0°	2.45:1 - 2.00:1 - 2.83:1	2.45:1 - 2.00:1 - 2.83:1	166 Kg (366 Lbs)
ZF 15 MIV	V-Drive M.	15°	2.13:1	2.13:1	173 Kg (381 Lbs)

Authorized Dealer



solediesel.com - info@solediesel.com

Detailed drawings, brochures and manuals are available on the web. © 2017, Solé Diesel. All rights reserved. Technical specifications, data and presentation are subjected to variations, changes and updates without prior notice, and without any obligation or liability whatsoever. Text and illustrations are not binding.

