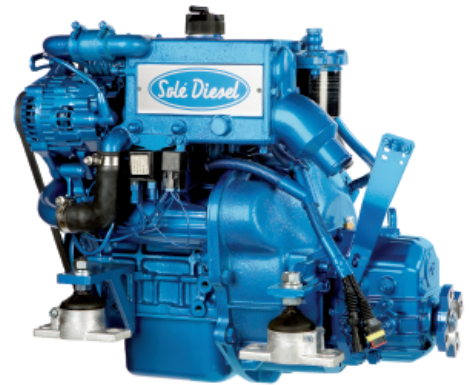




MINI-17

Inboard Engine Base Mitsubishi

2 cylinders · 16 HP (11,8 kW) at 3600 rpm



Technical Specifications

| | |
|------------------------------------|----------------------------------|
| Base | MITSUBISHI |
| Type | Diesel. 4 - Stroke Cycle |
| Number of Cylinders | 2 in line |
| Intake System | Naturally Aspirated |
| Bore and Stroke | 76 x 70 mm |
| Total Displacement | 635 cc |
| Compression Ratio | 23:1 |
| Intermittent Power (ISO 3046/1) | 16 HP (11,8 kW) |
| Continuous Power | 14,3 HP (10,5 kW) |
| Rated RPM | 3.600 |
| Combustion System | Indirect |
| Starter motor | 12 V (1,2 kW) |
| Alternator | 75 A |
| Engine. Max. Install. Angle | 30 Intermittent. 25 Continuous. |
| Direction of Rotation (Crankshaft) | Anti Clockwise (View from Stern) |
| Cooling System | Heat Exchanger cooled |
| Dry Weight | 90 Kg |
| Water Hose (Inside Diameter) | 20 mm |
| Fuel Feed Hose (Inside Diameter) | 8 mm |
| Fuel Return Hose (Inside Diameter) | 5 mm |
| Exhaust hose (inside Diameter) | 40 mm |
| Certifications | EU RCD / EPA TIER III / BSO II |

Gearbox

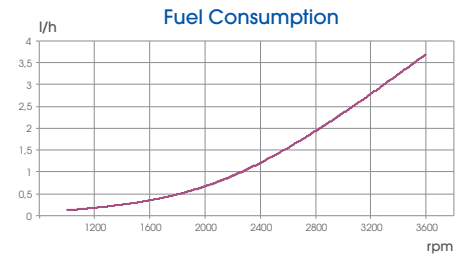
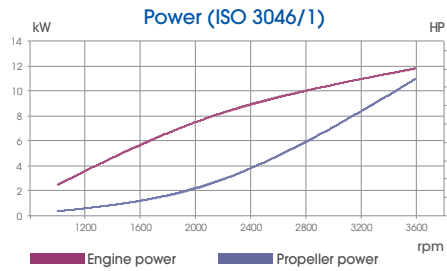
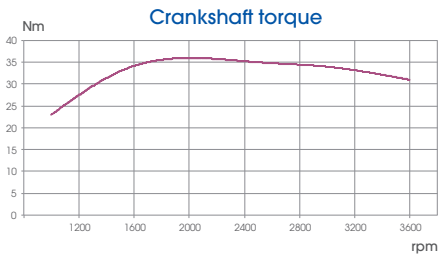
| Model | TMC40P | TMC-60A | SPROP 60 | ZF 15MIV |
|------------------------------|-----------------|-----------------|------------|--------------|
| Type | Mechanical | Mechanical | Mechanical | Mechanical V |
| Down Angle | - | 7° | - | 15° |
| Reduction Ratio (Pleasure) | 2,00:1 - 2,60:1 | 2,00:1 - 2,45:1 | 2,15:1 | 2,13:1 |
| Reduction Ratio (Cont. Duty) | 2,00:1 - 2,60:1 | 2,00:1 - 2,45:1 | - | 2,13:1 |
| Engine Weight with Gearbox | 98 Kg | 103 Kg | 145 Kg | 120 Kg |



www.solediesel.com

Detailed drawings, brochures and manuals are available on the web. © 2015, Solé Diesel. All rights reserved. Technical specifications, data and presentation are subjected to variations, changes and updates without prior notice, and without any obligation or liability whatsoever. Text and illustrations are not binding.

Performance Curves



Instrument panel



Standard - TE2

- Tachometer
- Hour Meter
- Battery Warning Light
- Temperature Gauge
- Audible and visual alarm for low oil pressure and high engine temperature
- Key start / Stop
- Dimensions: 200 x 150 mm



Deluxe - TE3

- Tachometer
- Hour Meter
- Battery Warning Light
- Temperature Gauge
- Audible and visual alarm for low oil pressure and high engine temperature
- Voltmeter
- Oil Pressure Gauge
- Dimensions: 150 x 250 mm

Accessories

Standard Equipment

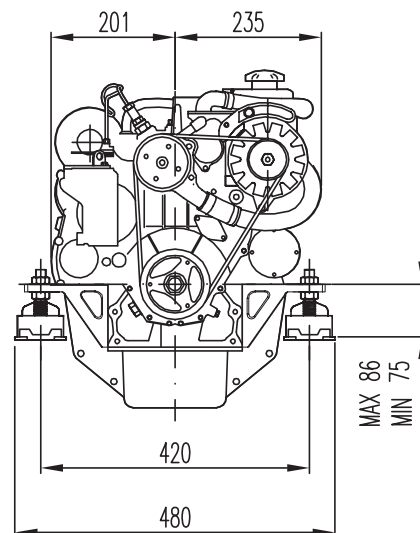
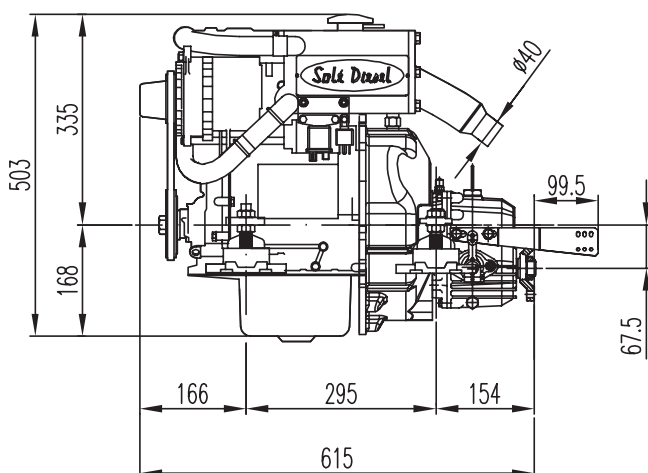
- Packaging
- Instrument Panel TE2
- 3m extension harness
- Anti Vibration Mounts
- Sump drain pump
- Owners manual

Optional Equipment

- We have a wide range of available accessories and kits.
- Our technical department will calculate the propeller to optimize your engine.
- For additional information access our website.

Dimensions

MNI-17 with TMC 40



Dimensions in mm

Authorized Dealer



SOLÉ, S.A. C-243 b, km 2, 08760 Martorell, Barcelona
Office Tel +34 93 775 14 00 - Fax +34 93 775 30 13

solediesel.com - info@solediesel.com

Detailed drawings, leaflets and manuals are available at solediesel.com. © 2015, Solé Diesel. All rights reserved. Texts and specifications are subject to change without notice and without any obligation or liability whatsoever.



ISO 9001
BUREAU VERITAS
Certification

