



MINI-29

Inboard Engine Base Mitsubishi

3 cylinders · 27,2 HP (20 kW) at 3600 rpm



Technical Specifications

Base	MITSUBISHI
Type	Diesel. 4 - Stroke Cycle
Number of Cylinders	3 in line
Intake System	Naturally Aspirated
Bore and Stroke	76 x 70 mm
Total Displacement	952 cc
Compression Ratio	22:1
Intermittent Power (ISO 3046/1)	27,2 HP (20 kW)
Continuous Power	24,5 HP (18 kW)
Rated RPM	3.600
Combustion System	Indirect
Starter motor	12 V (1,1 kW)
Alternator	40 A
Engine. Max. Install. Angle	30 intermittent. 25 continuous.
Direction of Rotation (Crankshaft)	Anti Clockwise (View from Stern)
Cooling System	Heat Exchanger cooled
Dry Weight	107 Kg
Water Hose (Inside Diameter)	20 mm
Fuel Feed Hose (Inside Diameter)	8 mm
Fuel Return Hose (Inside Diameter)	5 mm
Exhaust hose (inside Diameter)	50 mm
Certifications	EU RCD / EPA TIER III / BSO II

Gearbox

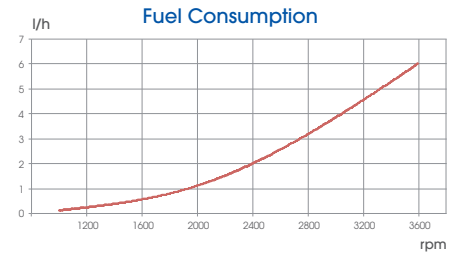
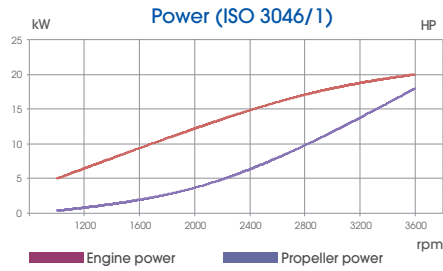
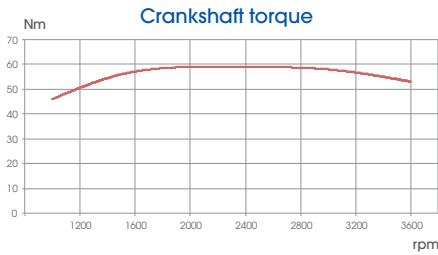
Model	TMC40	TMC60	TTMC35A2	SPROP 60	TM345	TM345A	ZF 15MIV
Type	Mechanical	Mechanical	Mechanical	Mechanical	Mechanical	Mechanical	Mechanical V
Down Angle	-	-	7°	-	-	8°	15°
Reduction Ratio (Pleasure)	2,00:1 - 2,60:1	2,00:1 - 2,45:1 - 2,83:1	2,33:1	2,15:1	2,00:1 - 2,47:1	2,00:1 - 2,47:1	2,13:1
Reduction Ratio (Cont. Duty)	2,00:1 - 2,60:1	2,00:1 - 2,45:1 - 2,83:1	2,33:1	-	2,00:1 - 2,47:1	2,00:1 - 2,47:1	2,13:1
Engine Weight with Gearbox	120 Kg	125Kg	122 Kg	151 Kg	157 Kg	156 Kg	133 Kg



www.solediesel.com

Detailed drawings, brochures and manuals are available on the web. Solé Diesel © 2012. Technical specifications, data and presentation are subjected to variations, changes and updates without prior notice. Text and illustrations are not binding.

Courbes de Performances



Instrument panel



Standard - TE2

- Tachometer
- Hour Meter
- Battery Warning Light
- Temperature Gauge
- Audible and visual alarm for low oil pressure and high engine temperature
- Key start / Stop
- Dimensions: 180 x 150 mm



Deluxe - TE3

- Tachometer
- Hour Meter
- Battery Warning Light
- Temperature Gauge
- Audible and visual alarm for low oil pressure and high engine temperature
- Voltmeter
- Oil Pressure Gauge
- Dimensions: 150 x 250 mm

Accessories

Standard Equipment

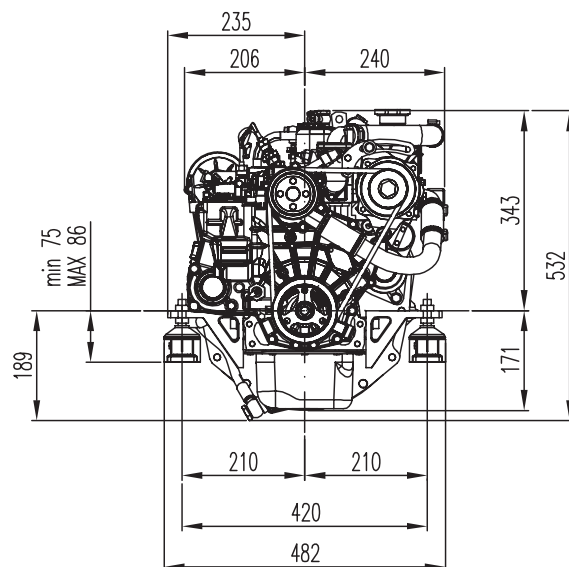
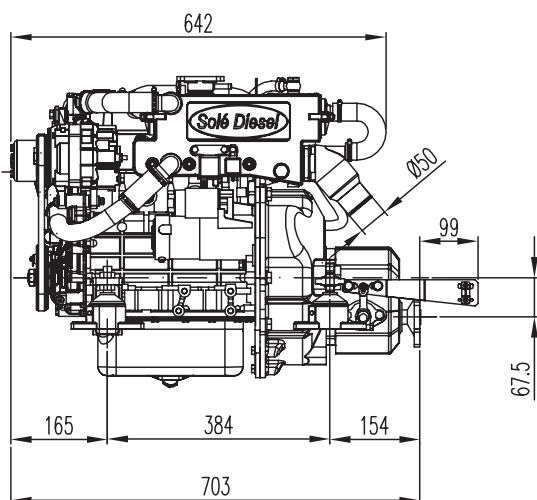
- Packaging
- Instrument Panel TE2
- 3m extension harness
- Anti Vibration Mounts
- Sump drain pump
- Owners manual

Optional Equipment

- We have a wide range of available accessories and kits.
- Our technical department will calculate the propeller to optimize your engine.
- For additional information access our website.

Dimensions

MNI-29 with TMC 40



Dimensions in mm

Authorized Dealer

Sole Diesel SOLÉ, S.A. C-243 b, km 2. 08760 Martorell. Barcelona.

Office tel. +34 93 775 14 00 - Fax +34 93 775 30 13

www.solediesel.com - info@solediesel.com

Detailed drawings, brochures and manuals are available on the web. Solé Diesel © 2012. Technical specifications, data and presentation are subjected to variations, changes and updates without prior notice. Text and illustrations are not binding.

