



MARINE GENERATOR SET

4 GSCH

4,0 kVA (3,5 kW) 50 Hz

1-Phase



Features and Benefits

Compact, soundless and effective are what made **Solé Diesel** gensets the secure choice for comfort in nowadays boats.

The canopy built in multi-layer GRP - high density sound absorbing material and heat insulating foam lining. It provides a quiet and pleasant navigation, free of annoying noises and vibrations.

Solé Diesel engines, meet with the highest European emissions standards. Some certifications are available such as RRR, RMRS, and BV.

The presence in more than "50" countries since more than "60" years, is meaning of an efficiently, quick and professional After-sales service.

Models and Ratings

Model	kW	kVA	Voltage	Amps	Phase	Hz	Engine RPM
4 GSCH	3,5	4	230	17,4	1	50	3000

Sound Level, Size and Weight

Sound level (dB) ¹	Dimensions (mm)			Weight (Dry) (kg)
	Length	Width	height	
50 Hz				
54	631	394	543	83

¹ Full Load at 7 meters.

Ratings: Marine ratings per ISO 3046 (100 kPa barometric pressure, 30% relativity and 25 °C temperature)

ENGINE

Engine Specifications

Base	FARYMAN
Model	FA-6
Type	4 stroke
Cylinder	1
Displacement (cc)	290 cc
Bore and Stroke (mm)	82x55 mm
Compression ratio	20:01
Injection	Direct
Aspiration type	Naturally aspirated
Lube Oil capacity (L)	1,2
Oil Type	ACEA E5, API CH-4/SJ, 15W40
50 Hz	
RPM	3000
Power (Hp / kW)	5,8 / 4,3
Raw water flow (L/min)	8

Engine Electrical

Electrical System (V)	12
Starter Motor (kW)	1,2
Shutdown system	Electrical
Stop Solenoid type	ETS

Installation Details

Ø int. Exhaust Hose (mm)	40
Ø int. Raw Water Hose (mm)	12
Ø int. Fuel Supply Hose (mm)	8
Ø int. Fuel Return Hose (mm)	8
Max. Fuel lift (m)	1
Maximun instalation angle (°) ¹	15
Min. Battery capacity (Ah)	12V / 36 Ah

¹ In all directions

Typical fuel Consumption

	50 Hz
25%	0,4
50%	0,7
75%	1,1
100%	1,4

Diesel Liters/h at % load





MARINE GENERATOR SET

- ALTERNATOR

Alternator Details

Cooling sytem	Watercooled
Number of poles	2
Cos phi	0,875
Tropicalization	Standard
Excitation system	Brushless
Voltage regulation Accuracy ¹	± 1%
Standars	EN 60034-1, IEC 60034-1, ISO 8528-3
Frequency Regulation	Synchronous

¹ With load from 0 to 100%, speed variation from -2% up to +5%

Solé Diesel Panel - SPA 10

Dimensions: 169 x 94 x 50 mm
Weight: 300 g



- CONTROL PANEL SPA 10

General Description:

Remote control panel	14 Harness
Hour meter	Load Indicator
Automatic Shut-Off Device	

Automatic Shut Dows (SD)

Low Oil pressure
High Water Temperature

- SCOPE OF SUPPLY

- Hand crank
- Engine, Generator and Warranty Manuals
- SPA 10 Panel including 14 m harness
- 4 Anti vibration mounts
- Packing

- OPTIONAL ACCESSORIES

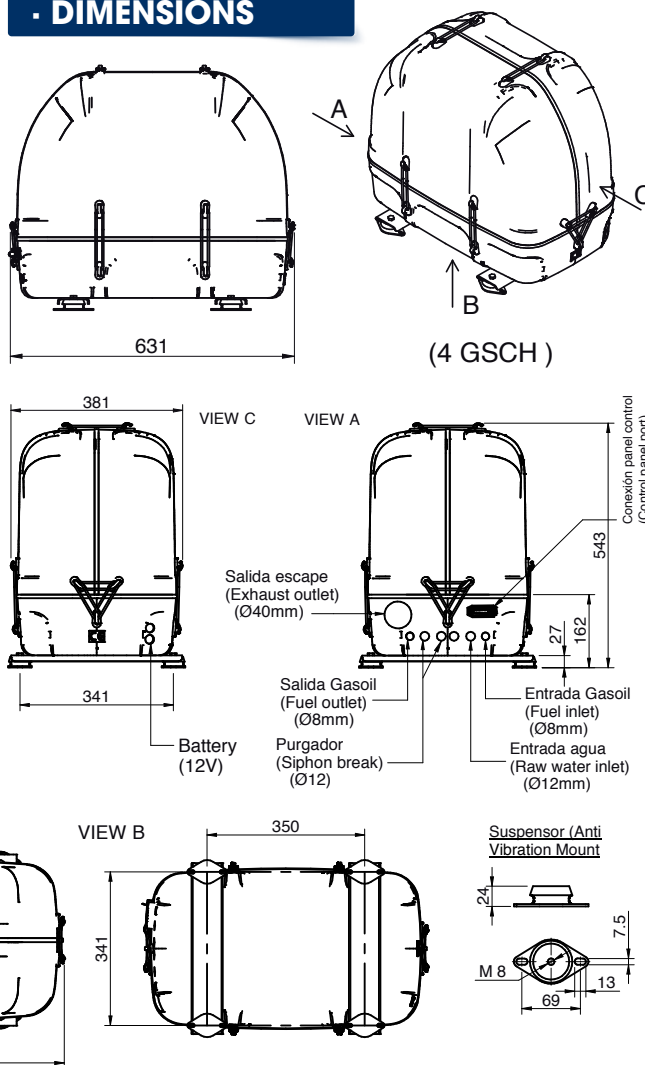
- Siphon break kit - mandatory if generator is below waterline
- Service/Cruise Kits: fuel and oil filters, raw water pump impeller, alternator belt...
- Exhaust System
- Fuel Filter/Water Separator. Gas/Water Separator
- Fuel, Exhaust and Raw water hoses
- Water Filters
- Sea cock

For other requirements please contact the Sales Dept.

Dimensions in millimetres.

This drawing is provided for reference only.

- DIMENSIONS



Distributed by:



SOLÉ, S.A. C-243 b, km 2. 08760 Martorell, Barcelona
Office Tel +34 93 775 14 00 - Fax +34 93 775 30 13

solediesel.com - info@solediesel.com

Detailed drawings, leaflets and manuals are available at solediesel.com. © 2015, Solé Diesel. All rights reserved. Texts and specifications are subject to change without notice and without any obligation or liability whatsoever.

